

witt

PICCOLO Rotante



EN: 2-20.
DK: 18-33
NO: 34-49
SE: 50-65
FI: 66-81
FR: 82-97
NL: 98-113
EE: 114-129
LV: 130-145
LT: 146-161
IS: 162-177

CE 2531-24

**UK
CA** 8504-24

TABLE OF CONTENTS

SAFETY INSTRUCTIONS	3
<i>Leak test</i>	4
<i>Gas cylinder connection</i>	5
<i>Disconnection of gas cylinder</i>	5
<i>Batteries</i>	6
TECHNICAL INFORMATION	7
OUTDOOR INSTALLATION GUIDE	8
<i>Assembly:</i>	9
USE OF THE PIZZA OVEN/IGNITION GUIDE	15
CLEANING AND MAINTENANCE.....	16
TROUBLESHOOTING	17
WARRANTY AND SERVICE	19

SAFETY INSTRUCTIONS

To reduce the risk of fire or other damage, read this safety guide carefully and in its entirety before using this appliance.



- **DO NOT USE THIS APPLIANCE BEFORE YOU READ THE INSTRUCTIONS FOR USE**
- **DO NOT PLACE** ITEMS ON OR AGAINST THIS APPLIANCE
- **DO NOT KEEP** CHEMICALS, FLAMMABLE MATERIALS OR SPRAY CANS NEAR THIS APPLIANCE
- **DO NOT USE** THIS APPLIANCE INDOORS
- **DO NOT ALLOW** FATS/OILS, ASHES OR UNBURNT FUEL TO BUILD UP IN THE APPLIANCE BETWEEN PERIODS OF USE.

- **WARNING:** the pizza oven parts can be very hot!
- Only for outdoors use. Never use the pizza oven in enclosed, covered rooms.
- Keep children and pets away from the appliance at all times.
- Do not move the appliance during use.
- Turn off the gas supply at the gas cylinder after using the appliance.
- Do not modify the appliance.
- Sealed original parts from the manufacturer may not be modified by the user.
- Always wear barbecue gloves when handling hot components.
- Do not store the appliance indoors unless the gas cylinder is disconnected. If the appliance is left unused for an extended period, it should be removed and stored in its original packaging in a dry storage place.

Note: the gas cylinder must always be stored outdoors in a place with good ventilation. A disconnected gas cylinder must not be stored in a building, garage or other enclosed area! Gas cylinders must be stored standing outdoors in a place inaccessible to children.

- **CAUTION:** Cleaning and maintenance must be carried out only when the oven has completely cooled and when the gas cylinder is disconnected.

- Never allow clothing or other flammable material to come into contact with or get too close to the burner or any hot surface until the appliance has cooled. The material can ignite and cause serious injury.
- Certain synthetics are highly flammable and should not be worn when using the oven. Loose garments or sleeves should not be worn when using the oven.
- The underside of the oven also reaches high temperatures. Do not place the pizza oven on plastic tables or other combustible surfaces, tablecloths or similar.
- The pizza oven is not intended for use on boats, in motor homes or caravans.
- Do not modify the pizza oven as it may cause personal injury or product damage.
- Unauthorised modifications to the pizza oven will also result in the lapse of the warranty.
- There must be nothing overhanging the pizza oven, such as trees or roofing structures.

LEAK TEST:

- **CHECK ALL GAS CONNECTIONS, CONNECTIONS AND JOINS ON THE APPLIANCE BEFORE USE:** Although the gas connections of the appliance have been tested for leakage before packing and shipping, a complete test must be performed at the installation site. If at any point you can smell gas, stop using the pizza oven immediately and check the entire system for leaks. Make a solution with a drop of liquid dishwashing detergent and a little water. You will need a spray bottle, brush or cloth to apply the solution to the fittings. Apply the soap solution to all gas fittings. There will be soap bubbles in the places where there is a leak. If there is a leak, turn off the gas supply immediately and tighten the leaking elements. Perform a leak test every time you change the gas tank, or after an extended period of time when the oven has not been in use.
- Make sure that the valve is properly positioned. Make sure the hose is not damaged.

IMPORTANT: if the gas leakage cannot be stopped, turn off the gas supply and contact customer service.

WARNING: NEVER turn on the burners while gas leak checks are carried out.

NOTE: since some test solutions, including soapy water, may cause rust, all connections must be rinsed with water once the leak test is completed.

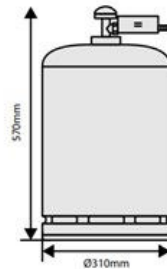
Gas cylinder connection:

- The gas supply or hose must comply with applicable requirements and must be regularly examined and replaced as necessary. The hose must comply with the EN16436 standard. The regulator must comply with the EN16129 standard.

DANGER: Do not use an adjustable pressure regulator (such as the type used for weed burners). Risk of explosion or combustion.

- The nominal output (gas pressure) is between 28-37 mbar, and 50 mbar in Germany, Austria and Switzerland.
- Worn or damaged hoses should be replaced. Check that the hose is not squeezed, split or in contact with the pizza oven, excepted at the place where it is connected.
- In some regions, the hose and regulator may not be supplied with the appliance.
- The hose for the appliance should not exceed 1.5 m.
- Connect the gas cylinder to the oven using the hose and regulator. Carefully tighten the nuts, but do not overtighten or twist. Be careful not to get to damage the regulator fittings. Make sure that ALL valves/buttons on the oven are on Off-position before opening the gas cylinder.
- The regulator hose must be kept at a distance from sharp objects and heat sources.
- Before replacing the gas cylinder: make sure the gas is turned off before disconnecting the hose and regulator from the bottle (not from the oven itself).
- Replace the flexible hose according to applicable national guidelines.
- Do not use a LPG cylinder that exceeds a maximum width of 310 mm and 570 mm height.

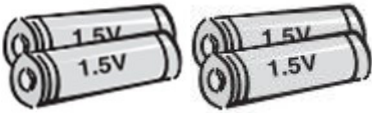
Leak tests: Once the hose and regulator are fitted and secured according to the instructions, the gas can be turned on. Then spray the joints with a water/soap mixture to check for any leaks.



NOTE: Make sure the gas cylinder is fully shielded from the oven.

Gas cylinder disconnection:

- When disconnecting gas cylinder: Make sure the oven on/off button is turned to the OFF position. Make sure the cylinder valve is in the closed position. Disconnect the regulator assembly from the gas cylinder and remove it. Be sure to keep the gas cylinder at least one metre from the oven to avoid risk of ignition.
- Requirements/rules for regulator and hose: the regulator used with your gas burner oven must be CE-approved and comply with applicable requirements and regulations.



Batteries:

- Dispose of batteries responsibly and keep them out of the reach of children in case they swallow them. **If a child swallows a battery, contact a doctor immediately!**
- Do not mix old batteries with new ones. This can cause batteries to overheat and leak.
- Non-rechargeable batteries should not be placed in a charger.
- Do not take apart, squeeze, puncture or damage batteries in any way. This can result in fractures or leaks.
- Maintain the durability of batteries by turning off the appliance and unplugging batteries when the appliance is not used — or expected to be used — for an extended period of time.
- Use the specific battery type (5 x AA batteries).
- Insert the batteries correctly. Make sure the poles (- and +) of the batteries are turned the right way.
- Remove exhausted batteries from the appliance immediately and dispose of them securely and correctly according to regulations. Do not throw batteries in the trash, they should be disposed of at the nearest recycling center.

TECHNICAL INFORMATION

Model number	Recipient country	Total heat supply	Burners	Injector/ Size label- ling	Categories	Gas types
Witt PICCOLO Rotante	BE, CH, CY,CZ, ES,FR, GB,GR,IE,IT,LT,LU,LV,PT, SI,SK,TR, IL	5,2kw	1	Φ 1.12mm	I 3+(28~30/37)	G30 Butane 28~30mbar G31 Propane 37mbar
	BE, BG, CY, CZ, DK, EE, FI, GB, HR, HU, IT, LT, LU, SI, MT, NL, NO, RO, SE, KE,IS	5,2kw	1	Φ 1.12mm	I 3B/P(30)	G30 Butane or G31 Propane 30mbar
	AT, CH, DE, SK	5,2kw	1	Φ 1.06mm	I 3P(50)	G31 Propane 50mbar
	PL	5,2kw	1	Φ 1.12mm	I 3P(37)	G30 Butane or G31 Propane 37mbar

Product Details	Witt PICCOLO Rotante
Dimensions	650 × 535 × 440
Weight NW/GW	19 / 26

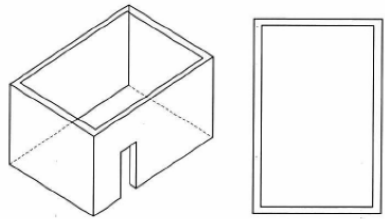
PIN CODE: 1336DO050

OUTDOOR INSTALLATION GUIDE

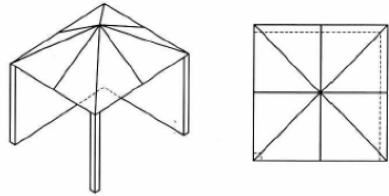
The pizza oven is intended exclusively for outdoor use and may only be used in a well-ventilated place, away from combustible materials. NEVER use the pizza oven indoors, in garages, porches, sheds or other enclosed areas. The pizza oven is not intended for use on boats, in motor homes or caravans and may not be placed near or below any surface which may burn or is heat sensitive. Do not block air supply and combustion around the pizza oven when in use. Adequate ventilation is necessary for the safe and proper function and efficiency of the pizza oven. It is also safer for the user and others in the area where the pizza oven is used. The pizza oven must NEVER be used in enclosed, covered spaces.

As illustrated below, the pizza oven must be installed outdoors in a place where it is open on at least two sides or from above. Importantly, with a possible gas leak, there is a possibility that the gas could get out and away so that an explosion does not occur.

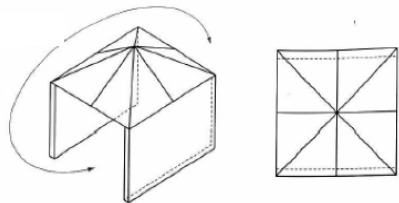
Example 1:
Ventilation from open roof and open door



Example 2:
Open in both sides: Front & Right

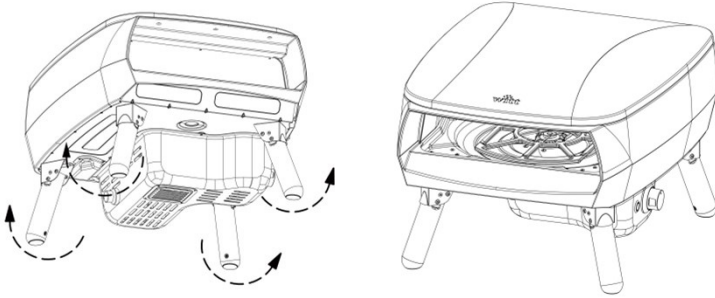


Example 3:
Open in both sides: Front & Back



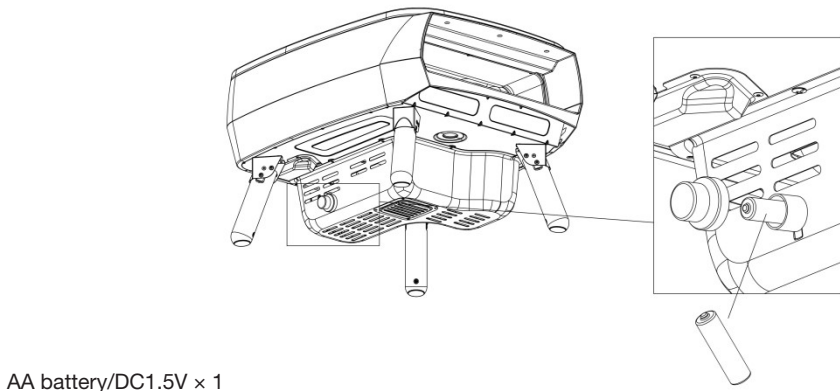
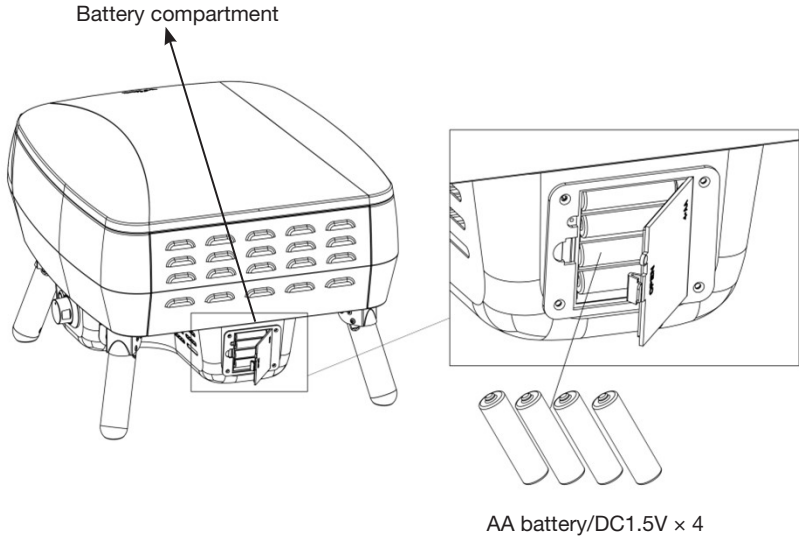
Assembly:

1. Unfold the legs completely and then stand the pizza oven (note that it weighs up to 19 kg).

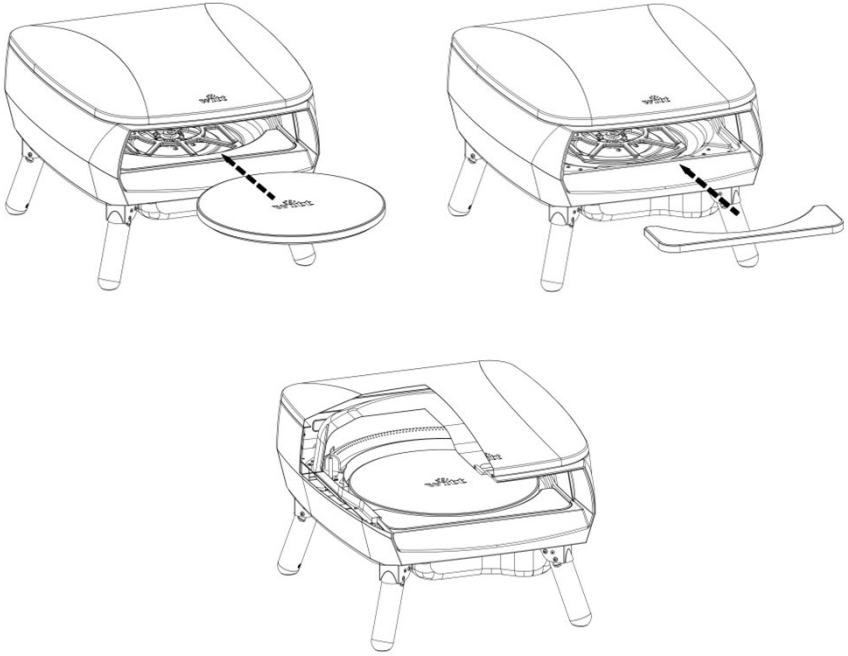


2. Unscrew the electronic ignition cover and insert an AA battery. Note the (+) and (-) markings in the battery compartment. Screw the cover back into place. Open the battery compartment. Insert four new AA batteries and place the batteries so that (+) and (-) are in the right direction in accordance with the indications.

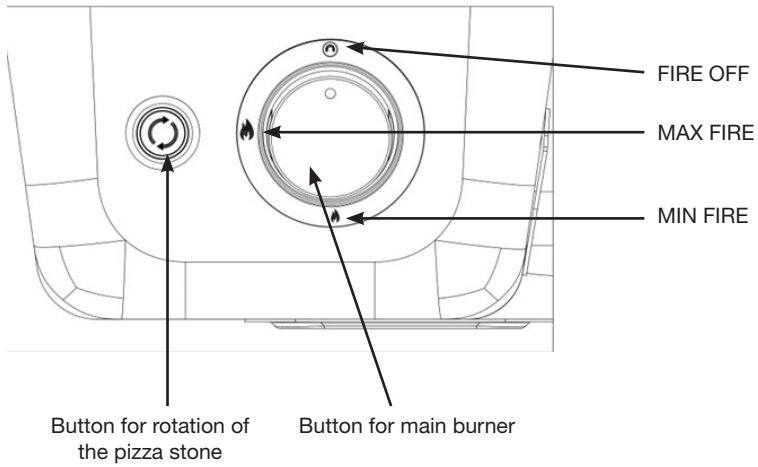
Close the battery compartment.



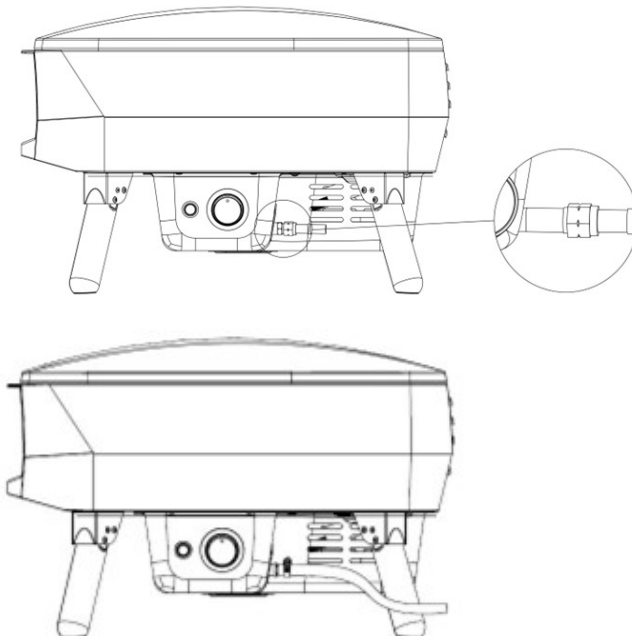
3. Remove the packaging from the pizza stone and fit to the pizza stone tray.



4. Make sure the burner buttons are in the OFF position before connecting the gas hose.



5. Connect the gas hose to the pizza oven.

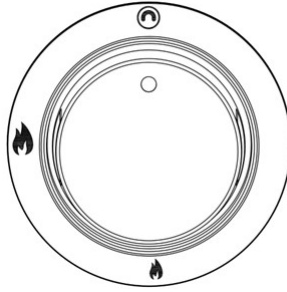


USE OF THE PIZZA OVEN / IGNITION GUIDE

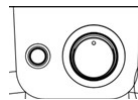
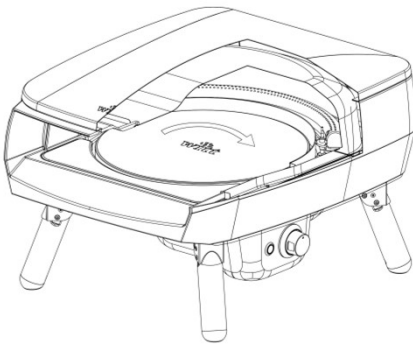
When the regulator is properly connected, the gas can be turned on.

Witt PICCOLO Rotante

To ignite the burner: depress and simultaneously turn the on/off button slowly counter-clockwise until you hear a click and the burner ignites. This will take about 8-10 seconds, as the gas has to travel through the burner pipe to the oven. Keep holding the on/off button in for additional 10 seconds after ignition and then release the button. Set the burner as desired. If the burner does not turn on, leave the button in the OFF position and wait five minutes before trying again.



Press the button to set the pizza stone rotating.



Symbol	Description
	Main burner
	Turnable rotation

CLEANING AND MAINTENANCE

Exterior:

- Make sure the pizza oven has cooled down and is safe to touch before cleaning the outside.
- Painted parts as well as plastic surfaces can be cleaned with mild soapy water and a clean cloth (do not use scouring or grease removal products or scouring pad).
- It is recommended to first test the detergent on a smaller area of the appliance. NEVER use paint diluters or similar solvents and NEVER pour cold water over warm surfaces.
- Wipe with a cloth.

Inside:

- Make sure the pizza oven has cooled down and is safe to touch before cleaning the inside.
- Remove the round pizza stone and front stone before cleaning
- To clean any stubborn dirt or grease, use a little baking soda on a wet sponge. Do not use scouring agents.

Pizza Stone:

- The pizza stone is intended exclusively for use in the Witt pizza oven, it is not intended for use over an open fire.
- The pizza stone is fragile and can break if it is knocked or dropped.
- The pizza stone gets very hot during use and stays warm for a long time after use.
- To clean the pizza stone, heat up the oven for approximately 30 minutes and you can remove residues from the pizza stone after cooling down fx. With the Witt pizza oven brush.
- The pizza stone and front stone should be stored dry between uses, as it does not tolerate moisture.

TROUBLESHOOTING

The burner will not ignite:

The gas valve is not on.	Turn on the valve.
The gas cylinder is empty.	Replace the gas cylinder with a new one.
The ignition button doesn't work.	Check the battery.
There is no spark on ignition.	Contact the service centre

The flame of the burner is irregular:

The flame burns inside the burner (whispering sound).	Turn off the burner and let it cool down. Then try to ignite once more.
The regulator is defective.	Contact the service centre
Injector is partially blocked.	Clean the injector with a toothbrush. Don't drill out and don't use wire/steel wire to remove blockages. Contact the service centre

Gas leak between joints:

Connections are loose.	Tighten loose connections (do not overtighten) and conduct a pressure leak test using soapy water (see the instructions 'Leak test' page 4).
The hose is damaged.	Replace the hose. (Contact service centre).
The gas valve is faulty.	Contact the service centre
Connections/joints are damaged.	Contact the service centre

The pizza stone does not rotate:

The pizza stone does not rotate.	Make sure that the cable from the power adapter is connected correctly and that the power is turned on. Make sure that the batteries are inserted correctly into the battery compartment. Check that the batteries are fully charged and replace them if necessary. To ensure that the front stone does not block rotation, the front must be pushed forward to the opening of the oven
The pizza stone is damaged.	Contact the service centre
Button/contact or cables are damaged.	Contact the service centre

WARRANTY AND SERVICE

IMPORTANT

The warranty includes materials and wages. When contacting the service department, please provide the name, serial number of the product, and complete the service form at

<https://service.witt.dk/service/da/witt/pizzaservice.aspx>.

This information can be found on the type sign. Write down the information in these instructions so that you have them at hand. This makes it easier for the service technician to find the correct spare parts.

During the warranty period, your pizza oven will be repaired by the Witt Authorised Service Centre, provided your pizza oven is delivered to and collected from the service centre, see the terms and conditions below.

WARRANTY

Two years

THE WARRANTY DOES NOT COVER:

1. Faults and damage that are not due to manufacturing or material issues
2. Normal, reasonable wear and tear (e.g., heat discolouring of grate/plates).
3. Product damage caused by pests.
4. If unoriginal spare parts are used.
5. If the instructions in the user's manual have not been followed.
6. If the device has not been set up/assembled as specified in the instructions
7. If non-professionals have installed or repaired the product.
8. Rust and tarnish.

TRANSPORT DAMAGE

If the product is damaged during transport and this is only discovered when the retailer delivers the product to the customer, this is exclusively a matter between the customer and the retailer. In cases where customers have transported the product themselves, the supplier shall not be liable for any potential damage during transport. Any damage caused during transport must be reported immediately and no later than 24 hours after the product has been delivered. If not, the customer's claim will be rejected.

COMMERCIAL PURCHASES

Commercial purchases are all purchases of devices that are not intended to be used in private households but instead intended to be used for commercial purposes (in restaurants, cafés, canteens, etc.) or intended to be hired out or otherwise used by multiple users in turn.

There is no warranty offered for commercial purchases, as this product is only intended for regular household use.

All requests for service:

EMAIL: service@wittpizza.dk

See more at: www.wittpizza.com

EC Declaration of Conformity:

Witt Hvidevarer A/S hereby confirm that the following accessory comply with all permanent and essential requirements as per the EU directive 2014/53. 1935/2004. Witt Hvidevarer A/S Gødstrup Søvej 9, DK-7400 Denmark. Witt US, LLC PO BOX: 1044, 800 State Route 11, Champlain, NY 12919, USA, Witt UK & Ireland Ltd. 4 Tannery House, Tannery Lane, Send, Working, Surrey, GU23 7EF. www.witt.dk

INDHOLDSFORTEGNELSE

SIKKERHEDSINSTRUKTIONER.....	19
<i>Lækagetest</i>	20
<i>Tilslutning af gasflaske</i>	21
<i>Frakobling af gasflaske</i>	21
<i>Batterier</i>	22
TEKNISKE OPLYSNINGER	23
UDENDØRS INSTALLATIONSGUIDE	24
<i>Montering:</i>	25
BRUG AF PIZZAOVNEN/TÆNDINGSVEJLEDNING	29
RENGØRING OG VEDLIGEHOLDELSE	30
FEJLFINDING	31
REKLAMATIONSRET OG SERVICE	32

SIKKERHEDSANVISNINGER

For at mindske risikoen for brand, brandfare eller anden skade, skal du læse denne sikkerhedsvejledning omhyggeligt og i sin helhed, inden du bruger dette apparat.



- **BETJEN IKKE** DETTE APPARAT, FØR DU HAR LÆST BRUGSANVISNINGEN
- **PLACER IKKE** GENSTANDE PÅ ELLER OP AD DETTE APPARAT
- **OPBEVAR IKKE** KEMIKALIER, BRÆNDBARE MATERIALER ELLER SPRAYDÅSER NÆR DETTE APPARAT
- **BRUG IKKE** DETTE APPARAT INDENDØRS
- **TILLAD IKKE** FEDTSTOFFER/OLIER, ASKE ELLER UFORBRÆNDT BRÆNDSTOF AT OPHOBES I APPARATET IMELLEM BRUG.

- ADVARSEL: pizzaovnens dele kan være meget varme!
- Kun til udendørs brug. Brug aldrig pizzaovnen i lukkede, overdækkede rum.
- Hold børn og kæledyr væk fra apparatet på alle tidspunkter.
- Flyt ikke apparatet under brug.
- Sluk for gasforsyningen ved gascylinderen efter brug af apparatet.
- Modifier ikke apparatet.
- Forseglede originaldele fra fabrikanten må ikke ændres af brugeren.
- Brug altid grillhandsker, når du håndterer varme komponenter.
- Opbevar ikke apparatet indendørs, medmindre gasflasken er koblet fra. Hvis apparatet står ubrugt i en længere periode, bør det fjernes og opbevares i dets originale emballage på et tørt opbevaringssted.

Bemærk: gasflasken skal altid opbevares udendørs på et sted med god ventilation. En frakoblet gasflaske må ikke opbevares i en bygning, en garage eller et andet lukket område! Gasflasker skal opbevares stående udendørs, utilgængeligt for børn.

- **FORSIGTIG:** Rengøring og vedligeholdelse skal først udføres, når ovnen er helt afkølet, og når gasflasken er frakoblet.

- Lad aldrig tøj eller andre brændbare stoffer komme i kontakt med eller for tæt på brænderen eller nogen varm overflade, indtil apparatet er afkølet. Stoffet kan antændes og forårsage alvorlig personskade.
- Visse syntetiske stoffer er yderst brandfarlige og bør ikke bæres under madlavning. Løse beklædningsgenstande eller ærmer bør aldrig bæres under brug af ovnen.
- Under pizzaovnen bliver temperaturen også meget høj. Anbring ikke pizzaovnen på borde af plast eller andre brændbare materialer, og anbring ikke pizzaovnen på en dug eller lignende.
- Pizzaovnen er ikke beregnet til brug ombord på en båd, i en autocamper eller campingvogn.
- Modifier ikke pizzaovnen, da det kan medføre person- eller produktskade.
- Uautoriserede ændringer af pizzaovnen medfører endvidere, at garantien bortfalder.
- Der må ikke være genstande over pizzaovnen, som f.eks. træer eller tagkonstruktioner.

LÆGKAGETEST:

- **KONTROLLER ALLE GASTILSLUTNINGER, FORBINDELSER OG SAMLINGER PÅ APPARATET INDEN BRUG:** Selvom apparatets gastilslutninger er testet for lækage før pakning og forsendelse, skal der udføres en komplet test på installationsstedet. Hvis du på noget tidspunkt kan lugte gas, skal du straks stoppe med at bruge pizzaovnen og kontrollere hele systemet for lækager. Lav en opløsning af en del flydende opvaskemiddel og en del vand. Du skal bruge en sprayflaske, børste eller klud for at påføre opløsningen på beslagene. Påfør sæbeopløsningen på alle gasbeslag. Der vil være sæbebobler de steder, hvor der er en lækage. Hvis der er en lækage, skal du straks slukke for gasforsyningen og stramme de beslag, der lækker. Udfør en lækagetest hver gang du skifter gastank, eller efter en længere periode uden brug af ovnen.
- Sørg for, at ventilen er korrekt positioneret. Sørg for, at slangen ikke er beskadiget.

VIGTIGT: hvis du ikke kan stoppe gaslækage, skal du slukke for gasforsyningen og kontakte kundeservice.

ADVARSEL: tænd ALDRIG for brænderne, mens der foretages gaslækagekontrol.

BEMÆRK: da nogle testopløsninger, herunder sæbevand, kan være let rustfremkaldende, skal alle tilslutninger skylles med vand, når lækagetesten er gennemført.

Tilslutning af gasflaske:

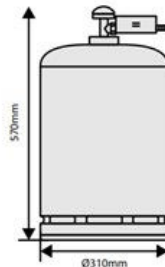
- Gasforsyningen eller slangen skal overholde gældende krav og skal regelmæssigt undersøges og udskiftes efter behov. Slangen skal overholde EN16436 standarden. Regulatoren skal overholde EN16129 standarden.

FARE: Benyt ikke en regulator med justerbart tryk (f.eks. den type der bruges til ukrudtsbrændere). Risiko for eksplosion eller forbrænding.

- Nominelt output (gastryk) skal være mellem 28-37 mbar og 50 mbar i Tyskland, Østrig og Schweiz.
- Slidte eller beskadigede slanger skal udskiftes. Kontroller, at slangen ikke er i klemme, knækket eller i kontakt med pizzaovnen, undtaget på det sted, hvor den er tilsluttet.
- I nogle regioner må slangen og regulatoren ikke leveres sammen med apparatet.
- Slangen til apparatet bør ikke overstige 1,5 m.
- Forbind gasflasken til ovnen vha. slangen og regulatoren. Stram omhyggeligt møtrikkerne, men overspænd eller vrid ikke. Pas på ikke at komme til at beskadige regulatorfittingen. Kontroller, at ALLE ventiler/knapper på ovnen er på OFF-position, før du åbner for gasflasken.
- Regulatorslangen skal holdes på afstand af skarpe genstande og varmekilder.
- Inden udskiftning af gasflaske: sørg for, at der er slukket for gassen, inden du frakobler slangen og regulatoren fra flasken (ikke fra selve ovnen).
- Udskift den fleksible slange efter gældende nationale forskrifter og regler.
- Brug ikke en LPG-cylinder, som overskrider en maks. bredde på 310 mm og 570 mm højde.

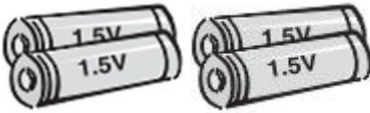
Lækagetest: Efter slange og regulator er monteret og spændt efter forskrifterne, åbnes for gassen. Derefter sprayes samlingerne med en vand / sæbeblanding for at kontrollere for eventuelle utætheder.

BEMÆRK: Sørg for, at gasflasken er fuldt afskærmet fra ovnen.



Frakobling af gasflaske:

- Ved frakobling af gasflaske: Sørg for, at ovnens tænd/sluk-knap er drejet hen på OFF-position. Sørg for, at beholderventilen er i slukket/lukket position. Løsn regulatoraggregatet fra gasflasken og fjern den. Sørg for hele tiden at holde gasflasken på mindst én meters afstand fra ovnen, for at undgå risiko for antænding.
- Krav/regler for regulator og slange: regulatoren som bruges sammen med din gasbrænderovn, skal være CE-godkendt og overholde gældende krav og reglementer.



Batterier:

- Bortskaf batterier på en forsvarlig måde, og sørg for at holde børn væk fra batterierne, så de ikke kommer til at sluge dem. **Søg øjeblikkeligt læge, hvis et barn sluger et batteri!**
- Bland ikke gamle batterier med nye. Dette kan få batterierne til at overophede og lække.
- Ikke-genopladelige batterier må ikke placeres i en oplader.
- Demonter, pres, punkter eller på anden måde ødelæg ikke batterier. Det kan resultere i brud eller utætheder.
- Bevar batteriernes holdbarhed ved at slukke for apparatet og tag batterierne ud, når apparatet ikke bruges – eller forventes at blive brugt – i en længere periode.
- Brug den specifikke batteritype (5 x AA-batterier).
- Indsæt batterierne korrekt. Sørg for, at batteriernes poler (- og +) vender korrekt.
- Fjern øjeblikkeligt opbrugte batterier fra apparatet og bortskaf dem forsvarligt og korrekt i henhold til reglement. Bortskaf ikke batterierne i skraldespanden, de skal afleveres på den nærmeste genbrugsstation.

TEKNISKE OPLYSNINGER

Model-nummer	Modtagerland	Total varmetilførsel	Brændere	Injektor-/ størrelsesmærkning	Kategorier	Gasttyper
Witt PICCOLO Rotante	BE, CH, CY,CZ, ES,FR, GB,GR,IE,IT,LT,LU,LV,PT, SI,SK,TR, IL	5,2kw	1	Φ 1.12mm	I 3+(28~30/37)	G30 Butane 28~30mbar G31 Propane 37mbar
	BE, BG, CY, CZ, DK, EE, FI, GB, HR, HU, IT, LT, LU, SI, MT, NL, NO, RO, SE, KE,IS	5,2kw	1	Φ 1.12mm	I 3B/P(30)	G30 Butane eller G31 Propane 30mbar
	AT, CH, DE, SK	5,2kw	1	Φ 1.06mm	I 3P(50)	G31 Propane 50mbar
	PL	5,2kw	1	Φ 1.12mm	I 3P(37)	G30 Butane eller G31 Propa- ne 37mbar

Produkt detaljer	Witt PICCOLO Rotante
Dimensioner	650 × 535 × 440
Vægt NW/GW	19 / 26

PIN CODE: 1336DO050

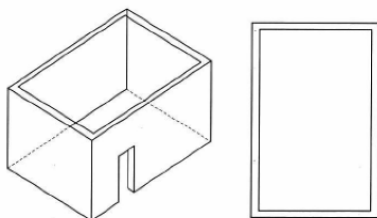
UDENDØRS INSTALLATIONSGUIDE

Pizzaovnen er udelukkende beregnet til brug udendørs og må kun anvendes på et godt ventileret sted, langt væk fra brændbare materialer.

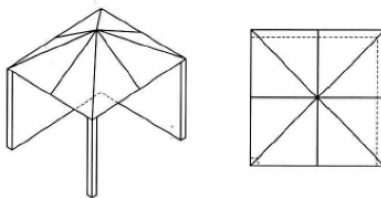
Brug **ALDRIG** pizzaovnen indendørs, i garager, verandaer, skure eller andre lukkede områder. Pizzaovnen er ikke beregnet til brug ombord på en båd, i en autocamper eller campingvogn, og må ikke placeres tæt ved eller under nogen overflade, som kan brænde eller er varmefølsom. Bloker ikke for lufttilførsel og forbrænding omkring pizzaovnen, når den er i brug. Tilstrækkelig ventilation er nødvendig for sikker og korrekt forbrænding og pizzaovnens effektivitet. Det giver også sikkerhed for brugeren og andre personer, som er i området, hvor pizzaovnen bruges. Pizzaovnen må **ALDRIG** bruges i lukkede, overdækkede rum.

Som illustreret nedenfor må pizzaovnen installeres udendørs et sted, hvor der er åbent til mindst 2 sider eller foroven. Det er vigtigt, at der ved et eventuelt gaslæk er mulighed for, at gassen kan komme ud og væk, så der ikke sker en eksplosion.

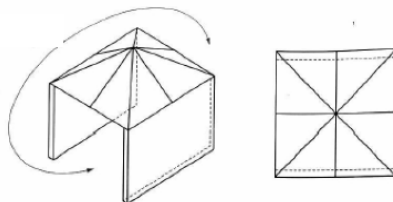
Eksempel 1: **Ventilation fra åbent tag og åben dør**



Eksempel 2: **Åbent i begge sider: Foran og til højre**

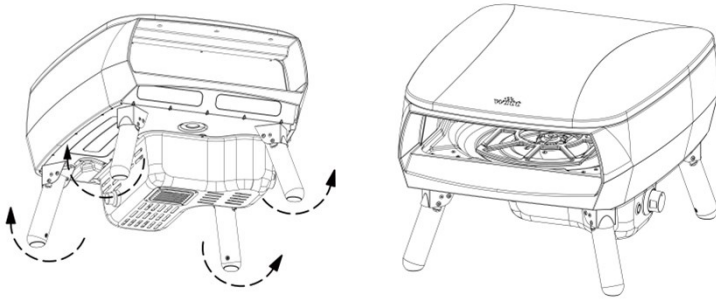


Example 3: **Open in both sides: Front & Back**



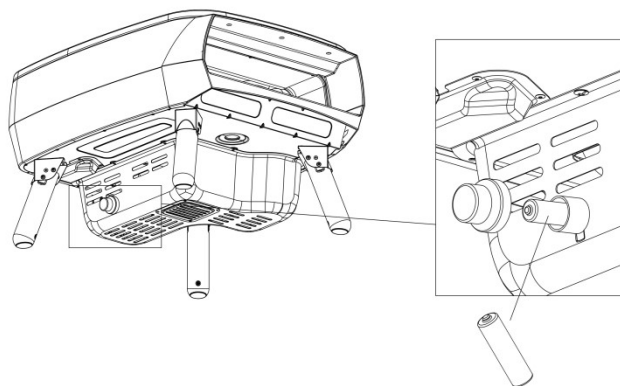
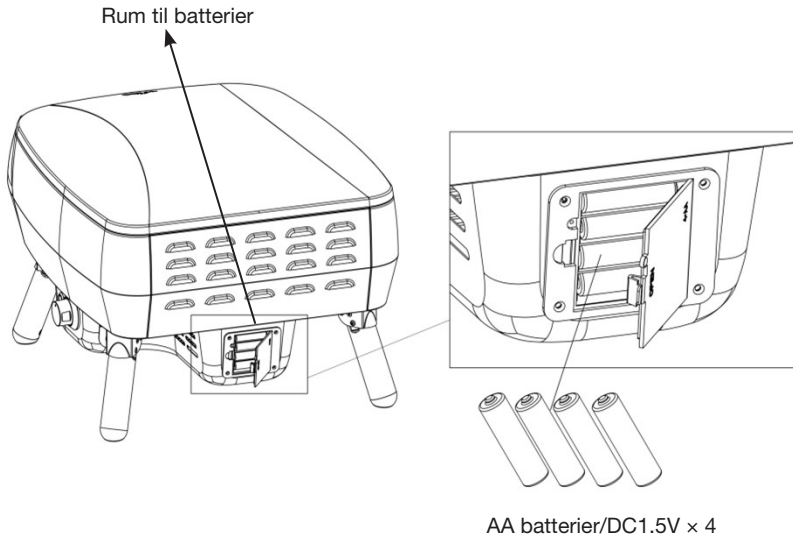
Montering:

1. Fold benene helt ud og opstil pizzaovnen.
(bemærk, at pizzaovnen vejer op til 19 kg).

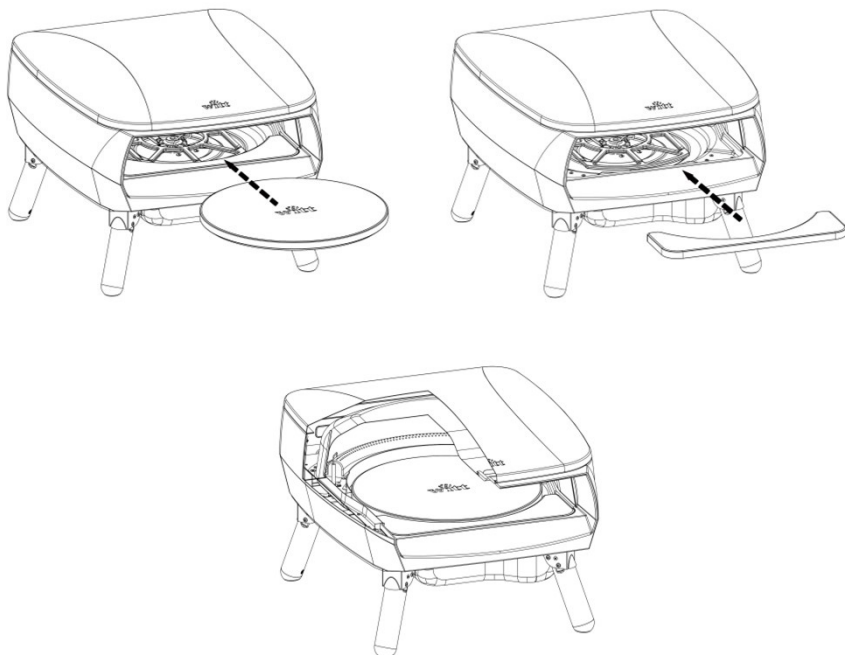


2. Skru dækslet til den elektroniske tænding af og indsæt et AA-batteri. Bemærk (+) og (-) markeringerne i batterirummet. Skru dækslet tilbage på plads. Åbn batteridækslet. Isæt 4 nye AA-batterier, og placer batterierne, så (+) og (-) vender korrekt efter angivelserne.

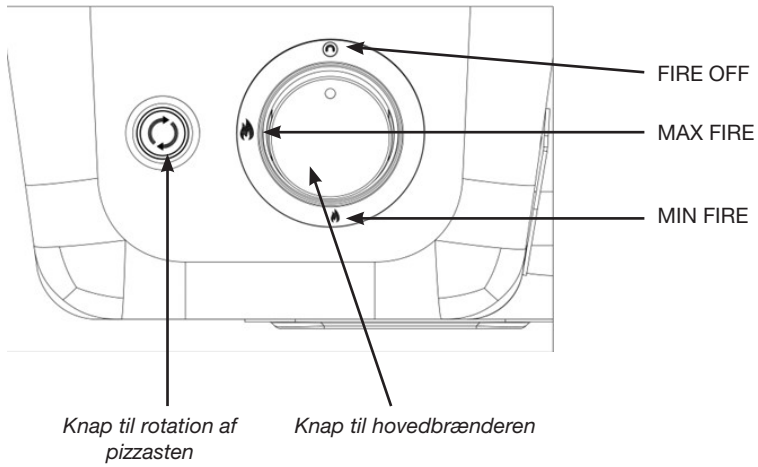
Luk batteridækslet.



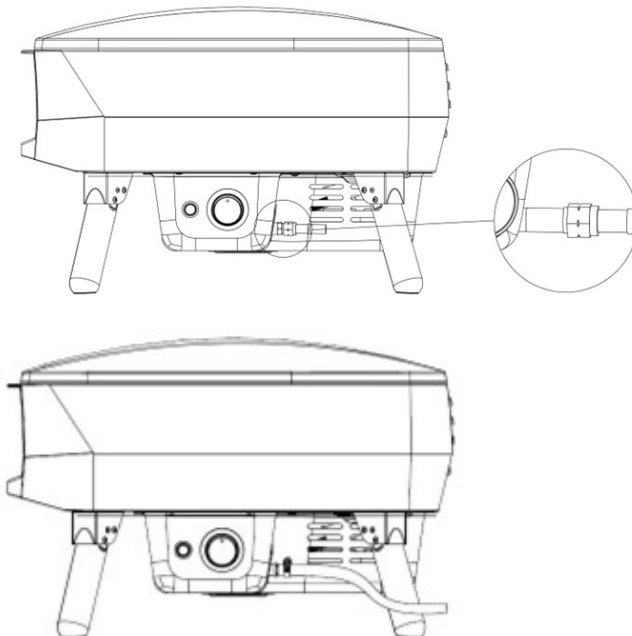
3. Fjern emballagen fra pizzastenen og monter pizzastenen på drejetallerkenen.



4. Sørg for, at brænderens knapper er slukkede (OFF), før du tilslutter gasslangen.



5. Tilslut gasslangen til pizzaovnen.

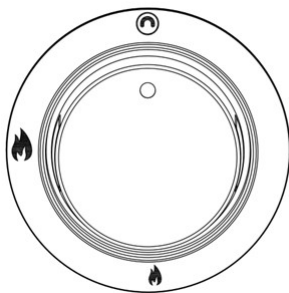


BRUG AF PIZZAOVNEN / TÆNDINGSVEJLEDNING

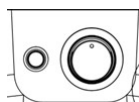
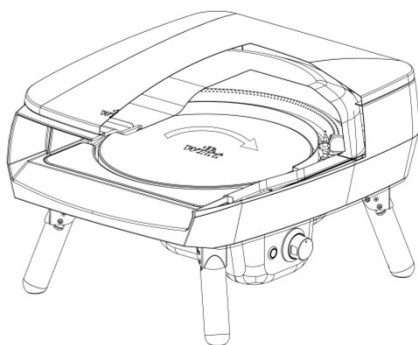
Når regulatoren er korrekt tilsluttet, kan du åbne for gassen i gasflasken.

Witt PICCOLO Rotante

For at antænde brænderen: Tryk ned og drej samtidigt langsomt tænd/sluk-knappen mod uret, indtil du hører et klik, og brænderen antændes. Dette vil tage cirka 8-10 sekunder, idet gassen skal ledes igennem brændrøret til ovnen. Fortsæt med at holde tænd/sluk-knappen inde i yderligere 10 sekunder efter antænding og slip herefter knappen. Indstil brænderen som du ønsker. Hvis brænderen ikke tænder, lad knappen forblive på OFF-position og vent fem minutter, før du prøver igen.



Tryk på knappen for at starte pizzastenens rotation.



Symbol	Beskrivelse
	Hovedbrænder
	Rotations-knap

RENGØRING OG VEDLIGEHOLDELSE

Udvendigt:

- Sørg for, at pizzaovnen er kølet ned og er sikker at røre ved, inden du påbegynder den udvendige rengøring.
- Malede dele samt plastikoverflader kan rengøres med mildt sæbevand og en ren klud (brug ikke skure- eller affedtningsmidler eller skuresvampe).
- Det anbefales først at teste rengøringsmidlet på et mindre område af apparatet. BRUG ALDRIG malingsfortynder eller lignende opløsningsmidler, og HÆLD ALDRIG koldt vand over varme overflader.
- Tør efter med en klud.

Indvendigt:

- Sørg for, at pizzaovnen er kølet ned og er sikker at røre ved, inden du påbegynder den indvendige rengøring.
- Fjern den runde pizzasten og den forreste sten før rengøring.
- Brug lidt natron på en våd svamp, for at rengøre ekstra genstridigt snavs. Brug ikke skuremidler.

Pizza Stone:

- Pizzastenen er udelukkende beregnet til brug i Witt pizzaovn, den er ikke beregnet til brug over åben ild.
- Pizzastenen er skrøbelig og kan gå i stykker, hvis den får stød eller tabs.
- Pizzastenen er meget varm under brug og forbliver varm i lang tid efter brug.
- For at rengøre pizzastenen, opvarmes ovnen i cirka 30 minutter. Herefter kan du fjerne rester fra pizzastenen efter afkøling, for eksempel ved brug af Witt pizzaovnsbørsten.
- Pizzastenen og den forreste sten skal opbevares et tørt sted mellem hver brug, da de ikke tåler fugt.

FEJLFINDING

Brænderen vil ikke antændes:

Gasventilen er ikke tændt.	Tænd for ventilen.
Gasflasken er tom.	Udskift gasflasken med en ny.
Antændingsknappen virker ikke.	Tjek batteriet.
Der er ingen gnistdannelse ved antænding.	Kontakt servicecenter.

Brænderens flamme er uregelmæssig:

Flammen brænder inde i brænderen (hvislende lyd).	Sluk for brænderen og lad den køle ned. Forsøg herefter igen at antænde.
Regulatoren er defekt.	Kontakt servicecenter.
Injektor er delvis blokeret.	Rengør injektor med en tandbørste. Bor ikke ud og brug ikke wire/ståltråd til at fjerne blokeringer. Kontakt servicecenter.

Gaslæk mellem samlinger:

Forbindelserne er løse.	Stram løse forbindelser (overstram ikke) og foretag en lækagetest med tryk ved brug af sæbevand (se anvisningerne "Lækagetest" side 4).
Slangen er beskadiget.	Udskift slangen med en ny. (Kontakt servicecenter).
Gasventilen er defekt.	Kontakt servicecenter.
Forbindelser/samlinger er beskadigede.	Kontakt servicecenter.

Pizzastenen roterer ikke:

Pizzastenen roterer ikke.	Kontroller, at ledningen fra strømadapteren er tilsluttet korrekt, og at der er tændt for strømmen. Kontroller, at batterierne er indsat korrekt i batterirummet. Kontroller, om batterierne er fuldt opladede og udskift dem om nødvendigt. For at sikre, at den forreste sten ikke blokerer rotationen, skal fronten skubbes fremad mod ovnsens åbning.
Pizzastenen er beskadiget.	Kontakt servicecenter.
Knap/kontakt eller ledning er beskadigede.	Kontakt servicecenter.

REKLAMATIONSRET OG SERVICE

IMPORTANT

Reklamationsretten omfatter materialer og arbejdsløn. Ved henvendelse om service skal du oplyse produktets navn, serienummer og udfylde serviceskaemaet på <https://service.witt.dk/service/da/witt/pizzaservice.aspx>.

Disse oplysninger findes på typeskiltet. Skriv evt. oplysningerne ned her i brugsanvisningen, så du har dem ved hånden. Det gør det lettere for servicemontøren at finde de rigtige reservedele.

I løbet af reklamationsperioden vil din pizzaovn blive repareret af Witt autoriseret servicecenter, forudsat din pizzaovn leveres til og hentes fra servicecenteret, jvf. vilkår og betingelser nedenfor.

REKLAMATIONSRET

2 år

REKLAMATIONSRETEN DÆKKER IKKE:

1. Fejl og skader, som ikke skyldes fabrikations- og materialefejl.
2. Almindelig, rimelig slitage (fx varmemisfarvning af riste/plader).
3. Produktskade forårsaget af skadedyr.
4. Hvis der er brugt uoriginale reservedele.
5. Hvis anvisningerne i brugsanvisningen ikke er fulgt.
6. Hvis ikke installationen er sket som anvist.
7. Hvis ikke-faglærte har installeret eller repareret produktet.
8. Rust og anløbninger.

TRANSPORTSKADER

En transportskade, der konstateres ved forhandlerens levering hos kunden, er udelukkende en sag mellem kunden og forhandleren. I tilfælde, hvor kunden selv har stået for transporten af produktet, påtager leverandøren sig ingen forpligtelse i forbindelse med evt. transportskade. Evt. transportskader skal anmeldes omgående og senest 24 timer efter, at varen er leveret. I modsat fald vil kundens krav blive afvist.

ERHVERVSKØB

Erhvervskøb er ethvert køb af apparater, der ikke skal bruges i en privat husholdning, men anvendes til erhverv eller erhvervslignende formål (restaurant, café, kantine etc.) eller bruges til udlejning eller anden anvendelse, der omfatter flere brugere.

I forbindelse med erhvervskøb ydes ingen garanti, da dette produkt udelukkende er beregnet til almindelig husholdning.

Alle forespørgsler om service:

EMAIL: service@wittpizza.dk

Se mere på: www.wittpizza.com

EC Overensstemmelseserklæring:

Witt Hvidevarer A/S bekræfter hermed, at følgende tilbehør overholder alle permanente og væsentlige krav i henhold til EU-direktivet 2014/53. 1935/2004. Witt Hvidevarer A/S Gødstrup Søvej 9, DK-7400 Danmark. Witt US, LLC POSTBOKS: 1044, 800 State Route 11, Champlain, NY 12919, USA, Witt UK & Ireland Ltd. 4 Tannery House, Tannery Lane, Send, Working, Surrey, GU23 7EF. www.witt.dk

INNHALDSFORTEGNELSE

SIKKERHETSINSTRUKSJONER	35
<i>Lekkasjetest</i>	36
<i>Tilkobling av gassbeholder</i>	37
<i>Frakobling av gassbeholder</i>	37
<i>Batterier</i>	38
TEKNISK INFORMASJON	39
UTENDØRS INSTALLASJONSANVISNING.....	40
<i>Montering:</i>	41
BRUK AV PIZZAOVNEN/TENNINGSVEILEDNING.....	45
RENGJØRING OG VEDLIKEHOLD	46
FEILSØKING.....	47
REKLAMASJONSRETT OG SERVICE.....	48

SIKKERHETSANVISNINGER

For å redusere risikoen for brann, brannfare eller annen skade, er det viktig at du leser denne sikkerhetsveiledningen nøye og i sin helhet, før du bruker apparatet.



- **IKKE BRUK** DETTE APPARATET FØR DU HAR LEST BRUKSANVISNINGEN
- **IKKE PLASSER**GJENSTANDER PÅ ELLER INNTIL DETTE APPARATET
- **IKKE OPPBEVAR** KJEMIKALIER, BRENNBARE MATERIALER ELLER SPRAYBOKSER I NÆRHETEN AV APPARATET
- **IKKE BRUK** DETTE APPARATET INNENDØRS
- **IKKE LA** FETT/OLJER, ASKE ELLER UFORBRENDET BRENSSEL HOPE SEG OPP I APPARATET MELLOM BRUK.

- ADVARSEL: pizzaovnens deler kan være svært varme!
- Kun ment for utendørs bruk. Bruk aldri pizzaovnen i lukkede, overdekkede rom.
- Hold barn og kjæledyr unna apparatet til enhver tid.
- Ikke flytt apparatet under bruk.
- Slå av gassforsyningen ved gassylindere etter bruk av apparatet.
- Ikke modifier apparatet.
- Forseglede originaldelene fra fabrikanten må ikke endres av brukeren.
- Bruk alltid grillhansker når du håndterer varme komponenter.
- Ikke oppbevar apparatet innendørs, med mindre gassbeholderen er koblet fra. Hvis apparatet står ubrukt i en lengre periode, bør det fjernes og oppbevares i den originale emballasjen på et tørt oppbevaringssted.

Merk: gassbeholderen skal alltid oppbevares utendørs på et sted med god ventilasjon. En frakoblet gassbeholder må ikke oppbevares i en bygning, en garasje eller et annet lukket område! Gassbeholdere skal oppbevares stående utendørs, utilgjengelig for barn.

- **FORSIKTIG:** Rengjøring og vedlikehold skal kun utføres etter at ovnen er helt avkjølt og etter at gassbeholderen er koblet fra.

- La aldri klær eller andre brennbare stoffer komme i kontakt med eller for tett inntil brenneren eller noen varm overflate før apparatet er avkjølt. Stoffet kan antennes og forårsake alvorlig personskade.
- Enkelte syntetiske stoffer er svært brannfarlige og bør ikke brukes mens man lager mat. Løse plagg eller ermer bør aldri brukes ved bruk av ovnen.
- Temperaturen blir også svært høy under pizzaovnen. Ikke plasser pizzaovnen på bord av plast eller andre brennbare materialer, og ikke plasser pizzaovnen på en duk eller lignende.
- Pizzaovnen er ikke beregnet til bruk om bord i en båt, i en bobil eller campingvogn.
- Ikke modifierer pizzaovnen, da det kan medføre person- eller produktskade.
- Uautoriserte endringer av pizzaovnen medfører også at garantien bortfaller.
- Det må ikke være gjenstander over pizzaovnen, som f.eks. trær eller takkonstruksjoner.

LEKKASJETEST:

- **KONTROLLER ALLE GASSTILKOBLINGER, FORBINDELSER OG MONTERINGER PÅ APPARATET FØR BRUK:** Selv om apparatets gasstilkoblinger er testet for lekkasje før pakking og forsendelse, skal det utføres en fullstendig test på installasjonsstedet. Hvis du på noe tidspunkt kan lukte gass, må du umiddelbart stoppe bruken av pizzaovnen og kontrollere hele systemet for lekkasjer. Lag en blanding av en del flytende oppvaskmiddel og en del vann. Bruk en sprayflaske, børste eller klut for å påføre blandingen på beslagene. Påfør såpeblanding på alle gassbeslag. Det vil danne seg såpebobler på de stedene det er lekkasje. Hvis det er lekkasje, må du umiddelbart slå av gassforsyningen og stramme de beslagene som lekker. Utfør en lekkasjetest hver gang du bytter gasstank, eller etter en lengre periode uten bruk av ovnen.
- Sørg for at ventilen er korrekt posisjonert. Sørg for at slangen ikke er skadet.

VIKTIG: Hvis du ikke kan stoppe gasslekkasjen, må du slå av gassforsyningen og kontakte kundeservice.

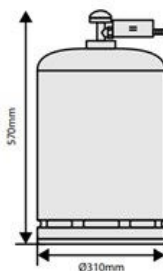
ADVARSEL: Slå ALDRI på brennerne mens det foretas en gasslekkasje kontroll.

MERK: Da noen testløsninger, herunder såpevann, kan være lett rustfremkallende, må alle tilkoblinger skylles med vann etter at lekkasjetesten er gjennomført.

Tilkobling av gassbeholder:

- Gassforsyningen eller slangen skal oppfylle gjeldende krav og må undersøkes regelmessig og byttes ved behov. Slangen skal overholde EN16436-standarden. Regulatoren skal overholde EN16129-standarden.
- FARE:** Ikke benytt en regulator med justerbart trykk (f.eks. den typen som brukes til ugressbrennere). Risiko for eksplosjon eller forbrenning.
- Nominell effekt (gasstrykk) skal være mellom 28–37 mbar og 50 mbar i Tyskland, Østerrike og Sveits.
- Slitte eller skadede slager må byttes. Kontroller at slangen ikke er i klem, knekt eller i kontakt med pizzaovnen, bortsett fra på det stedet der den er koblet til.
- I enkelte regioner får ikke slangen og regulatoren leveres sammen med apparatet.
- Slangen til apparatet bør ikke overstige 1,5 m.
- Koble gassbeholderen til ovnen ved hjelp av slangen og regulatoren. Stram mutterne grundig, men ikke stram eller vri for hardt. Pass på så du ikke skader regulatorforbindelsen. Kontroller at ALLE ventiler/knapper på ovnen er i OFF-posisjon før du åpner gassbeholderen.
- Regulatorslangen må holdes unna skarpe gjenstander og varmekilder.
- Før gassbeholderen byttes: Sørg for at gassen er slått av før du kobler slangen og regulatoren fra beholderen (ikke fra selve ovnen).
- Bytt den fleksible slangen etter gjeldende nasjonale forskrifter og regler.
- Ikke bruk en gassbeholder som overskrider maksimal bredde på 310 mm og høyde på 570 mm.

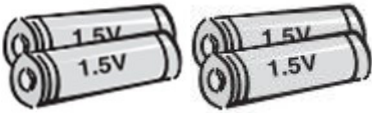
Lekkasjetest: Når slangen og regulatoren er montert og strammet i henhold til forskriftene, kan du åpne for gassen. Spray deretter koblingene med en vann/såpeblanding for å kontrollere om noe ikke er tett.



MERK: Sørg for at gassbeholderen er helt avskjermet fra ovnen.

Frakobling av gassbeholder:

- Ved frakobling av gassbeholder: Sørg for at ovnens på/av-knapp står i OFF-posisjon. Sørg for at beholderventilen er i avslått/lukket posisjon. Løsne regulatoraggregatet fra gassbeholderen og fjern den. Sørg for å hele tiden holde gassflasken på minst en meters avstand fra ovnen, for å unngå risiko for antenning.
- Krav/regler for regulator og slange: regulatoren som brukes sammen med gassovnen skal være CE-godkjent og i samsvar med gjeldende krav og forskrifter.



Batterier:

- Kast batterier på en forsvarlig måte og sørg for å holde barn unna batteriene for å forhindre at de svelger dem. **Søk legehjelp umiddelbart hvis et barn svelger et batteri!**
- Ikke bland gamle og nye batterier. Dette kan få batteriene til å bli overopphetet og lekket.
- Ikke oppladbare batterier må ikke plasseres i en lader.
- Ikke demonter, klem, punkter eller på annen måte ødelegg batterier. Det kan resultere i brudd eller lekkasje.
- Bevar batterienes holdbarhet ved å slå av apparatet og ta ut batteriene når apparatet ikke brukes, eller ikke forventes å bli brukt, i en lengre periode.
- Bruk den spesifikke batteritypen (5 x AA-batterier).
- Sett inn batteriene på korrekt måte. Sørg for at batterienes poler (- og +) peker i riktig retning.
- Fjern tomme batterier umiddelbart fra apparatet og kast dem på forsvarlig og korrekt måte i henhold til regelverket. Ikke kast batteriene i søppelkassen, de skal leveres til nærmeste gjenvinningsstasjon.

TEKNISK INFORMASJON

Modellnummer	Mottakerland	Total varmetilførsel	Brennere	Injektor-/størrelsesmerking	Kategorier	Gasstyper
Witt PICCOLO Rotante	BE, CH, CY,CZ, ES,FR, GB,GR,IE,IT,LT,LU,LV,PT, SI,SK,TR, IL	5,2 kw	1	Φ 1,12 mm	I 3+(28~30/37)	G30 Butane 28~30mbar G31 Propane 37mbar
	BE, BG, CY, CZ, DK, EE, FI, GB, HR, HU, IT, LT, LU, SI, MT, NL, NO, RO, SE, KE,IS	5,2 kw	1	Φ 1,12 mm	I 3B/P(30)	G30 Butane eller G31 Propane 30mbar
	AT, CH, DE, SK	5,2 kw	1	Φ 1,06mm	I 3P(50)	G31 Propane 50mbar
	PL	5,2 kw	1	Φ 1,12 mm	I 3P(37)	G30 Butane eller G31 Propa- ne 37mbar

Produkt detaljer	Witt PICCOLO Rotante
Mål	650 × 535 × 440
Vekt NW/GW	19 / 26

PIN CODE: 1336DO050

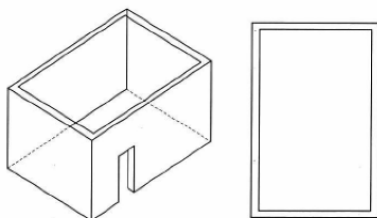
UTENDØRS INSTALLASJONSANVISNING

Pizzaovnen er kun beregnet til bruk utendørs og må kun brukes på et godt ventilert sted, langt unna brennbare materialer.

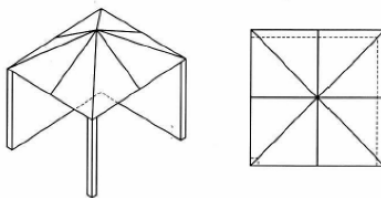
Bruk ALDRI pizzaovnen innendørs, i garasjer, verandaer, skur eller andre lukkede områder. Pizzaovnen er ikke beregnet til bruk om bord i en båt, i en bobil eller campingvogn og må ikke plasseres tett inntil eller under noen overflate som kan brenne eller er varmefølsom. Ikke blokker lufttilførsel og forbrenning rundt pizzaovnen når den er i bruk. Det er nødvendig med tilstrekkelig ventilasjon for sikker og korrekt forbrenning og pizzaovnens effektivitet. Det gir også sikkerhet for brukeren og andre personer som befinner seg i det området der pizzaovnen brukes. Pizzaovnen må ALDRI brukes i lukkede, overdekkede rom.

Som illustrert nedenfor, må pizzaovnen installeres utendørs på et sted hvor minst 2 sider eller oversiden er åpen. Det er viktig at det ved en eventuell gasslekkasje er mulighet for at gassen kan komme ut og bort, slik at det ikke skjer en eksplosjon.

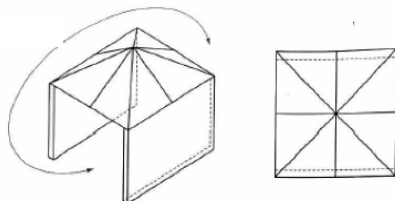
Eksempel 1: **Ventilasjon fra åpent tak og åpen dør**



Eksempel 2: **Åpent på begge sider: Foran og til høyre**

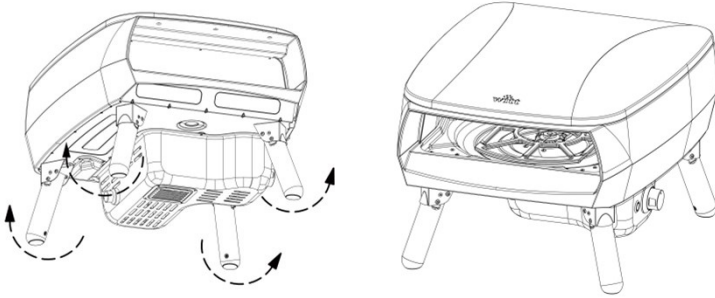


Eksempel 3: **Åpent på begge sider: Foran og bak**



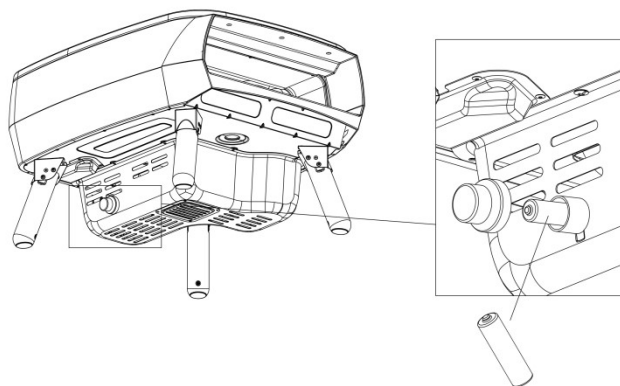
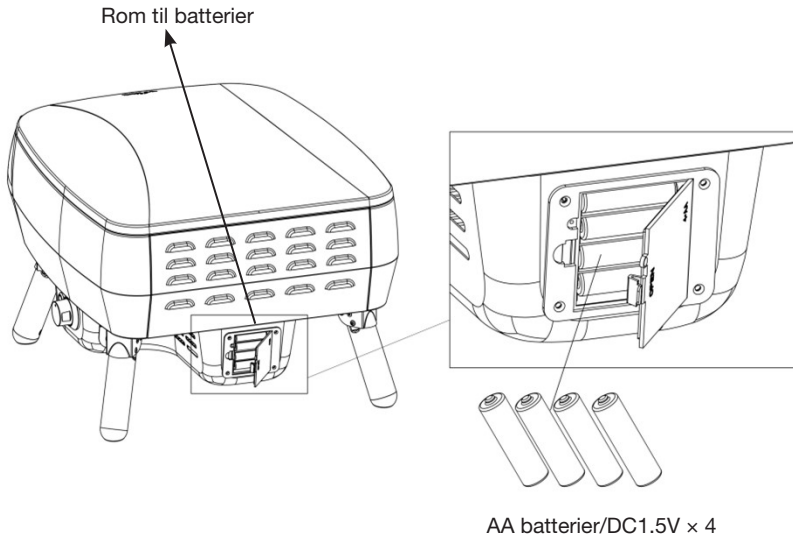
Montering:

1. Fold bena helt ut og plasser pizzaovnen.
(merk at pizzaovnen veier opptil 19 kg).

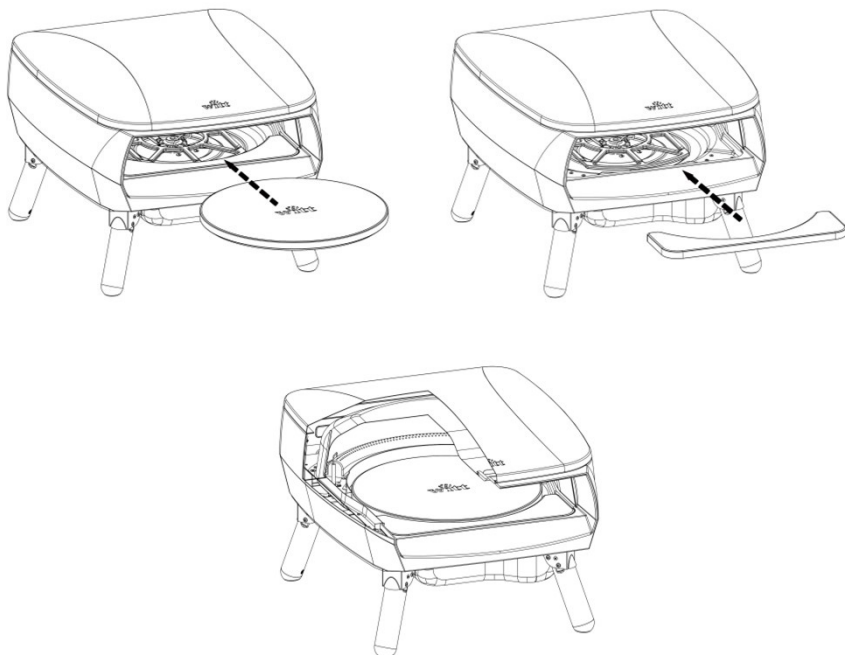


2. Skru av dekselet til den elektroniske tenningen og sett inn et AA-batteri. Merk (+)- og (-)-markeringene i batterirommet. Skru dekselet tilbake på plass. Åpne batteridekselet. Sett i 4 nye AA-batterier, og plasser batteriene slik at (+) og (-) vender korrekt i henhold til angivelsene.

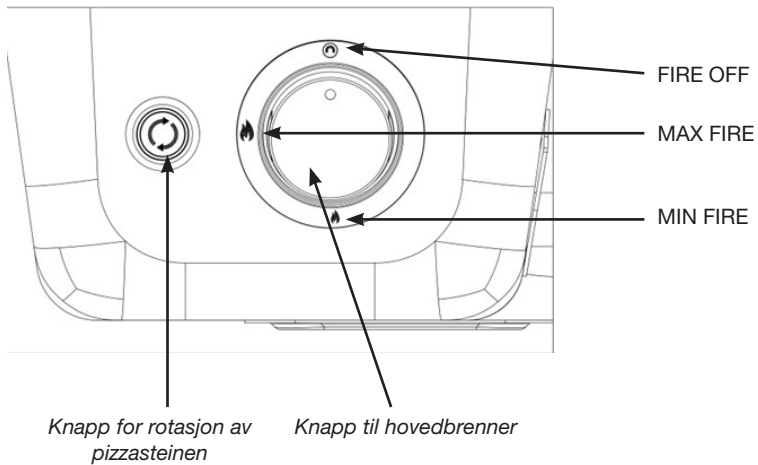
Lukk batteridekselet.



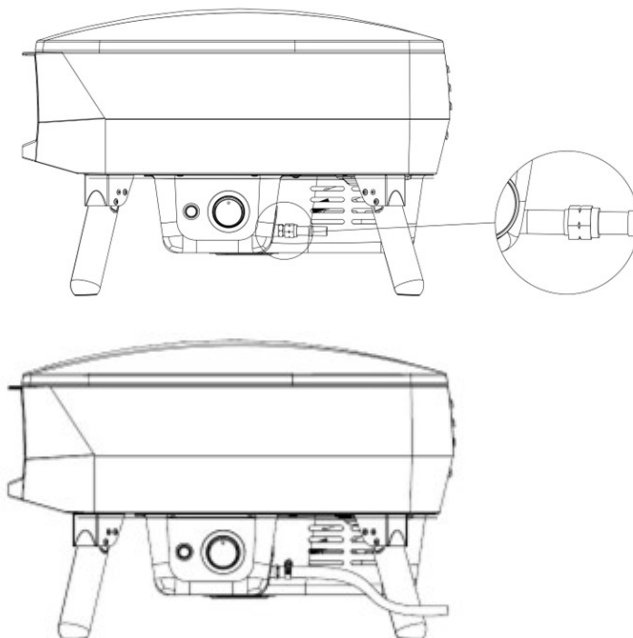
3. Fjern emballasjen fra pizzasteinen og monter pizzasteinen på dreietallerkenen.



4. Sørg for at knappene på brenneren er slått av (OFF) før du kobler til gasslangen.



5. Koble gasslangen til pizzaovnen.

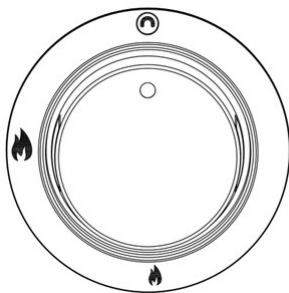


BRUK AV PIZZAOVNEN/TENNINGSVEILEDNING

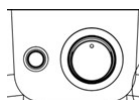
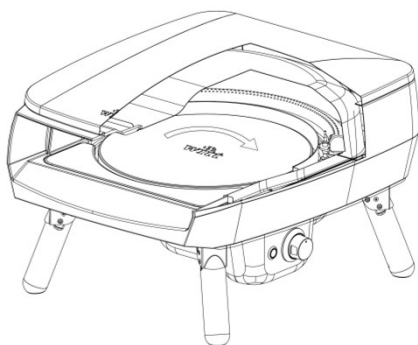
Når regulatoren er korrekt tilkoblet, kan du åpne gassen i gassbeholderen.

Witt PICCOLO Rotante

For å tenne brenneren: Trykk ned og vri samtidig på/av-knappen langsomt mot klokken til du hører et klikk, og brenneren tennes. Dett vil ta cirka 8–10 sekunder, da gassen må passere gjennom brennerrøret til ovnen. Fortsett å holde på/av-knappen inne i ytterligere 10 sekunder etter tenning, og slipp deretter knappen. Still inn brenneren som du ønsker. Hvis brenneren ikke tenner, la knappen være i OFF-posisjon og vent fem minutter før du prøver igjen.



Trykk på knappen for å starte rotasjonen av pizzasteinen.



Symbol	Description
	Hovedbrenner
	Rotasjonsknapp

RENGJØRING OG VEDLIKEHOLD

Utvendig:

- Sørg for at pizzaovnen er avkjølt og sikker å berøre før du begynner utvendig rengjøring.
- Malte deler samt plastoverflater rengjøres med mildt såpevann og en ren klut (ikke bruk skure- eller avfettingsmidler eller skuresvamp).
- Det anbefales å først teste rengjøringsmiddelet på et mindre område av apparatet. BRUK ALDRI malingstynner eller lignende løsemidler, og HELL ALDRI kaldt vann over varme flater.
- Tørk av med en myk klut.

Innvendig:

- Sørg for at pizzaovnen er avkjølt og sikker å berøre før du begynner innvendig rengjøring.
- Fjern den runde pizzasteinen og den forreste steinen før rengjøring.
- Bruk litt natron på en våt svamp for å rengjøre ekstra gjenstridig smuss. Ikke bruke skuremidler.

Pizzastein:

- Pizzasteinen er kun beregnet til bruk i Witt pizzaovn, den er ikke beregnet til bruk over åpen ild.
- Pizzasteinen er porøs og kan gå i stykker hvis den får støt eller mistes.
- Pizzasteinen er svært varm under bruk og holder seg varm i lang tid etter bruk.
- For å rengjøre pizzasteinen varmes ovnen opp i cirka 30 minutter. Deretter fjerner du rester fra pizzasteinen etter avkjøling, for eksempel ved bruk av Witt pizzaovnsbørste.
- Pizzasteinen og den forreste steinen skal oppbevares på et tørt sted mellom hver bruk, da de ikke tåler fukt.

FEILSØKING

Brenneren vil ikke tenne:

Gassventilen er ikke tent.	Tenn ventilen.
Gassbeholderen er tom.	Bytt ut gassbeholderen med en ny.
Tenningsknappen virker ikke.	Sjekk batteriet.
Det dannes ingen gnister ved tenning.	Kontakt servicesenter.

Brennerens flamme er uregelmessig:

Flammen brenner inne i brenneren (hvislende lyd).	Slå av brenneren og la den avkjøles. Forsøk deretter å tenne på nytt.
Regulatoren er defekt.	Kontakt servicesenter.
Injektoren er delvis blokkert.	Rengjør injektoren med en tannbørste. Ikke bor og ikke bruk vaier/ståltråd for å fjerne blokkeringer. Kontakt servicesenter.

Gasslekkasje mellom koblinger.

Koblingene er løse.	Stram løse koblinger (ikke stram for mye) og foreta en lekkasjetest med trykk ved bruk av såpevann. (se anvisningene «Lekkasjetest» på side 4.
Slangen er skadet.	Bytt ut slangen med en ny. (Kontakt servicesenter).
Gassventilen er defekt.	Kontakt servicesenter.
Koblinger/monteringer er skadet.	Kontakt servicesenter.

Pizzasteinen roterer ikke:

Pizzasteinen roterer ikke	Kontroller at ledningen fra strømadapteren er korrekt tilkoblet og at strømmen er slått på. Kontroller at batteriene er satt inn korrekt i batterirommet. Kontroller om batteriene er fulladet og bytt dem om nødvendig. For å sikre at den forreste steinen ikke blokkerer rotasjonen skal fronten skyves fremover mot ovnsens åpning.
Pizzasteinen er skadet.	Kontakt servicesenter.
Knapp/kontakt eller ledning er skadet.	Kontakt servicesenter.

REKLAMASJONSRETT OG SERVICE

VIKTIG

Reklamasjonsretten omfatter materialer og arbeidslønn. Ved henvendelse om service må du oppgi produktets navn, serienummer og fylle ut serviceskjemaet på <https://service.witt.dk/service/da/witt/pizzaservice.aspx>.

Disse opplysningene finnes på typeskiltet. Skriv eventuelt ned opplysningene her i bruksanvisningen, slik at du har dem lett tilgjengelig. Det gjør det lettere for servicemontøren å finne de riktige reservedelene.

I løpet av reklamasjonsperioden vil pizzaovnen bli reparert av Witt autorisert servicesenter, forutsatt at pizzaovnen leveres til og hentes fra servicesenteret i henhold til vilkår og betingelser nedenfor.

REKLAMASJONSRETT

2 år

REKLAMASJONSRETTE DEKKER IKKE:

1. feil og skader som ikke skyldes fabrikasjons- og materialfeil
2. vanlig, rimelig slitasje (f.eks. varmemisfarging av rist/plater)
3. produktskade forårsaket av skadedyr
4. hvis det er brukt uoriginale reservedeler
5. hvis anvisningene i brukerveiledningen ikke er fulgt
6. hvis ikke installasjonen har skjedd som anvist
7. hvis ikke-faglærte har installert eller reparert produktet
8. rust og anløpninger

TRANSPORTSKADER

En transportskade som konstateres ved forhandlerens levering hos kunden, er utelukkende en sak mellom kunden og forhandleren. I tilfelle hvor kunden selv har stått for transporten av produktet, påtar leverandøren seg ingen forpliktelse i forbindelse med eventuell transportskade. Eventuelle transportskader skal varsles omgående og senest 24 timer etter at varen er levert. I motsatt fall vil kundens krav bli avvist.

NÆRINGSKJØP

Næringskjøp er ethvert kjøp av apparater som ikke skal brukes i en privat husholdning, men benyttes til næring eller næringsliknende formål (restaurant, kafé, kantine osv.) eller brukes til utleie eller annen bruk som omfatter flere brukere.

I forbindelse med næringskjøp ytes ingen garanti, da dette produktet utelukkende er beregnet til vanlig husholdning.

Alle forespørsler om service:

E-post: service@wittpizza.dk

Se mer på: www.wittpizza.dk

EC samsvarserklæring:

Witt Hvidevarer A/S bekrefter herved at følgende tilbehør overholder alle permanente og vesentlige krav i henhold til EU-direktivet 2014/53. 1935/2004. Witt Hvidevarer A/S Gødstrup Søvej 9, DK-7400 Danmark. Witt US, LLC POSTBOKS: 1044, 800 State Route 11, Champlain, NY 12919, USA, Witt UK & Ireland Ltd. 4 Tannery House, Tannery Lane, Send, Working, Surrey, GU23 7EF. www.witt.dk

INNEHÅLLSFÖRTECKNING

SÄKERHETSANVISNINGAR.....	51
<i>Läckagetest</i>	52
<i>Anslutning av gasbehållare</i>	53
<i>Frånkoppling av gasbehållare</i>	53
<i>Batterier</i>	54
TEKNISK INFORMATION	55
ANVISNINGAR FÖR INSTALLATION UTOMHUS.....	56
<i>Montering:</i>	57
ANVÄNDA PIZZAUGNEN/TÄNDGUIDE.....	61
RENGÖRING OCH UNDERHÅLL.....	62
FELSÖKNING	63
REKLAMATIONSRÄTT OCH SERVICE	64

SÄKERHETSANVISNINGAR

För att minska risken för brand, brandfara eller andra skador ska du läsa denna säkerhetsvägledning noggrant och i sin helhet innan du använder denna apparat.



- **ANVÄND INTE** DENNA APPARAT FÖRRÄN DU HAR LÄST BRUKSANVISNINGEN
- **PLACERA INGA** FÖREMÅL PÅ ELLER MOT DENNA APPARAT
- **FÖRVARA INTE** KEMIKALIER, BRÄNNBARA MATERIAL ELLER SPREJBURKAR I NÄRHETEN AV DENNA APPARAT
- **ANVÄND INTE** DENNA APPARAT INOMHUS
- **LÅT INTE** FETT/OLJOR, ASKA ELLER OFÖRBRÄNT BRÄNSLE ANSAMLAS I APPARATEN MELLAN ANVÄNDNINGAR.

- **VARNING:** pizzaugnets delar kan vara mycket heta!
- Endast för utomhusbruk. Använd aldrig pizzaugnen i slutna eller övertäckta utrymmen.
- Håll alltid barn och husdjur på behörigt avstånd från apparaten.
- Flytta inte apparaten under användning.
- Stäng av gasolförsörjningen vid gascylindern efter användning av apparaten.
- Modifiera inte apparaten.
- Förseglade originaldelar från tillverkaren får inte ändras av användaren.
- Använd alltid grillhandskar när du hanterar heta komponenter.
- Förvara inte apparaten inomhus om inte gasbehållaren är fränkopplad. Om apparaten inte används under en längre tid ska den tas ned och förvaras i originalförpackningen på en torr plats.

Observera: gasbehållaren ska alltid förvaras utomhus på en väl ventilerad plats. En fränkopplad gasbehållare får inte förvaras i en byggnad, ett garage eller ett annat slutet utrymme! Gasbehållare ska förvaras stående utomhus, utom räckhåll för barn.

- **VAR FÖRSIKTIG:** Rengöring och underhåll får endast utföras efter att ugnen har svalnat helt och efter att gasbehållaren har kopplats från.

- Låt aldrig kläder eller andra brännbara ämnen komma i kontakt med eller för nära brännaren eller någon het yta förrän apparaten har svalnat. Ämnet kan antändas och orsaka allvarlig personskada.
- Vissa syntetiska ämnen är ytterst brandfarliga och bör inte bäras vid matlagning. Lösa plagg eller ärmar bör aldrig bäras vid användning av ugnen.
- Under pizzaugnen blir temperaturen också mycket hög. Placera inte pizzaugnen på bord av plast eller andra brännbara material, och placera inte pizzaugnen på en duk eller liknande.
- Pizzaugnen är inte avsedd att användas ombord på en båt, i en husbil eller husvagn.
- Modifiera inte pizzaugnen eftersom det kan leda till person- eller produktskada.
- Obehöriga ändringar av pizzaugnen leder också till att garantin upphör att gälla.
- Det får inte finnas några föremål ovanför pizzaugnen som exempelvis träd eller takkonstruktioner.

LÄCKAGETEST:

- **KONTROLLERA ALLA GASANSLUTNINGAR, FÖRBINDELSER OCH MONTERINGAR PÅ APPARATEN FÖRE ANVÄNDNING:** Även om apparatens gasanslutningar har testats med avseende på läckage före förpackning och leverans måste ett fullständigt test utföras på installationsplatsen. Om du vid något tillfälle känner lukten av gas ska du omedelbart sluta använda pizzaugnen och kontrollera hela systemet efter läckage. Gör en lösning av en del flytande diskmedel och en del vatten. Du ska använda en sprayflaska, borste eller trasa för att applicera lösningen på anslutningarna. Applicera tvållösningen på alla gasanslutningar. Det bildas bubblor på de platser där det finns ett läckage. Om det finns ett läckage ska du omedelbart stänga av gasolförsörjningen och dra åt de anslutningar som läcker. Utför ett läckagetest varje gång du byter gasbehållare eller efter en längre tid utan att använda ugnen.
- Se till att ventilen är korrekt positionerad. Kontrollera att slangen inte är skadad.

VIKTIGT: om du inte kan stoppa gasläckaget ska du stänga av gasolförsörjningen och kontakta kundtjänst.

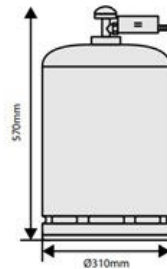
VARNING: tänd ALDRIG brännarna när du kontrollerar om det finns gasläckage.

OBSERVERA: eftersom vissa testlösningar, inklusive tvålvatten, kan vara lätt rostframkallande ska alla anslutningar sköljas med vatten efter att läckagetestet är slutfört.

Anslutning av gasbehållare:

- Gasolförsörjningen eller slangen måste uppfylla gällande krav och måste regelbundet inspekteras och bytas ut vid behov. Slangen måste uppfylla standarden SS-EN 16436. Regulatorn måste uppfylla standarden SS-EN 16129.
- FARA:** Använd inte en regulator med justerbart tryck (t.ex. den typ som används till ogräsbrännare). Risk för explosion eller brännskador.
- Nominell effekt (gastryck) måste vara mellan 28–37 mbar och 50 mbar i Tyskland, Österrike och Schweiz.
- Slitna eller skadade slangar måste bytas ut. Kontrollera att slangen inte är klämd, trasig eller i kontakt med pizzaugnen, utom på den plats där den är ansluten.
- I vissa regioner får slangen och regulatorn inte levereras med apparaten.
- Slangen till apparaten bör inte överstiga 1,5 m.
- Anslut gasbehållaren till ugnen med hjälp av slangen och regulatorn. Dra åt muttrarna noggrant, men dra inte åt för hårt eller vrid inte för hårt. Var försiktig så att du inte skadar regulatorns anslutning. Kontrollera att ALLA ventiler/knappar på ugnen är i läget OFF innan du öppnar gasbehållaren.
- Håll regulatorslangen på avstånd från vassa föremål och värmekällor.
- Före byte av gasbehållare: se till att gasförsörjningen är avstängd innan du kopplar från slangen och regulatorn från gasbehållaren (inte från själva ugnen).
- Byt ut den flexibla slangen enligt gällande nationella föreskrifter och reglerna.
- Använd inte en gasbehållare som överskrider en maximal bredd på 310 mm och höjd på 570 mm.

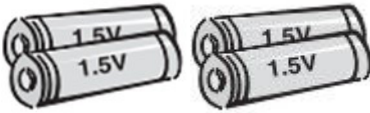
Läckagetest: När slangen och regulatorn har monterats och dragits åt i enlighet med bestämmelserna kan du öppna för gasen. Spreja därefter anslutningarna med en vatten-/tvålblandning för att kontrollera om det finns några otätheter.



OBSERVERA: Se till att gasbehållaren är helt avskärmd från ugnen.

Frånkoppling av gasbehållare:

- Vid frånkoppling av gasbehållare: Se till att ugnens på/av-knapp är i läget OFF. Se till att behållarens ventil är i stängt/avstängt läge. Lossa regulatorn från gasbehållaren och ta bort den. Var noga med att hela tiden hålla gasbehållaren på minst en meters avstånd från ugnen för att undvika risk för antändning.
- Krav/regler för regulator och slang: regulatorn som används med din gasolbrännaruugn måste vara CE-godkänd och uppfylla gällande krav och föreskrifter.



Batterier:

- Bortskaffa batterierna på ett säkert sätt och håll barn borta från batterierna för att förhindra att de sväljer dem. **Uppsök omedelbart läkarvård om ett barn sväljer ett batteri!**
- Blanda inte gamla batterier med nya. Det kan leda till att batterierna överhettas och läcker.
- Icke-uppladdningsbara batterier får inte placeras i en laddare.
- Ta inte isär, kläm inte, punktera eller skada inte batterierna på något sätt. Det kan leda till sprickor eller läckage.
- Bibehåll batteriernas hållbarhet genom att stänga av apparaten och ta ut batterierna när apparaten inte används – eller inte förväntas användas – under en längre tid.

Använd den specifika batteritypen (5 x AA-batterier).

- Sätt i batterierna på rätt sätt. Kontrollera att batteriernas poler (- och +) är vända åt rätt håll.
- Ta omedelbart ut uttjänta batterier ur apparaten och bortskaffa dem på ett säkert och korrekt sätt i enlighet med bestämmelserna. Bortskaffa inte batterierna i hushållsavfallet. De måste lämnas till närmaste återvinningscentral.

TEKNISK INFORMATION

Modellnummer	Mottagarland	Total värmeförsel	Brännare	Injektor-/ storleksmärkning	Kategorier	Gasoltyper
Witt PICCOLO Rotante	BE, CH, CY,CZ, ES,FR, GB,GR,IE,IT,LT,LU,LV,PT, SI,SK,TR, IL	5,2 kW	1	Φ 1,12 mm	I 3+(28-30/37)	G30 butan 28-30 mbar G31 propan 37 mbar
	BE, BG, CY, CZ, DK, EE, FI, GB, HR, HU, IT, LT, LU, SI, MT, NL, NO, RO, SE, KE,IS	5,2 kW	1	Φ 1,12 mm	I 3B/P(30)	G30 butan eller G31 propan 30 mbar
	AT, CH, DE, SK	5,2 kW	1	Φ 1,06 mm	I 3P(50)	G31 propan 50 mbar
	PL	5,2 kW	1	Φ 1,12 mm	I 3P(37)	G30 butan eller G31 propan 37 mbar

Produktinformation	Witt PICCOLO Rotante
Mått	650 × 535 × 440
Vikt NW/GW	19/26

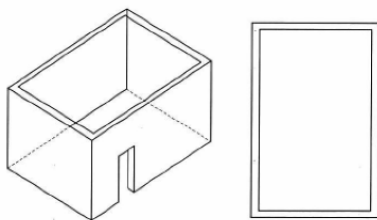
PIN CODE: 1336DO050

ANVISNINGAR FÖR INSTALLATION UTOMHUS

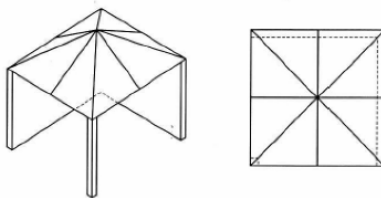
Pizzaugnen är uteslutande avsedd för utomhusbruk och får endast användas på en väl ventilerad plats, långt borta från lättantändliga material. Använd ALDRIG pizzaugnen inomhus, i garage, på verandor, i skjul eller andra slutna utrymmen. Pizzaugnen är inte avsedd att användas ombord på en båt, i en husbil eller husvagn och får inte placeras nära eller under någon yta som kan fatta eld eller är värmekänslig. Blockera inte lufttillförseln till förbränningen runt pizzaugnen när den används. Tillräcklig ventilation är nödvändig för säker och korrekt förbränning och pizzaugnens effektivitet. Det ger också säkerhet för användaren och andra personer som befinner sig i det område där pizzaugnen används. Pizzaugnen får ALDRIG användas i slutna, övertäckta utrymmen.

Som illustreras nedan måste pizzaugnen installeras utomhus på en plats som är öppen på minst 2 sidor eller upptill. Det är viktigt att det i händelse av ett eventuellt gasläckage finns en möjlighet att gasen kan komma ut och bort så att det inte sker någon explosion.

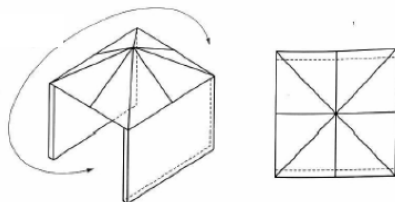
Exempel 1:
Ventilation från öppet tak och öppen dörr



Exempel 2:
Öppet i båda sidor: fram och höger

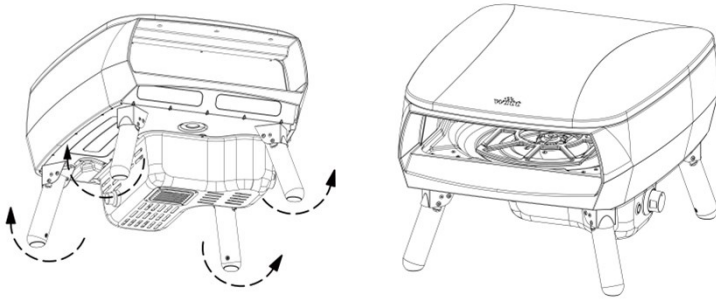


Exempel 3:
Öppet i båda sidor: fram och bak



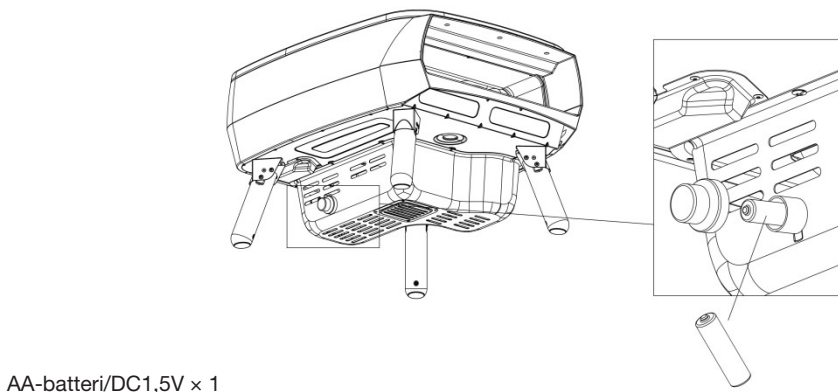
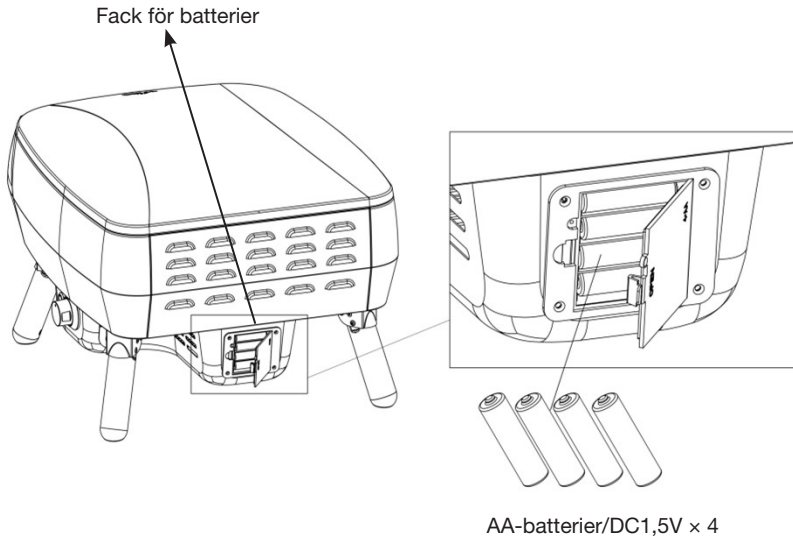
Montering:

1. Fäll ut benen helt och ställ upp pizzaugnen (observera att pizzaugnen väger upp till 19 kg).

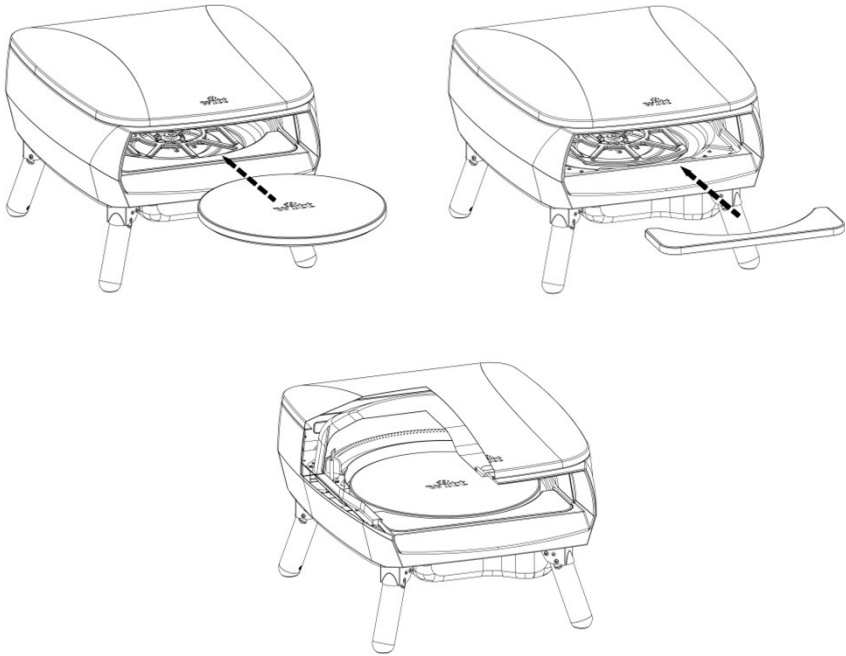


2. Skruva loss det elektroniska tändskyddet och sätt i ett AA-batteri. Observera markeringarna (+) och (-) i batterifacket. Skruva tillbaka locket på plats. Öppna batteriluckan. Sätt i 4 nya AA-batterier och placera batterierna så att (+) och (-) är vända åt rätt håll enligt anvisningarna.

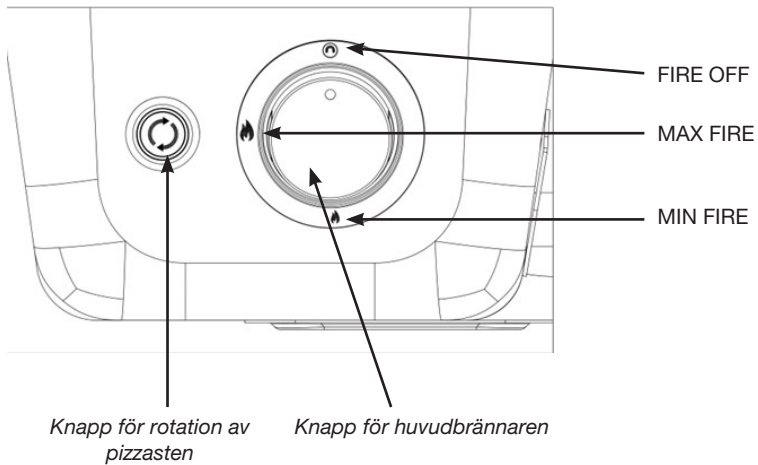
Stäng batteriluckan.



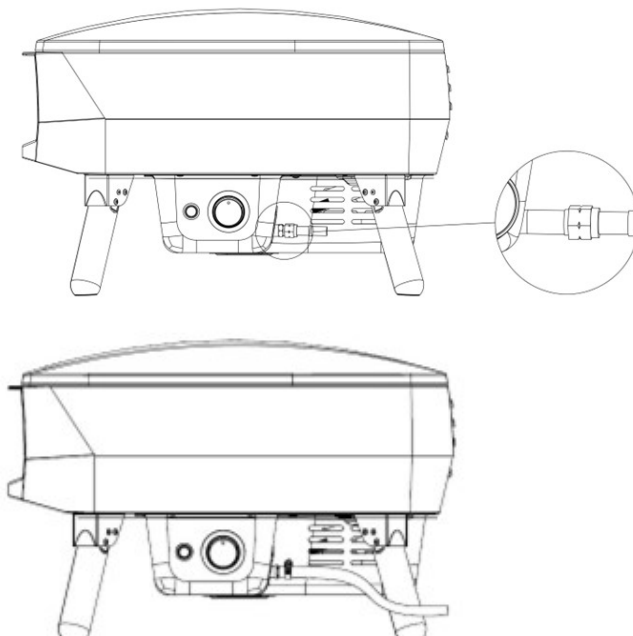
3. Ta bort förpackningen från pizzastenen och montera pizzastenen på vridtallriken.



4. Se till att brännarens knappar är avstängda (OFF) innan du ansluter gasslangen.



5. Anslut gasolslangen till pizzaugnen.

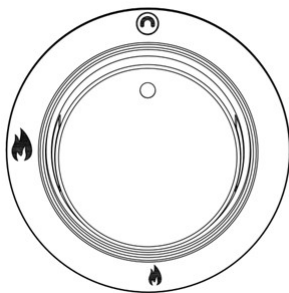


ANVÄNDA PIZZAUGNEN/TÄNDGUIDE

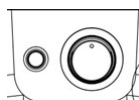
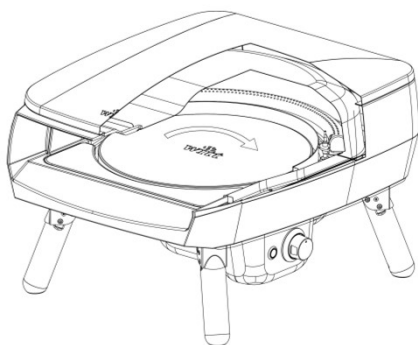
När regulatören är korrekt ansluten kan du öppna för gasolen i gasbehållaren.

Witt PICCOLO Rotante

Så här tänds du brännaren: Tryck ned och vrid samtidigt på/av-knappen långsamt moturs tills du hör ett klick och brännaren antänds. Detta tar ca 8–10 sekunder, eftersom gasolen måste passera genom bränsleröret till ugnen. Fortsätt att hålla på/av-knappen intryckt i ytterligare 10 sekunder efter tändning och släpp sedan knappen. Ställ in brännaren efter önskemål. Om brännaren inte tänds, lämna knappen i läget OFF och vänta i fem minuter innan du försöker igen.



Tryck på knappen för att pizzastenens rotation.



Symbol	Beskrivning
	Huvudbrännare
	Rotationsknapp

RENGÖRING OCH UNDERHÅLL

Utvändigt:

- Kontrollera att pizzaugnen har svalnat och är säker att röra vid innan du påbörjar den utvändiga rengöringen.
- Målade delar och plastytor kan rengöras med mild tvålsvamp och en ren trasa (använd inte skurmedel eller avfettningsmedel eller skursvampar).
- Det rekommenderas att först testa rengöringsmedlet på ett mindre område av apparaten. ANVÄND ALDRIG färgförtunningsmedel eller liknande lösningsmedel och HÅLL ALDRIG kallt vatten över varma ytor.
- Eftertorka med en mjuk trasa.

Invändigt:

- Kontrollera att pizzaugnen har svalnat och är säker att röra vid innan du påbörjar den invändiga rengöringen.
- Ta bort den runda pizzastenen och den främre stenen före rengöring.
- Använd lite bikarbonat på en våt svamp för att rengöra extra envis smuts. Använd inte skurmedel.

Pizzastenen:

- Pizzastenen är uteslutande avsedd för användning i Witt pizzaugn, den är inte avsedd för användning över öppen eld.
- Pizzastenen är ömtålig och kan gå sönder om den utsätts för stötar eller tappas.
- Pizzastenen är mycket het vid användning och förblir varm under lång tid efter användning.
- För att rengöra pizzastenen värms ugnen upp i ca 30 minuter. När pizzastenen har svalnat kan du ta bort rester från den, till exempel genom att använda Witt pizzaugnsborste.
- Pizzastenen och den främre stenen bör förvaras på en torr plats mellan varje användning, eftersom de inte tål fukt.

FELSÖKNING

Brännaren antänds inte:

Gasventilen är inte öppen.	Öppna ventilen.
Gasbehållaren är tom.	Byt ut gasbehållaren mot en ny.
Tändknappen fungerar inte.	Kontrollera batteriet.
Det finns ingen gnistbildning vid tändning.	Kontakta servicecentret.

Brännarens låga är oregelbunden:

Lågan brinner inuti brännaren (visslande ljud).	Stäng av brännaren och låt den svalna. Försök sedan att tända igen.
Regulatorn är defekt.	Kontakta servicecentret.
Injektorn är delvis blockerad.	Rengör injektorn med en tandborste. Borra inte ur och använd inte vajer/ståltråd för att ta bort blockeringar. Kontakta servicecentret.

Gasläckage från anslutningar:

Anslutningarna är lösa.	Dra åt lösa anslutningar (dra inte åt för hårt) och utför ett tryckläckagetest med en tvålvattenlösning (se anvisningarna på "Läckagetest" på sidan 4).
Slangen är skadad.	Byt ut slangens mot en ny. (Kontakta servicecentret).
Gasventilen är defekt.	Kontakta servicecentret.
Anslutningar/monteringar är skadade.	Kontakta servicecentret.

Pizzastenen roterar inte:

Pizzastenen roterar inte.	Kontrollera att kabeln från strömadaptern är korrekt ansluten och att strömmen är påslagen. Kontrollera att batterierna är korrekt isatta i batterifacket. Kontrollera om batterierna är fulladdade och byt ut dem vid behov. För att säkerställa att den främre stenen inte blockerar rotationen ska fronten tryckas framåt mot ugnens öppning.
Pizzastenen är skadad.	Kontakta servicecentret.
Knapp/kontakt eller kabel är skadad.	Kontakta servicecentret.

REKLAMATIONSRÄTT OCH SERVICE

VIKTIGT

Reklamationsrätten omfattar material och arbetslön. Vid kontakt angående service bör du uppge produktens namn, serienummer och fylla i serviceformuläret på <https://service.witt.dk/service/da/witt/pizzaservice.aspx>. Denna information finns på typskylten. Anteckna eventuellt denna information här i bruksanvisningen, så att du har den nära till hands. Det gör det lättare för servicemontören att hitta lämpliga reservdelar.

Under garantiperioden kommer din pizzaugn att repareras av Witt auktoriserade servicecenter, förutsatt att din pizzaugn levereras till och hämtas från servicecentret enligt villkoren och bestämmelserna nedan.

REKLAMATIONSRÄTT

2 år

REKLAMATIONSRÄTTEN GÄLLER INTE:

1. Fel och skador som inte är tillverknings- och materialfel.
2. Normalt, rimligt slitage (t.ex. värmemissfärgning av galler/plattor).
3. Produktskador orsakade av skadedjur.
4. Om det har använts reservdelar som inte är originaldelar.
5. Om anvisningarna i bruksanvisningen inte har följts.
6. Om installationen inte har utförts enligt anvisningarna.
7. Om icke auktoriserad fackperson har installerat eller reparerat produkten.
8. Rost och anlöpningar.

TRANSPORTSKADOR

En transportskada som konstateras vid återförsäljarens leverans hos kunden är uteslutande en sak mellan kunden och återförsäljaren. I de fall då kunden själv har stått för transporten av produkten åtar sig leverantören inga skyldigheter i samband med eventuell transportskada. Eventuella transportskador måste anmälas omgående och senast 24 timmar efter att varan levererats. I annat fall kommer kundens krav att avvisas.

KOMMERSIELLA INKÖP

Kommersiella inköp är köp av apparater som inte ska användas i privata hushåll utan för kommersiella eller affärsliknande ändamål (restaurang, kafé, matsal osv.) eller för uthyrning eller annan användning som omfattar flera användare.

I samband med kommersiella inköp lämnas ingen garanti eftersom denna produkt uteslutande är avsedd för vanliga hushåll.

För alla serviceförfrågningar:

E-post: service@wittpizza.dk

Läs mer på: www.wittpizza.com

EG-försäkran om överensstämmelse:

Witt Hvidevarer A/S bekräftar härmed att följande tillbehör uppfyller alla permanenta och väsentliga krav enligt EU-direktiv 2014/53. 1935/2004.
Witt Hvidevarer A/S Gødstrup Søvej 9, DK-7400 Danmark. Witt US, LLC
POSTBOX: 1044, 800 State Route 11, Champlain, NY 12919, USA, Witt UK & Ireland Ltd. 4 Tannery House, Tannery Lane, Send, Working, Surrey, GU23 7EF.
<http://www.wittsverige.se>

SISÄLLYSLUETTELO

TURVAOHJEET	67
<i>Vuototesti</i>	68
<i>Kaasupullon kytkentä</i>	69
<i>Kaasupullon irrotus</i>	69
<i>Paristot</i>	70
TEKNISET TIEDOT	71
ASENNUS ULKOTILOIHIN	72
<i>Asennus:</i>	73
PITSAUUNIN KÄYTTÖ/SYTYTYSOHJEET	77
PUHDISTUS JA HUOLTO	78
ONGELMIEN KARTOITUS.....	79
REKLAMAATIO JA ASIAKASPALVELU.....	80

TURVALLISUUSOHJEET

Tulipalon sekä palo- ja muiden vammojen vaaran pienentämiseksi tutustu huolellisesti koko turvallisuusohjeeseen ennen laitteen käyttöä.



- **ÄLÄ KÄYTÄ** LAITETTA, ENNEN KUIN OLET TUTUSTUNUT KÄYTTÖOHJEeseen
- **ÄLÄ ASETA** ESINEITÄ LAITTEEN PÄÄLLE TAI SITÄ VASTEN
- **ÄLÄ SÄILYTÄ** LAITTEEN LÄHELLÄ KEMIKAALEJA, HELPOSTI SYTTYVIÄ MATERIAALEJA TAI SUIHKEPULLOJA
- **ÄLÄ KÄYTÄ** LAITETTA SISÄTILOISSA
- **ÄLÄ ANNA** RASVAN/ÖLJYN, TUHKAN TAI PALAMATTOMAN POLTTOAINEEN KERTYÄ LAITTEeseen KÄYTTÖKERTOJEN VÄLILLÄ.

- VAROITUS: pitsauunin osat voivat olla kuumia!
- Vain ulkokäyttöön. Älä käytä pitsauunia suljetuissa ja katetuissa tiloissa.
- Varmista, etteivät lapset ja lemmikkieläimet pääse laitteen luokse.
- Älä siirrä laitetta käytön aikana.
- Sulje kaasun syöttö kaasupullosta laitteen käytön jälkeen.
- Älä tee laitteeseen muutoksia.
- Käyttäjät eivät saa muuttaa valmistajan sinetöimiä alkuperäisiä osia.
- Käytä kuumia osia käsitellessäsi grillauskäsineitä.
- Älä säilytä laitetta sisätiloissa, jos kaasupulloa ei ole irrotettu. Jos laite on käyttämättä pitkän aikaa, se on pakattava alkuperäiseen pakkaukseensa ja säilytettävä kuivassa paikassa.

Huomaa: kaasupullo on aina säilytettävä ulkotiloissa hyvin tuuletetussa paikassa. Laitteesta irrotettua kaasupulloa ei saa säilyttää rakennuksessa, varastossa tai muussa suljetussa tilassa. Kaasupullot on säilytettävä pystyasennossa ja ulkotiloissa poissa lasten ulottuvilta.

- TOIMI VAROEN: Uuni voidaan puhdistaa ja huoltaa vasta, kun se on täysin jäähtynyt ja kaasupullo on irrotettu siitä.

- Älä päästä vaatteita tai muita helposti syttyviä materiaaleja kosketuksiin polttimen tai kuuman pinnan kanssa tai liian lähelle niitä, ennen kuin laite on jäähtynyt. Tekstiilit voivat syttyä palamaan ja aiheuttaa loukkaantumisvaaran.
- Tietyt synteettiset kuidut ovat erittäin helposti syttyviä, eikä niitä tule pitää päällä ruoanvalmistuksen aikana. Löysiä vaatteita tai hihoja ei saa pitää päällä uunia käytettäessä.
- Pitsauunin alapuolella lämpötila nousee erittäin korkeaksi. Älä aseta pitsaunia muovipöydälle tai muiden herkästi syttyvien materiaalien tai pöytäliinan tai vastaavan päälle.
- Pitsaunia ei ole tarkoitettu käytettäväksi veneessä, asuntoautossa tai asuntovaunussa.
- Älä tee muutoksia pitsauniin, sillä se voi aiheuttaa henkilövahinkoja tai tuotevaurioita.
- Pitsauniin tehdyt luvattomat muutokset mitätöivät myös tuotteen takuun.
- Pitsauunin yläpuolella ei saa olla puiden tai kattorakenteiden kaltaisia esineitä.

UUOTOTESTI:

- **TARKISTA LAITTEEN KAIKKI KAASULIITÄNNÄT, LIITOKSET JA KYTKENNÄT ENNEN SEN KÄYTTÖÖNOTTOA:** Vaikka laitteen kaasuliitännät on testattu vuotojen varalta ennen tuotteen pakkausta ja lähetystä, myös asennuspaikalla on suoritettava täydellinen testi. Jos haistat missään vaiheessa kaasun, lopeta pitsauunin käyttö välittömästi ja tarkista vuodot koko järjestelmästä. Tee seos, jossa on yksi osa nestemäistä astianpesuainetta ja yksi osa vettä. Seos levitetään liitäntöihin suihkepullolla, pensselillä tai liinalla. Levitä pesuaineseosta kaikkiin kaasuliitäntöihin. Seoksesta muodostuu saippuakuplia vuotokohtiin. Jos vuoto löytyy, katkaise kaasun syöttö välittömästi ja kiristä vuotavat liitännät. Suorita vuototesti aina kaasupullon vaihdon yhteydessä tai kun uunia ei ole käytetty pitkään aikaan.
- Varmista, että venttiili on oikeassa asennossa. Varmista, että letku ei ole vaurioitunut.

TÄRKEÄÄ: jos et pysty pysäyttämään kaasuvuotoa, katkaise kaasun syöttö ja ota yhteyttä asiakaspalveluun.

VAROITUS: ÄLÄ sytytä polttimia vuototestin aikana.

HUOMAA: jotkin testiseokset, kuten saippuavesi, voivat aiheuttaa lievää ruostumista, minkä vuoksi kaikki liitännät on huuhdeltava vedellä vuototestin päätyttyä.

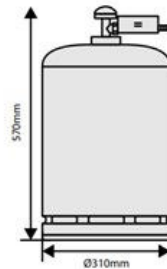
Kaasupullon kytkentä:

- Kaasun syötön ja letkun on oltava vaatimusten mukainen, ja se on tarkastettava säännöllisesti ja vaihdettava tarvittaessa. Letkun on oltava EN16436-standardin mukainen. Säätimen on oltava EN16129-standardin mukainen.

VAARA: Älä käytä säädintä, jossa on säädettävä paine (esim. rikkaruohonpolttimissa käytettävää tyyppiä). Räjähdyksen ja palovammojen vaara.

- Nimellistehon (kaasunpaineen) on Saksassa, Itävallassa ja Sveitsissä oltava 28–37 mbar ja 50 mbar.
- Kuluneet tai vaurioituneet letkut on vaihdettava. Tarkista, ettei letku ole puristuksissa, taittunut tai kosketuksissa pitsauunin kanssa lukuun ottamatta kohtaa, johon se on liitetty.
- Joillakin alueilla letkua ja säädintä ei saa toimittaa yhdessä laitteen kanssa.
- Laitteeseen tulevan letkun pituus saa olla enintään 1,5 m.
- Yhdistä kaasupullo uuniin letkulla ja säätimellä. Kiristä mutterit varovasti, mutta älä kiristä liikaa tai väännä niitä. Varo vaurioittamasta säätimen liitäntää. Tarkista ennen kaasupullon avaamista, että KAIKKI uunin venttiilit ja painikkeet ovat OFF-asennossa.
- Säätimen letku on pidettävä erillään terävistä esineistä ja lämmönlähteistä.
- Ennen kaasupullon vaihtoa: varmista, että kaasun syöttö on katkaistu, ennen kuin irrotat letkun ja säätimen pullosta (ei itse uunista).
- Vaihda taipuisa letku sovellettavien kansallisten määräysten ja sääntöjen mukaisesti.
- Älä käytä nestekaasupulloa, jonka enimmäisleveys on yli 310 mm ja korkeus yli 570 mm.

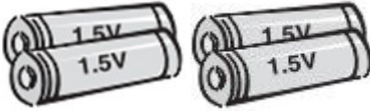
Vuototesti: Kun letku ja säädin on asennettu ja kiristetty ohjeiden mukaisesti, avaa kaasun syöttö. Suihkuta sitten liitokset vesi-saippuaseoksella mahdollisten vuotojen tarkistamiseksi.



HUOMAA: Varmista, että kaasupullo on täysin suojattu uunista.

Kaasupullon irrotus:

- Kaasupulloa irrotettaessa: Varmista, että uunin käynnistyspainike on käännetty OFF-asentoon. Varmista, että säiliön venttiili on pois päältä/suljettu. Irrota säädinkokoonpano kaasupullost. Pidä kaasupullo koko ajan vähintään yhden metrin etäisyydellä uunista syttymisen estämiseksi.
- Säädintä ja letkua koskevat vaatimukset/säännöt: kaasupolttimella varustetun uunin kanssa käytettävän säätimen on oltava CE-hyväksytty ja täytettävä sovellettavat vaatimukset ja määräykset.



Paristot:

- Hävitä paristot turvallisesti ja pidä ne poissa lasten ulottuvilta, jotta he eivät nielaise niitä. **Jos lapsi nielaisee pariston, ota välittömästi yhteys lääkäriin!**
- Älä sekoita uusia ja vanhoja paristoja keskenään. Se voi aiheuttaa paristojen ylikuumenemisen ja vuotamisen.
- Ei-ladattavia paristoja ei saa ladata.
- Älä pura, purista, puhkaise tai vaurioita paristoja muulla tavoin. Se voi aiheuttaa repeämiä tai vuotoja.
- Paristojen käyttöään pidentämiseksi kytke laite pois päältä ja poista paristot, kun laitetta ei käytetä tai ole tarkoitus käyttää pitkään aikaan.
- Käytä ilmoitettua paristotyyppiä (5 x AA-paristoja).
- Aseta paristot oikein päin. Varmista, että paristojen navat (- ja +) ovat oikein päin.
- Poista käytetyt paristot välittömästi laitteesta, ja hävitä ne turvallisesti ja määräysten mukaisesti. Älä heitä paristoja roskeen, vaan vie ne lähimpään keräyspisteeseen.

TEKNISET TIEDOT

Mallinnumero	Maat	Kokonaislämmöntuotto	Polttimet	Suutin/kokomerkinä	Luokat	Kaasutyypit
Witt PICCOLO Rotante	BE, CH, CY,CZ, ES,FR, GB,GR,IE,IT,LT,LU,LV,PT, SI,SK,TR, IL	5,2 kW	1	Φ 1,12 mm	I 3+(28-30/37)	Butaani G30 28-30 mbar Propani G31 37 mbar
	BE, BG, CY, CZ, DK, EE, FI, GB, HR, HU, IT, LT, LU, SI, MT, NL, NO, RO, SE, KE,IS	5,2 kW	1	Φ 1,12 mm	I 3B/P(30)	Butaani G30 tai Propani G31 30 mbar
	AT, CH, DE, SK	5,2 kW	1	Φ 1,06 mm	I 3P(50)	Propani G31 50 mbar
	PL	5,2 kW	1	Φ 1,12 mm	I 3P(37)	Butaani G30 tai Propani G31 37 mbar

Tuotteen tiedot	Witt PICCOLO Rotante
Mitat	650 × 535 × 440
Netto/kokonaispaino	19 / 26

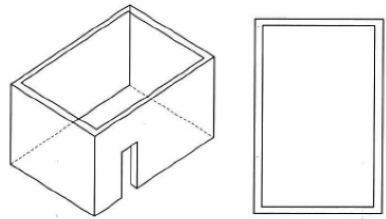
PIN CODE: 1336DO050

ASENNUS ULKOTILOIHIN

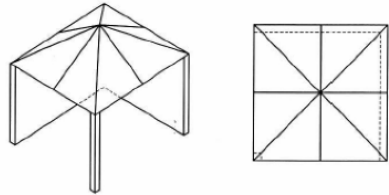
Pitsauuni on tarkoitettu vain ulkokäyttöön ja sitä saa käyttää vain hyvin tuuletetussa paikassa kaukana herkästi syttyvistä materiaaleista. ÄLÄ KÄYTÄ pitsaunia sisätiloissa, autotallissa, terassilla, varastossa tai muissa suljetuissa tiloissa. Pitsaunia ei ole tarkoitettu käytettäväksi veneessä, asuntoautossa tai asuntovaunussa, eikä sitä saa sijoittaa sellaisten pintojen, jotka voivat syttyä palamaan tai eivät kestä kuumuutta, alle tai lähelle. Älä estä pitsauunin ilmansyöttöä ja palamista, kun se on käytössä. Riittävä tuuletus on tarpeen turvallisen ja puhtaan palamisen sekä pitsauunin tehokkuuden varmistamiseksi. Se varmistaa myös käyttäjän ja muiden henkilöiden turvallisuuden alueella, jossa pitsaunia käytetään. Pitsaunia EI SAA käyttää suljetuissa ja katetuissa tiloissa.

Pitsauuni on alla olevan kuvan mukaisesti asennettava ulkotiloihin paikkaan, joka on avoin vähintään kahdelta sivulta tai yläosastaan. On tärkeää, että kaasuvuodon sattuessa kaasu pääsee poistumaan, jotta voidaan välttää räjähdys.

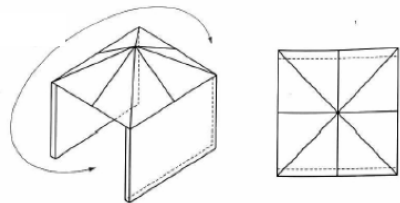
Esimerkki 1:
Tuuletus avoimen katon ja oviaukon kautta.



Esimerkki 2:
Avoin kahdelta sivulta: edestä ja oikealta

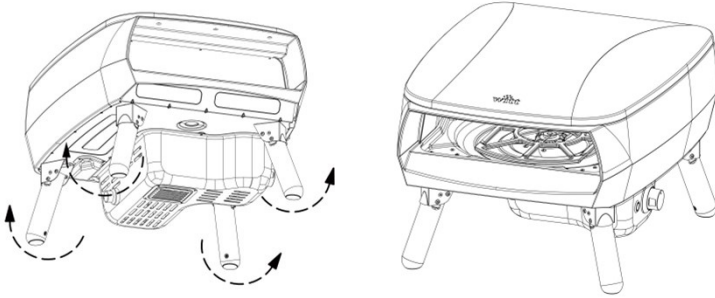


Esimerkki 3:
Avoin kahdelta sivulta: Edestä ja takaa



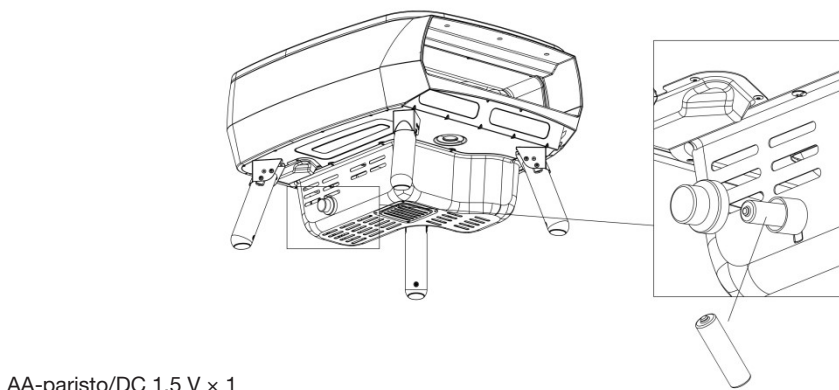
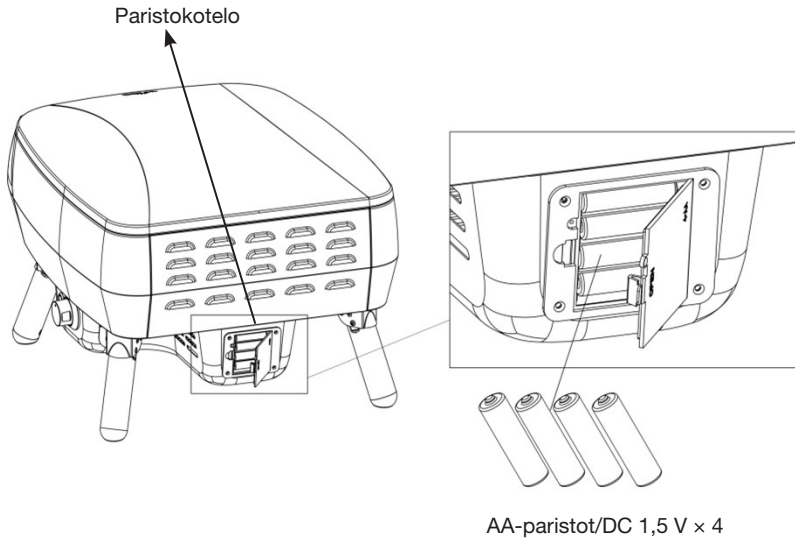
Asennus:

1. Avaa jalat kokonaan ja laita pitsauuni paikoilleen.
(Huomaa, että uuni painaa jopa 19 kg.)

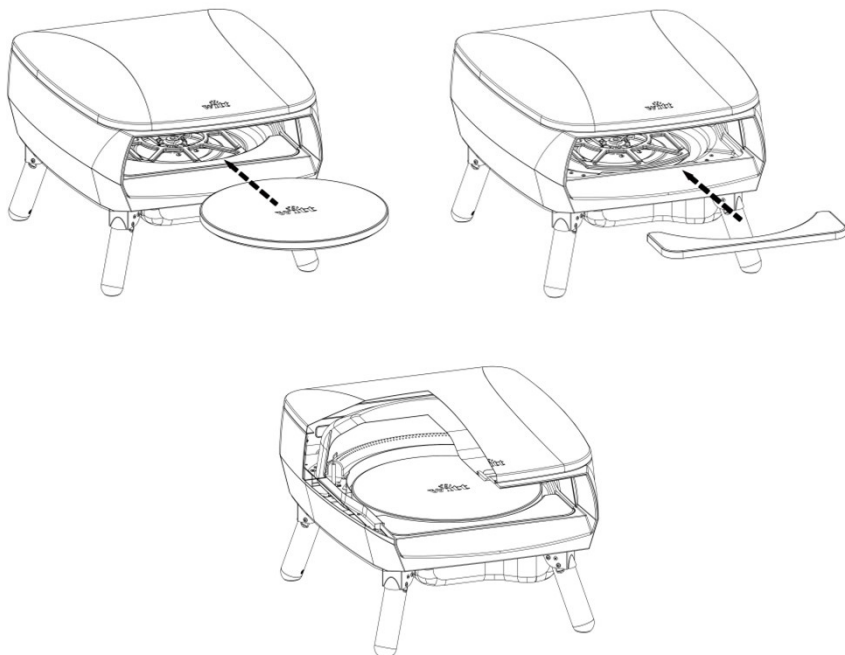


2. Kierrä elektronisen sytyttimen kansi auki ja aseta sinne AA-paristo. Huomaa paristokotelon (+)- ja (-)-merkinnät. Kierrä kansi takaisin paikalleen. Avaa paristokotelon kansi. Aseta sinne 4 uutta AA-paristoa, ja varmista, että niiden navat (+) ja (-) ovat oikein päin merkintöjen mukaisesti.

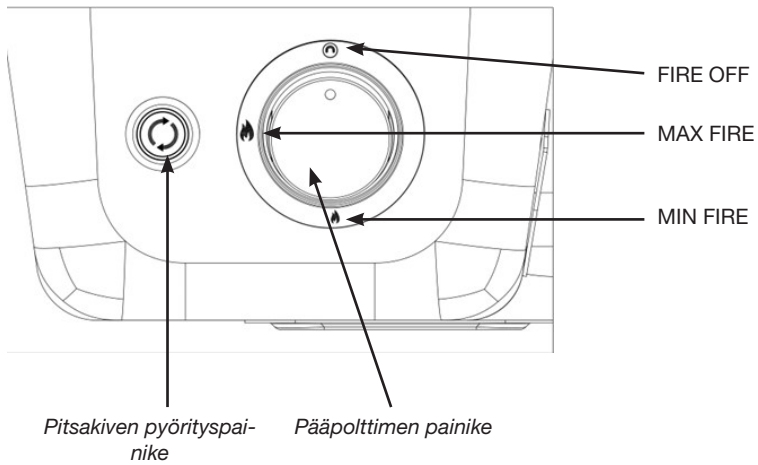
Sulje paristokotelon kansi.



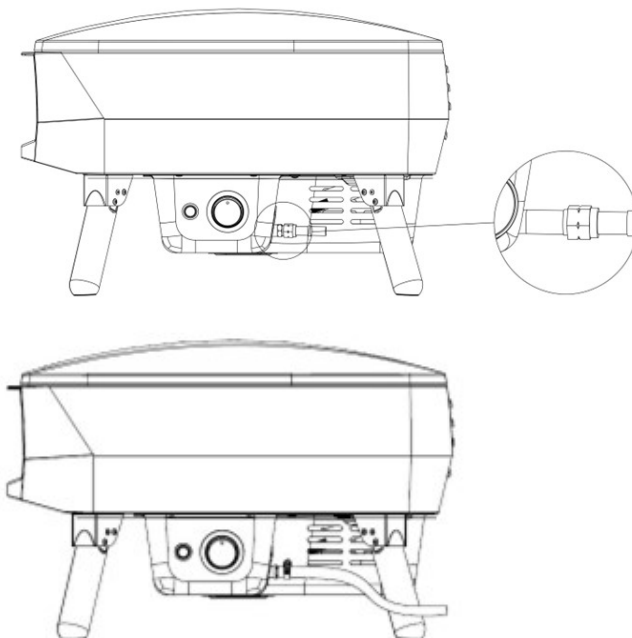
3. Poista pitsakiven pakkaus ja aseta kivi pyörivälle lautaselle.



4. Varmista ennen kaasuletkun kytkemistä, että polttimen painikkeet ovat OFF-asennossa.



5. Liitä kaasuletku pitsauuniin.

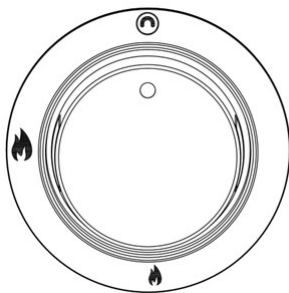


PITSAUNIN KÄYTTÖ/SYTYTYSOHJEET

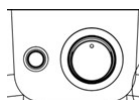
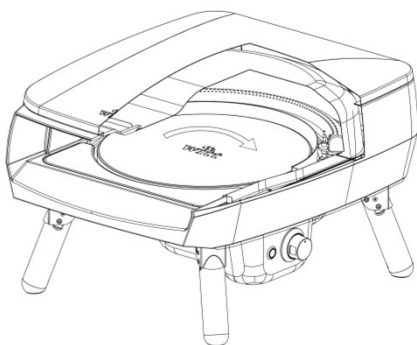
Kun säädin on kytketty oikein, kaasun syöttö voidaan avata kaasupullosta.

Witt PICCOLO Rotante

Polttimen sytytys: Paina ja kierrä käynnistuspainiketta samanaikaisesti hitaasti vastapäivään, kunnes kuuluu napsahdus ja poltin syttyy palamaan. Tähän kuluu noin 8–10 sekuntia, sillä kaasu on johdettava putkea pitkin uuniin. Pidä käynnistuspainike painettuna vielä 10 sekunnin ajan sytytyksen jälkeen, ja vapauta se sitten. Säädä poltin halutulle tasolle. Jos poltin ei syty palamaan, jätä painike OFF-asentoon ja odota viisi minuuttia ennen uutta yritystä.



Paina painiketta pitsakiven pyörytyksen käynnistämiseksi.



Symboli	Kuvaus
	Pääpoltin
	Pyörytyspainike

Ulkopuolelta:

- Varmista, että pitsauuni on jäähtynyt ja turvallinen koskea, ennen kuin alat puhdistaa sitä ulkopuolelta.
- Maalatu ja muoviset pinnat puhdistetaan miedolla saippuavedellä ja puhtaalla liinalla (älä käytä hankaavia tai rasvaa poistavia aineita tai hankaussieniä).
- Puhdistusainetta on suositeltavaa testata ensin pienelle alueelle laitteessa. ÄLÄ KÄYTÄ maalinohenteita tai vastaavia liuottimia ÄLÄKÄ KAADA kylmää vettä kuumille pinnoille.
- Kuivaa lopuksi liinalla.

Sisäpuolelta:

- Varmista, että pitsauuni on jäähtynyt ja turvallinen koskea, ennen kuin alat puhdistaa sitä sisäpuolelta.
- Poista pyöreä pitsakivi ja etummainen kivi puhdistusta varten.
- Pinttynyt lika puhdistetaan kostealla sienellä, johon on laitettu hiukan ruokasoodaa. Älä käytä hankaavia aineita.

Pizza Stone:

- Pitsakivi on tarkoitettu käytettäväksi vain Witt-pitsauunissa, eikä se sovellu käytettäväksi avotulella.
- Pitsakivi on hauras ja voi pirstoutua, jos siihen kohdistuu isku tai se putoaa.
- Pitsakivi on erittäin kuuma käytön aikana ja pysyy kuumana pitkään käytön jälkeen.
- Pitsakiven puhdistusta varten uunia on lämmitettävä noin 30 minuuttia. Kun pitsakivi on jäähtynyt, lika voidaan poistaa siitä esimerkiksi Witt-pitsauuniharjalla.
- Pitsakivi ja etummainen kivi on säilytettävä kuivassa paikassa, kun ne eivät ole käytössä, sillä ne eivät kestä kosteutta.

ONGELMIEN KARTOITTAMINEN

Poltin ei syty palamaan:

Kaasuventtiili on kiinni.	Avaa venttiili.
Kaasupullo on tyhjä.	Vaihda uusi kaasupullo.
Sytytyspainike ei toimi.	Tarkista paristot.
Sytytettäessä ei synny kipinöitä.	Ota yhteys huoltokeskukseen.

Polttimen liekki palaa epätasaisesti:

Liekki palaa polttimen sisällä (viheltävä ääni).	Sammuta poltin ja anna sen jäähtyä. Yritä sytyttää poltin sen jälkeen uudelleen.
Säädin on viallinen.	Ota yhteys huoltokeskukseen.
Suutin on osittain tukkeutunut.	Puhdista suutin hammasharjalla. Älä poraa suutinta äläkä poista tukkeumia vajjerilla tai teräslangalla. Ota yhteys huoltokeskukseen.

Kaasuvuoto liitosten välissä:

Liitännät ovat löysä.	Kiristä liitännät (älä kiristä liikaa) ja tee paineistettu vuototesti saippuavettä käyttämällä (katso ohjeet kohdasta Vuototesti sivulta 4).
Letku on vaurioitunut.	Vaihda uusi letku. (Ota yhteys huoltokeskukseen.)
Kaasuventtiili on viallinen.	Ota yhteys huoltokeskukseen.
Kytkenät/liitännät ovat vahingoittuneet.	Ota yhteys huoltokeskukseen.

Pitsakivi ei pyöri:

Pitsakivi ei pyöri.	Tarkista, että virtalähteen johto on kytketty oikein ja että virta on kytketty päälle. Tarkista, että paristot on asennettu oikein paristokoteloon. Tarkista, että akut on ladattu täyteen ja vaihda ne tarvittaessa. Jotta etummainen kivi ei estä pyörimistä, sitä on työnnettävä eteenpäin uunin aukkoa kohti.
Pitsakivi on vahingoittunut.	Ota yhteys huoltokeskukseen.
Painike/liitäntä tai johto on vahingoittunut.	Ota yhteys huoltokeskukseen.

REKLAMAATIO-OIKEUS JA ASIAKASPALVELU

TÄRKEÄÄ

Takuu kattaa materiaalit ja työn. Palvelua tilattaessa on ilmoitettava tuotteen nimi ja sarjanumero sekä täytettävä huoltolomake osoitteessa

<https://service.witt.dk/service/da/witt/pizzaservice.aspx>.

Tiedot löytyvät tuotteen tyyppikilvestä. Kirjoita tarvittaessa ylös tässä käyttöohjeessa olevat tiedot, jotta ne ovat helposti saatavilla. Näin huoltoteknikon on helpompi löytää oikeat varaosat.

Takuuaikana pitsauunin korjauksesta huolehtii Wittin valtuuttama huoltokeskus, jos laite toimitetaan ja noudetaan huoltokeskuksesta alla olevien ehtojen mukaisesti.

REKLAMAATIO-OIKEUS

2 vuotta

REKLAMAATIO-OIKEUS EI OLE VOIMASSA SEURAAVISSA TAPAUKSISSA:

1. Viat ja vauriot, jotka eivät johdu valmistus- ja materiaalivirheistä.
2. Tavallinen ja tyypillinen kuluminen (esim. kuumuuden aiheuttamat värimuutokset ritilöissä ja levyissä).
3. Tuhoeläinten aiheuttamat tuotevauriot.
4. Jos on käytetty muita kuin alkuperäisiä varaosia.
5. Jos käyttöohjetta ei ole noudatettu.
6. Jos asennusta ei ole tehty ohjeiden mukaisesti.
7. Jos tuotteen on asentanut tai sitä on korjannut muu kuin asiantunteva henkilö.
8. Ruoste ja hapettumat.

KULJETUSVAURIOT

Kuljetusvaurio, joka syntyy jälleenmyyjän toimittaessa tuotetta asiakkaalle, on vain asiakkaan ja jälleenmyyjän välinen asia. Tapauksissa, joissa asiakas on vastannut tuotteen kuljetuksesta, toimittaja ei ole vastuussa mahdollisista kuljetusvaurioista. Mahdolliset kuljetusvauriot on ilmoitettava välittömästi ja viimeistään 24 tunnin kuluessa tavarantoimituksesta. Muussa tapauksessa asiakkaan reklamaatio hylätään.

YRITYSASIAKKAAT

Yritysassiakkaita ovat kaikki asiakkaat, joiden hankkimia laitteita ei käytetä kotitalouksissa, vaan sen sijaan liiketoimintaan tai vastaaviin tarkoituksiin (ravintoloissa, kahviloissa, ruokaloissa ym.) tai vuokraukseen tai muuhun useiden käyttäjien käyttöön.

Takuu ei koske yritysasiakkaita, koska tuote on tarkoitettu vain tavalliseen kotitalouskäyttöön.

Huoltoa koskevat kysymykset:

SÄHKÖPOSTI: service@wittpizza.dk

Lisätietoja: www.wittpizza.com

Vaatimustenmukaisuusvakuutus

Witt Hvidevarer A/S vakuuttaa, että seuraavat lisävarusteet täyttävät EU-direktiivien 2014/53 ja 1935/2004 pysyvät ja olennaiset vaatimukset. Witt Hvidevarer A/S Gødstrup Søvej 9, DK-7400 Tanska. Witt US, LLC POSTBOKS: 1044, 800 State Route 11, Champlain, NY 12919, USA, Witt UK & Ireland Ltd. 4 Tannery House, Tannery Lane, Send, Working, Surrey, GU23 7EF. www.witt.fi

SOMMAIRE

CONSIGNES DE SÉCURITÉ	83
TEST D'ÉTANCHÉITÉ.....	84
RACCORDEMENT DE LA BOUTEILLE DE GAZ	85
DÉBRANCHEMENT DE LA BOUTEILLE DE GAZ	85
BATTERIES	86
INFORMATIONS TECHNIQUES	87
GUIDE D'INSTALLATION À L'EXTÉRIEUR	88
MONTAGE :	89
UTILISATION DU FOUR À PIZZA/GUIDE DE MISE EN MARCHÉ	93
WITT PICCOLO ROTANTE :	94
NETTOYAGE ET MAINTENANCE.....	94
DÉPANNAGE	95
GARANTIE ET SERVICE	96

CONSIGNES DE SÉCURITÉ

Pour réduire le risque d'incendie ou d'autres dommages, veuillez lire attentivement et intégralement ce guide de sécurité avant d'utiliser cet appareil.



- N'UTILISEZ PAS CET APPAREIL AVANT D'AVOIR LU LES INSTRUCTIONS D'UTILISATION.
- NE PLACEZ PAS D'OBJETS SUR OU CONTRE CET APPAREIL
- NE GARDEZ PAS DE PRODUITS CHIMIQUES, DE MATÉRIAUX INFLAMMABLES OU D'AÉROSOLS À PROXIMITÉ DE CET APPAREIL
- N'UTILISEZ PAS CET APPAREIL À L'INTÉRIEUR
- NE LAISSEZ PAS LES MATIÈRES GRASSES, LES HUILES, LES CENDRES OU LE COMBUSTIBLE NON BRÛLÉ S'ACCUMULER DANS L'APPAREIL ENTRE LES UTILISATIONS.

- **AVERTISSEMENT** : les parties du four à pizza peuvent être très chaudes !
- Réservé à un usage extérieur. N'utilisez jamais le four à pizza dans des pièces fermées ou couvertes.
- Tenez les enfants et les animaux domestiques à l'écart de l'appareil à tout moment.
- Ne déplacez pas l'appareil pendant son utilisation.
- Coupez l'alimentation en gaz au niveau de la bouteille de gaz après avoir utilisé l'appareil.
- Ne déplacez pas l'appareil pendant son utilisation.
- Les pièces originales scellées du fabricant ne doivent pas être modifiées par l'utilisateur.
- Portez toujours des gants anti-chaueur lorsque vous manipulez des éléments chauds.
- Ne rangez pas l'appareil à l'intérieur si la bouteille de gaz n'est pas débranchée. Si l'appareil reste inutilisé pendant une période prolongée, il doit être retiré et stocké dans son emballage original dans un endroit sec.

Remarque : la bouteille de gaz doit toujours être stockée à l'extérieur, dans un endroit bien ventilé. Une bouteille de gaz débranchée ne doit pas être stockée dans un bâtiment, dans un garage ou dans un autre endroit fermé ! Les bouteilles de gaz doivent être stockées debout à l'extérieur, dans un endroit inaccessible aux enfants.

- **ATTENTION** : Le nettoyage et la maintenance ne doivent être effectués que lorsque le four est complètement refroidi et lorsque la bouteille de gaz est débranchée.
- Ne laissez jamais de vêtements ou d'autres matériaux inflammables entrer en contact ou être trop près du brûleur ou de toute surface chaude jusqu'à ce que l'appareil ait refroidi. Le matériau peut s'enflammer et causer des blessures graves.
- Certaines matières synthétiques sont hautement inflammables et ne doivent pas être portés lors de l'utilisation du four. Il convient de ne pas porter de vêtements ou de manches amples lors de l'utilisation du four.
- Le dessous du four atteint également des températures élevées. Ne placez pas le four à pizza sur des tables en plastique ou d'autres surfaces combustibles, sur des nappes ou des surfaces similaires.
- Le four à pizza n'est pas destiné à être utilisé sur des bateaux, dans des camping-cars ou dans des caravanes.
- Ne faites pas de modification sur le four à pizza, car vous risquez de vous blesser ou d'endommager l'appareil.
- Les modifications non autorisées apportées au four à pizza entraîneront également l'annulation de la garantie.
- Le four à pizza ne doit pas être surplombé par des arbres ou des structures de toit.

TEST D'ÉTANCHÉITÉ :

- **VÉRIFIEZ TOUS LES RACCORDS DE GAZ, LES CONNEXIONS ET LES JOINTS DE**

L'APPAREIL AVANT DE L'UTILISER : Bien que les raccords de gaz de l'appareil aient fait l'objet d'un test d'étanchéité avant l'emballage et l'expédition, un test complet doit être effectué sur le site d'installation. Si vous sentez une odeur de gaz, arrêtez immédiatement d'utiliser le four à pizza et vérifiez l'étanchéité de l'ensemble du système. Préparez une solution avec une goutte de détergent liquide pour vaisselle et un peu d'eau. Vous aurez besoin d'un flacon pulvérisateur, d'un pinceau ou d'un chiffon pour appliquer la solution sur les raccords. Appliquez la solution savonneuse sur tous les raccords de gaz. Il y aura des bulles de savon aux endroits où il y a une fuite. En cas de fuite, coupez immédiatement l'alimentation en gaz et resserrez les éléments qui fuient. Effectuez un test d'étanchéité chaque fois que vous changez le réservoir de gaz, ou après une période prolongée pendant laquelle le four n'a pas été utilisé.

- Assurez-vous que la valve est correctement positionnée. Assurez-vous que le tuyau n'est pas endommagé.

IMPORTANT : si la fuite de gaz ne peut être arrêtée, coupez l'alimentation en gaz et contactez le service clientèle.

AVERTISSEMENT : N'allumez **JAMAIS** les brûleurs pendant que vous vérifiez les fuites de gaz.

NOTE : Comme certaines solutions de test, y compris l'eau savonneuse, peuvent provoquer de la rouille, tous les raccords doivent être rincés à l'eau une fois que le test d'étanchéité est terminé.

Raccordement de la bouteille de gaz :

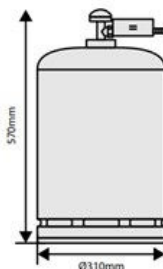
- L'alimentation en gaz ou le tuyau doivent être conformes aux exigences applicables et doivent être régulièrement examinés et remplacés si nécessaire. Le tuyau doit être conforme à la norme EN16436. Le régulateur doit être conforme à la norme EN16129.

DANGER : N'utilisez pas de régulateur de pression réglable (comme ceux utilisés pour

les brûleurs de mauvaises herbes). Risque d'explosion ou de combustion.

- La puissance nominale (pression du gaz) est comprise entre 28 et 37 mbar, et 50 mbar en Allemagne, en Autriche et en Suisse.
- Les tuyaux usés ou endommagés doivent être remplacés. Vérifiez que le tuyau n'est pas écrasé, fendu ou en contact avec le four à pizza, sauf à l'endroit où il est connecté
- Dans certaines régions, le tuyau et le régulateur peuvent ne pas être fournis avec l'appareil.
- Le tuyau de l'appareil ne doit pas dépasser 1,5 mètre.
- Raccordez la bouteille de gaz au four à l'aide du tuyau et du régulateur. Serrez les écrous avec précaution, mais sans trop les serrer ni les tordre. Veillez à ne pas endommager les raccords du régulateur. Assurez-vous que TOUS les vannes et tous les boutons du four sont en position Off avant d'ouvrir la bouteille de gaz.
- Le tuyau du régulateur doit être tenu à l'écart des objets tranchants et des sources de chaleur.
- Avant de remplacer la bouteille de gaz : assurez-vous que le gaz est éteint avant de débrancher le tuyau et le régulateur de la bouteille (et non du four-lui-même).
- Remplacez le tuyau flexible conformément aux directives nationales applicables.
- N'utilisez pas de bouteille de GPL dont la largeur maximale est de 310 mm et la hauteur de 570 mm.

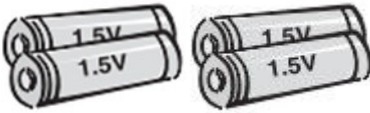
Test d'étanchéité : Une fois que le tuyau et le régulateur sont installés et fixés conformément aux instructions, le gaz peut être allumé. Vaporisez ensuite les joints avec un mélange d'eau et de savon pour vérifier qu'il n'y a pas de fuites.



REMARQUE : Assurez-vous que la bouteille de gaz est entièrement protégée du four

Débranchement de la bouteille de gaz :

- Lors du débranchement de la bouteille de gaz : Assurez-vous que le bouton marche/arrêt du four est en position OFF. Assurez-vous que la vanne de la bouteille de gaz est en position fermée. Débranchez l'ensemble du régulateur de la bouteille de gaz et retirez-le. Veillez à ce que la bouteille de gaz se trouve à au moins un mètre du four pour éviter tout risque d'inflammation.
- Exigences/règles relatives au régulateur et au tuyau : le régulateur utilisé avec votre four à gaz doit être homologué CE et conforme aux exigences et réglementations applicables.



Piles :

- Mettez les piles au rebut de manière responsable et gardez-les hors de portée des enfants au cas où ils les avaleraient. Si un enfant avale une pile, contactez immédiatement un médecin !
- Ne mélangez pas de piles usagées avec des piles neuves. Cela peut entraîner une surchauffe et une fuite des piles.
- Les piles non rechargeables ne doivent pas être placées dans un chargeur.
- Ne démontez pas, ne pressez pas, ne percez pas et n'endommagez pas les piles de quelque manière que ce soit. Cela pourrait entraîner des fractures ou des fuites.
- Préservez la durabilité des piles en éteignant l'appareil et en retirant les piles lorsque l'appareil n'est pas utilisé ; ou n'est pas prévu d'être utilisé, pendant une période prolongée.
- Utilisez le type de pile spécifique (5 piles AA).
- Insérez les piles correctement. Assurez-vous que les pôles (- et +) des piles sont tournés dans le bon sens.
- Les piles usagées doivent être retirées immédiatement de l'appareil et mises au rebut de manière sécurisée et correcte, conformément à la réglementation en vigueur. Ne jetez pas les piles à la poubelle, elles doivent être déposées dans le centre de recyclage le plus proche..

INFORMATIONS TECHNIQUES

Modèle Numéro	Pays destinataire	Total chaleur alimentation	brûleurs	Injecteur/ Taille	Catégories	Types de gaz
Witt PICCOLO Rotante	BE, CH, CY,CZ, ES,FR, GB,GR,IE,IT,LT,LU,LV,PT, SI,SK,TR, IL	5,2kw	1	Φ 1.12mm	I 3+(28~30/37)	G30 Butane 28~30mbar G31 Propane 37mbar
	BE, BG, CY, CZ, DK, EE, FI, GB, HR, HU, IT, LT, LU, SI, MT, NL, NO, RO, SE, KE,IS	5,2kw	1	Φ 1.12mm	I 3B/P(30)	G30 Butane ou G31 Propane 30mbar
	AT, CH, DE, SK	5,2kw	1	Φ 1.06mm	I 3P(50)	G31 Propane 50mbar
	PL	5,2kw	1	Φ 1.12mm	I 3P(37)	G30 Butane ou G31 Propane 37mbar

Détails du produit	Witt PICCOLO Rotante
Dimensions	650 × 535 × 440
Poids Net/Poids Brut (en KG)	19 / 26

PIN CODE: 1336DO050

GUIDE D'INSTALLATION À L'EXTÉRIEUR

Le four à pizza est destiné exclusivement à un usage extérieur et ne peut être utilisé que dans un endroit bien ventilé, à l'écart des matériaux combustibles.

N'utilisez JAMAIS le four à pizza à l'intérieur, dans des garages, des vérandas, des abris de jardin

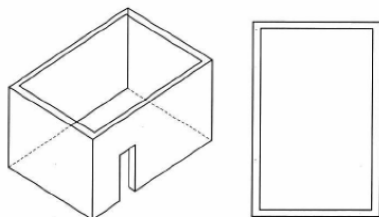
ou d'autres espaces clos. • Le four à pizza n'est pas destiné à être utilisé sur des bateaux, dans des camping-cars

ou des caravanes et ne doit pas être placé à proximité ou en dessous d'une surface susceptible de brûler ou sensible à la chaleur. Ne bloquez pas l'arrivée d'air et la combustion autour du four à pizza lorsqu'il est utilisé. Une ventilation adéquate est nécessaire au

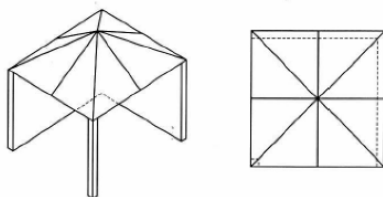
bon fonctionnement et à l'efficacité du four à pizza. Cela est également plus sûr pour l'utilisateur et les autres personnes se trouvant dans la zone où le four à pizza est utilisé. Le four à pizza ne doit JAMAIS être utilisé dans des espaces clos et couverts.

Comme illustré ci-dessous, le four à pizza doit être installé à l'extérieur, dans un endroit ouvert sur au moins deux côtés ou par le haut. Il est important de noter qu'en cas de fuite de gaz, il est possible que le gaz s'échappe et s'éloigne, évitant ainsi qu'une explosion ne se produise.

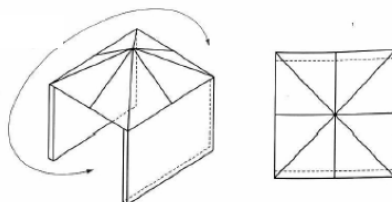
Exemple 1 :
Ventilation à partir d'un toit ouvert et d'une porte ouverte



Exemple 2 :
Ouvert des deux côtés : Avant et droite

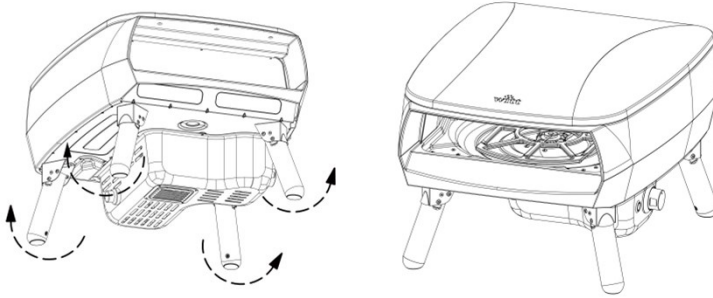


Exemple 3 :
Ouvert des deux côtés : Avant et arrière



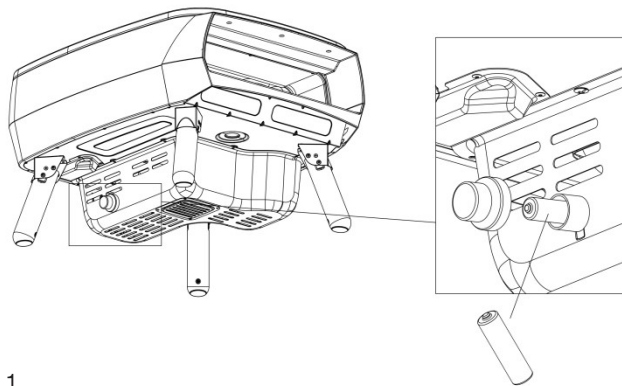
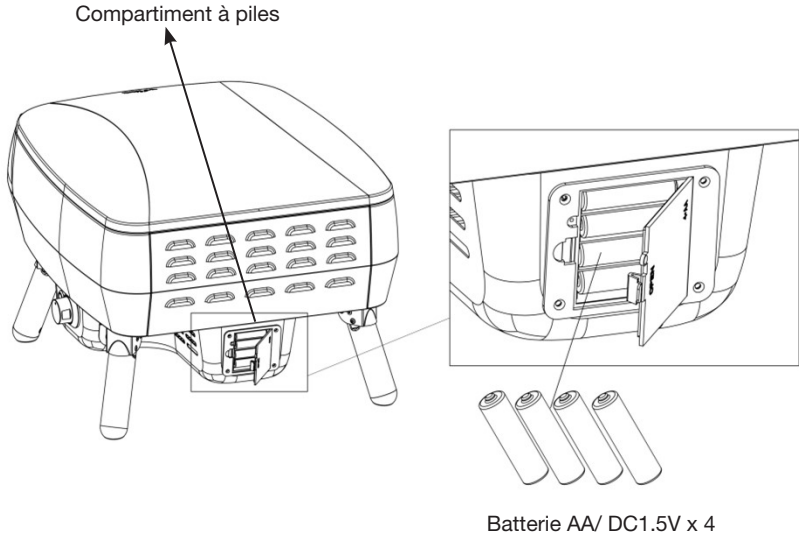
Montage:

1. Dépliez complètement les pieds et poser le four à pizza (à noter qu'il pèse jusqu'à 19 kg).

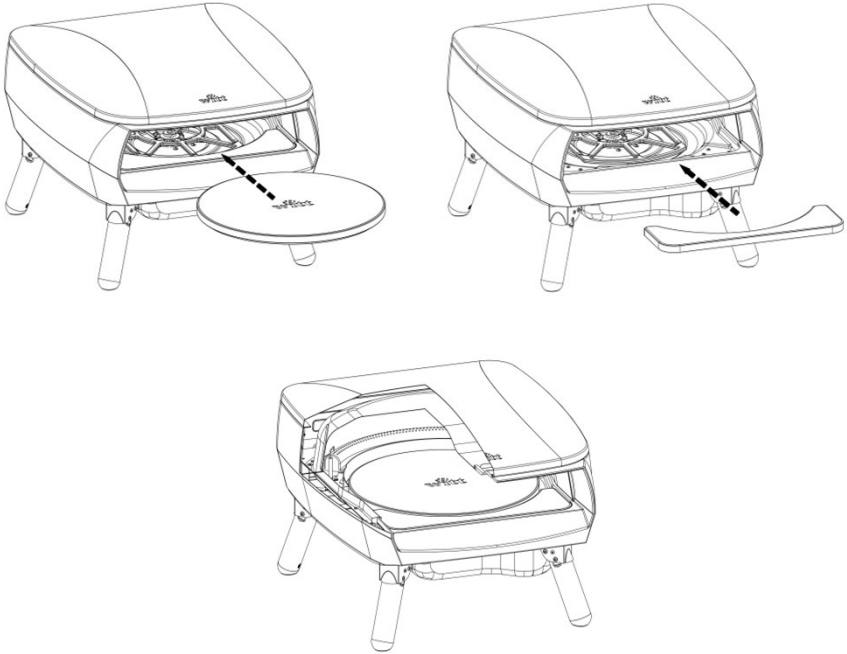


2. Dévissez le couvercle de l'allumage électronique et insérez une pile AA. Notez les marques (+) et (-) dans le compartiment des piles. Vissez le couvercle en place. Ouvrez le compartiment à piles. Insérez quatre nouvelles piles AA et placez les piles de manière à ce que (+) et (-) soient dans la bonne direction, conformément aux indications.

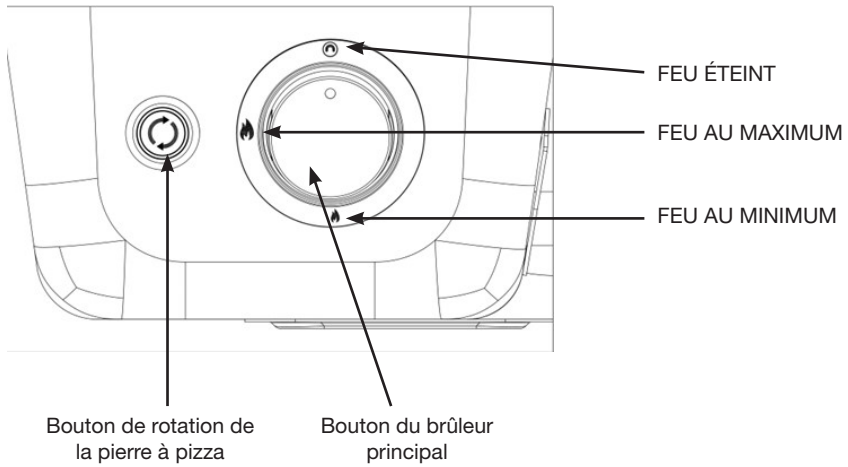
Fermez le compartiment à piles.



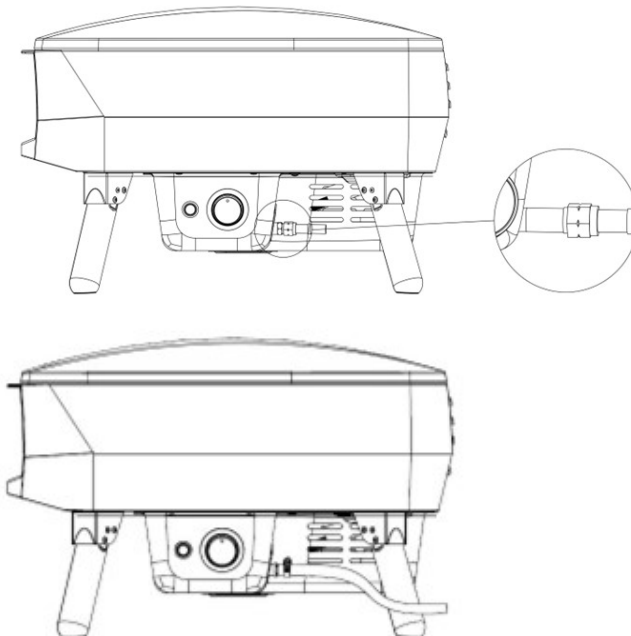
3. Retirez l'emballage de la pierre à pizza et placez-la sur le plateau de la pierre à pizza.



4. Assurez-vous que les boutons des brûleurs sont en position OFF avant de raccorder le tuyau de gaz.



5. Raccordez le tuyau de gaz au four à pizza.

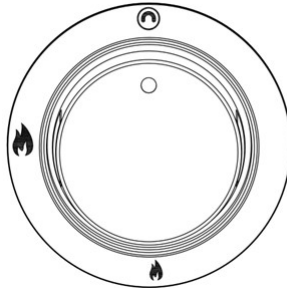


UTILISATION DU FOUR À PIZZA / GUIDE DE MISE EN MARCHÉ

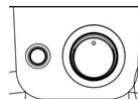
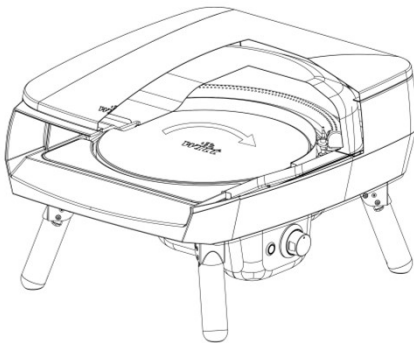
Lorsque le régulateur est branché correctement, le gaz peut être allumé.

Witt PICCOLO Rotante

Pour allumer le brûleur : appuyez sur le bouton marche/arrêt et tournez-le simultanément dans le sens inverse des aiguilles d'une montre jusqu'à ce que vous entendiez un clic et que le brûleur s'allume. Cela prend environ 8 à 10 secondes, car le gaz doit passer par le tuyau du brûleur jusqu'au four. Maintenez le bouton marche/arrêt enfoncé pendant 10 secondes supplémentaires après la mise en marche, puis relâchez le bouton. Réglez le brûleur comme vous le souhaitez. Si le brûleur ne s'allume pas, laissez le bouton en position OFF et patientez cinq minutes avant de réessayer. Appuyez sur le bouton du milieu pour faire tourner la pierre à pizza.



Appuyez sur le bouton pour mettre la pierre à pizza en rotation



Symbole	Description
	Brûleur principal
	Rotation du plateau tournant

NETTOYAGE ET MAINTENANCE

Extérieur :

- Assurez-vous que le four à pizza a refroidi et qu'il peut être touché sans danger avant de nettoyer l'extérieur.
- Les pièces peintes ainsi que les surfaces en plastique peuvent être nettoyées avec de l'eau savonneuse douce et un chiffon propre (ne pas utiliser de produits abrasifs ou dégraissants ni de tampon à récurer).
- Il est recommandé de tester d'abord le détergent sur une petite surface de l'appareil. N'utilisez JAMAIS de diluants pour peinture ou de solvants similaires et ne versez JAMAIS d'eau froide sur des surfaces chaudes.
- Essuyez avec un chiffon.

Intérieur :

- Assurez-vous que le four à pizza a refroidi et qu'il peut être touché sans danger avant de nettoyer l'intérieur.
- Retirez la pierre à pizza ronde et la pierre frontale avant le nettoyage
- Pour nettoyer toute saleté ou graisse tenace, utilisez un peu de bicarbonate de soude sur une éponge humide. N'utilisez pas de produits abrasifs.

Pierre à pizza :

- La pierre à pizza est exclusivement destinée à être utilisée dans le four à pizza Witt, elle n'est pas destinée à être utilisée sur un feu ouvert.
- La pierre à pizza est fragile et peut se briser en cas de choc ou de chute.
- La pierre à pizza devient très chaude pendant l'utilisation et reste chaude longtemps après.
- Pour nettoyer la pierre à pizza, chauffez le four pendant environ 30 minutes, puis vous pouvez enlever les résidus de la pierre à pizza une fois refroidie, par exemple. Avec la brosse pour four à pizza Witt.
- La pierre à pizza et la pierre frontale doivent être conservées au sec entre deux utilisations, car elles ne tolèrent pas l'humidité.

DÉPANNAGE

Le brûleur ne s'allume pas :

La vanne de gaz n'est pas activée.	Ouvrez la vanne.
La bouteille de gaz est vide.	Remplacez la bouteille de gaz par une neuve.
Le bouton d'allumage ne fonctionne pas.	Vérifiez la pile.
Il n'y a pas d'étincelle lors de la mise en marche.	Contactez le centre de service

La flamme du brûleur est irrégulière :

La flamme brûle à l'intérieur du brûleur (bruit de sifflement).	Éteignez le brûleur et laissez-le refroidir. Essayez de l'allumer à nouveau.
Le régulateur est défectueux.	Contactez le centre de service
L'injecteur est partiellement bloqué.	Nettoyez l'injecteur avec une brosse à dents. Ne percez pas et n'utilisez pas de fil de fer ou d'acier pour éliminer les blocages. Contactez le centre de service

Fuite de gaz entre les joints :

Les raccords sont desserrés.	Serrer les connexions desserrées (ne pas trop serrer) et effectuez un test d'étanchéité sous pression avec de l'eau savonneuse. (voir les instructions « Test d'étanchéité » page 4).
Le tuyau est endommagé.	Remplacez le tuyau. (Contactez le centre de service).
La vanne de gaz est défectueuse.	Contactez le centre de service
Les raccords/joints sont desserrés.	Contactez le centre de service

La pierre à pizza ne tourne pas :

La pierre à pizza ne tourne pas.	Assurez-vous que les piles sont correctement insérées dans leur compartiment. Vérifiez que les piles sont complètement chargées et remplacez-les si nécessaire. Pour que la pierre frontale ne bloque pas la rotation, la façade doit être poussée vers l'avant jusqu'à l'ouverture du four.
La pierre à pizza est endommagée.	Contactez le centre de service
Le bouton/contact ou les câbles sont endommagés.	Contactez le centre de service

GARANTIE ET SERVICE

IMPORTANT

La garantie comprend les matériaux et les salaires. Lorsque vous contactez le service après-vente, veuillez indiquer le nom, le numéro de série du produit, et complétez le formulaire de service <https://service.witt.dk/service/da/witt/pizzaservice.aspx>. Cette information figure sur la plaque signalétique. Écrivez les informations contenues dans ces instructions afin de les avoir à portée de main. Cela permettra au technicien de trouver plus facilement les bonnes pièces de rechange.

Pendant la période de garantie, votre four à pizza sera réparé par la société Witt.

Centre de service agréé, à condition que votre four à pizza soit livré et récupéré au centre de service. Voir les conditions générales ci-dessous.

GARANTIE

Deux ans

LA GARANTIE NE COUVRE PAS :

1. Défauts et dommages qui ne sont pas dus à des problèmes de fabrication ou de matériaux
2. Usure normale et raisonnable (par exemple, décoloration due à la chaleur).
3. Dommages causés aux produits par les parasites.
4. Si des pièces de rechange non originales sont utilisées.
5. Si les instructions du manuel de l'utilisateur n'ont pas été respectées.
6. Si l'appareil n'a pas été configuré/assemblé conformément aux instructions
7. Si des non-professionnels ont installé ou réparé le produit.
8. Rouille et ternissement.

DOMMAGES PROVOQUÉS PENDANT LE TRANSPORT

Si le produit est endommagé pendant le transport et que cela n'est découvert que lorsque le détaillant livre le produit au client, il s'agit exclusivement d'une affaire entre le client et le détaillant. Dans les cas où les clients ont transporté le produit lui-même, le fournisseur n'est pas responsable des dommages éventuels survenus pendant le transport. Tout dommage causé pendant le transport doit être signalé immédiatement et au plus tard dans les 24 heures suivant la livraison du produit. Si ce n'est pas le cas, la demande du client sera rejetée.

ACHATS COMMERCIAUX

Les achats commerciaux sont tous les achats d'appareils qui ne sont pas destinés à être utilisés dans les ménages privés, mais plutôt à être utilisés à des fins commerciales (dans les restaurants, les cafés, les cantines, etc.) ou destinés à être loués ou utilisés par plusieurs utilisateurs à tour de rôle. Aucune garantie n'est offerte pour les achats commerciaux, car ce produit est uniquement destiné à un usage domestique régulier.

Toutes les demandes de service :

E-MAIL : service@wittpizza.dk
Plus d'informations sur : www.wittpizza.com

Déclaration de conformité CE :

Witt Hvidevarer A/S confirme par la présente que l'accessoire suivant est conforme à toutes les exigences permanentes et essentielles conformément à la directive 2014/53 de l'UE.
1935/2004. Witt Hvidevarer A/S Gødstrup Søvej 9, DK-7400 Danemark. Witt US, LLC PO BOX : 1044, 800 State Route 11, Champlain, NY 12919, USA, Witt UK & Ireland Ltd. 4 Tannery

INHOUDSOPGAVE

VEILIGHEIDSINSTRUCTIES.....	99
<i>Lekkagetest</i>	100
<i>De gasfles aansluiten</i>	101
<i>De gasfles loskoppelen</i>	101
<i>Batterijen</i>	102
TECHNISCHE GEGEVENS	103
INSTALLATIEGIDS VOOR BUITEN	104
<i>Montage:</i>	105
GEBRUIK VAN DE PIZZAOVEN/INSTRUCTIES OM AAN TE STEKEN.....	109
REINIGING EN ONDERHOUD.....	110
FOUTEN OPSPOREN.....	111
RECLAMATIERECHT EN SERVICE.....	112

VEILIGHEIDSAANWIJZINGEN

Om het risico op brand, brandgevaar of andere schade te beperken, moet u deze gebruiksaanwijzing volledig lezen alvorens het toestel in gebruik te nemen.



- **DIT TOESTEL NIET** GEBRUIKEN VOOR U DE GEBRUIKSAANWIJZING VOLLEDIG HEEFT GELEZEN
- **NOOIT VOORWERPEN** OP OF BOVEN HET TOESTEL PLAATSEN
- **GEEN CHEMISCHE STOFFEN** BRANDBARE STOFFEN OF SPUITBUSSEN IN DE BUURT VAN DIT TOESTEL BEWAREN
- **DIT TOESTEL** NOOIT BINNEN GEBRUIKEN
- **ZORG ERVOOR DAT** ER ZICH NOOIT VETTEN/OLIE, AS OF ONVERBRANDE BRANDSTOF OPHOPEN IN HET TOESTEL TUSSEN TWEE BEURTEN

- LET OP: de onderdelen van de pizzaoven kunnen heel warm zijn!
- Alleen bedoeld voor gebruik buitenshuis. De pizzaoven nooit in afgesloten overdekte ruimtes gebruiken.
- Houd kinderen en huisdieren altijd uit de buurt van de oven.
- Verplaats het toestel niet tijdens het gebruik.
- Draai de gaskraan van de gasfles dicht na gebruik van het toestel
- Breng geen wijzigingen aan op het toestel.
- Door de fabriek verzegelde onderdelen mogen door de gebruiker niet gewijzigd worden.
- Draag altijd grillhandschoenen als u warme onderdelen vastneemt.
- Bewaar de oven nooit binnen, tenzij de gasfles afgekoppeld is. Als u het toestel langere tijd niet gebruikt, moet u het in de originele verpakking op een droge plaats bewaren.

Let op: de gasfles altijd buitenhuis bewaren op een goed geventileerde plaats. Een afgekoppelde gasfles niet binnenhuis bewaren, ook niet in de garage noch in een andere afgesloten ruimte. De gasflessen buitenhuis rechtop bewaren op een plaats die niet toegankelijk is voor kinderen.

- **VOORZICHTIG:** De oven reinigen en schoonmaken doet u pas als hij volledig is afgekoeld en als de gasfles is afgekoppeld.

- Kleren of andere brandbare stoffen mogen nooit tegen of vlakbij de oven komen zolang hij niet is afgekoeld. De stof zou kunnen ontvlammen en ernstige letsels veroorzaken.
- Bepaalde synthetische stoffen zijn zeer licht ontvlambaar en draagt u beter niet tijdens het gebruik van de oven. Draag nooit losse kledingstukken en wijde mouwen tijdens het gebruik van de oven.
- Onder de pizzaoven wordt de temperatuur ook heel hoog. Plaats de pizzaoven niet op een plastic ondergrond of een ondergrond van brandbaar materiaal noch op een laken of doek.
- De pizzaoven is niet bedoeld voor gebruik op een boot, in een camper of een caravan.
- Verander niets aan de pizzaoven, omdat dit letsels kan veroorzaken of het product kan beschadigen.
- Wijzigingen aan de pizzaoven hebben tot gevolg dat de garantie vervalt.
- Boven de pizzaoven mogen er zich geen voorwerpen, bomen of dakconstructies bevinden.

LEKKAGETEST:

- **CONTROLEER ALLE GASAANSLUITINGEN, VERBINDINGEN EN KOPPELINGEN OP HET TOESTEL VOOR U HET GEBRUIKT:** Ook al is de gasaansluiting van het toestel getest voor het toestel verpakt en verzonden werd, moet er op de plaats van installatie een volledige test worden uitgevoerd. Wanneer u gas ruikt, moet u het gebruik van de pizza-oven meteen stopzetten en het systeem op lekken onderzoeken. Maak een oplossing met een deel vloeibaar afwasmiddel en een deel water. Gebruik een sprayflacon, borstel of doek om de oplossing op de gasaansluitingen aan te brengen. Breng de oplossing op alle gaskoppelingen aan. Op de plaatsen waar u zeepbellen ziet, is er sprake van een lek. Als er een lek is, moet u de gaskraan onmiddellijk dichtdraaien en de koppeling die lekt, vaster aandraaien. Telkens u een gasgeur waarneemt, moet u een lekkagetest doen en ook als u het toestel lang niet meer hebt gebruikt.
- Zorg ervoor dat het ventiel correct zit. Controleer of de slang niet beschadigd is.

BELANGRIJK: als u het gaslek niet kunt stoppen, moet u de gaskraan dichtdraaien en de klantendienst contacteren.

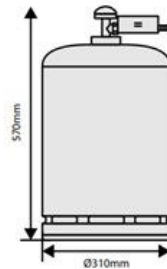
LET OP: steek de branders NOOIT aan terwijl u een gaslekkagetest aan het uitvoeren bent.

LET OP: sommige testoplossingen zoals vaatwasmiddel kunnen roest veroorzaken. Daarom is het belangrijk alle koppelingen te spoelen met water nadat u de lekkagetest heeft gedaan.

De gasfles aansluiten:

- De gastoevoer of de slang moet voldoen aan de geldende normen en moet regelmatig nagekeken en vervangen worden indien nodig. De slang moet voldoen aan norm EN16436. De regelaar moet voldoen aan norm EN16129.
- **GEVAAR:** Gebruik geen regelaar met aanpasbare druk (bijvoorbeeld het type dat gebruikt wordt voor een onkruidbrander). Risico op ontploffing of brand.
- De nominale output (gasdruk) moet tussen 28-37 mbar en 50 mbar liggen in Duitsland, Oostenrijk en Zwitserland.
- Versleten of beschadigde slangen moeten vervangen worden. Controleer of de slang nergens gekneld zit, stuk is of de pizza-oven raakt, behalve op de plaats waar de aansluiting zit.
- In sommige landen mogen de slang en de regelaar niet samen met de oven geleverd worden.
- De slang naar het toestel mag niet langer zijn dan 1,5 m.
- Verbind de gasfles met de oven met behulp van de slang en de regelaar. De moeren zorgvuldig vastzetten, maar niet overspannen of wringen. Zorg ervoor dat u de fitting van de regelaar niet beschadigt. Controleer of alle ventielen/knoppen op de oven in de OFF positie staan alvorens u de gaskraan opendraait.
- De slang mag niet in aanraking komen met scherpe voorwerpen of warmtebronnen.
- Bij het vervangen van de gasfles moet u de gastoevoer dichtdraaien vooraleer u de slang en de regelaar losmaakt van de fles (niet van de oven zelf).
- Vervang de flexibele slang volgens de nationale voorschriften en regels.
- Gebruik een LPG-fles die niet groter is dan 310 mm breed en 570 mm hoog.

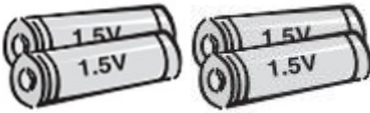
Lekkagetest: Nadat de slang en de regelaar volgens de instructies gemonteerd en vastgedraaid zijn, mag u de gaskraan opendraaien. Dan de koppelingen met een water-zeepoplossing besproeien om eventuele lekken op te sporen.



LET OP: Zorg ervoor dat de gasfles ver genoeg van de oven staat.

De gasfles loskoppelen:

- Bij het loskoppelen van de gasfles: Zorg ervoor dat de aan-uit-knop van de oven op OFF staat. Zorg ervoor dat het ventiel van de fles dichtgedraaid is. Neem de regelaar van de fles en leg hem opzij. Zorg ervoor dat de gasfles de hele tijd minstens een meter van de oven verwijderd is wegens het risico op ontvlambaarheid.
- Normen/regels voor regelaar en slangen: de regelaar die samen met de oven gebruikt wordt, moet CE-gekeurd zijn en voldoen aan de geldende normen en regelgeving.



Batterijen:

- Verwijder de batterijen op een duurzame manier en houd ze uit de buurt van kinderen om te voorkomen dat ze de batterijen in hun mond kunnen stoppen. **Raadpleeg onmiddellijk een dokter mocht een kind een batterij doorslikken!**
- Oude en nieuwe batterijen nooit vermengen. Dit kan leiden tot oververhitting en lekkage van de batterijen.
- Plaats nooit niet-oplaadbare batterijen in een oplader.
- Batterijen nooit demonteren, platdrukken, doorprikken of op een andere manier beschadigen. Dit kan leiden tot breuk of lekkage.
- Spaar de batterijen door de oven uit te schakelen wanneer hij niet in gebruik is of langere tijd niet gebruikt zal worden en haal de batterijen eruit.
- Gebruik het juiste batterijtype (5 x AA-batterijen).
- Plaats de batterijen op de juiste manier. Zorg ervoor dat de polen (- en +) overeenkomen.
- Haal lege batterijen onmiddellijk uit het toestel en verwijder ze volgens de geldende voorschriften. Gooi batterijen nooit in de afvalcontainer, maar breng ze naar een recyclingpunt.

TECHNISCHE GEGEVENS

Modelnummer	Land van bestemming	Totale warmte-opwekking	Bran- ders	Injector-/ formaat- label	Categorieën	Gastype
Witt PICCOLO Rotante	BE, CH, CY,CZ, ES,FR, GB,GR,IE,IT,LT,LU,L- V,PT, SI,SK,TR, IL	5,2kw	1	Φ 1.12mm	I 3+(28~30/37)	G30 Butaan 28~30mbar G31 Propaan 37mbar
	BE, BG, CY, CZ, DK, EE, FI, GB, HR, HU, IT, LT, LU, SI, MT, NL, NO, RO, SE, KE,IS	5,2kw	1	Φ 1.12mm	I 3B/P(30)	G30 Butaan of G31 Propaan 30mbar
	AT, CH, DE, SK	5,2kw	1	Φ 1.06mm	I 3P(50)	G31 Propaan 50mbar
	PL	5,2kw	1	Φ 1.12mm	I 3P(37)	G30 Butaan of G31 Propaan 37mbar

Productdetails	Witt PICCOLO Rotante
Afmetingen	650 × 535 × 440
Gewicht NW/BW	19 / 26

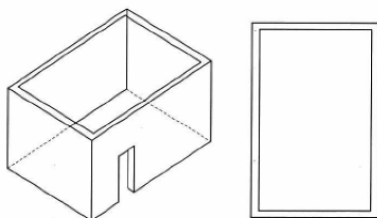
PIN CODE: 1336DO050

INSTALLATIEGIDS VOOR BUITEN

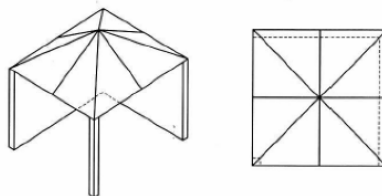
De pizzaoven is alleen bedoeld voor gebruik buitenshuis en mag alleen op een goed geventileerde plaats gebruikt worden, ver van brandbare materialen. Gebruik de pizzaoven NOOIT binnen, noch in garages, veranda's, schuren of andere afgesloten ruimtes. Gebruik de pizzaoven niet op een boot, noch in een camper of caravan. Plaats hem nooit op of in de buurt van een warmtegevoelig of ontvlambaar oppervlak. Blokkeer de luchttoevoer en verbranding niet rond de oven wanneer hij in gebruik is. Voor een veilige en correcte verbranding en efficiënte werking van de oven is voldoende ventilatie noodzakelijk. Dit biedt ook veiligheid voor de gebruiker en de andere personen die zich rond de oven bevinden als hij in gebruik is. De pizzaoven NOOIT in afgesloten overdekte ruimtes gebruiken.

Zoals hieronder te zien is, moet de pizzaoven geïnstalleerd worden op een plaats die minstens aan twee zijden en boven open is. Dit is belangrijk bij een eventueel gaslek zodat het gas kan ontsnappen en er zich geen ontploffing kan voordoen.

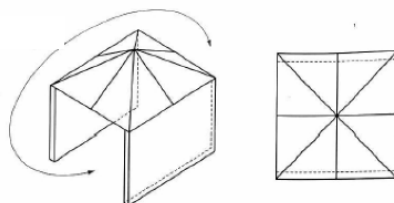
Voorbeeld 1:
Ventilatie van een open dak en open deur



Voorbeeld 2:
Open aan beide kanten:
Vooraan en rechts

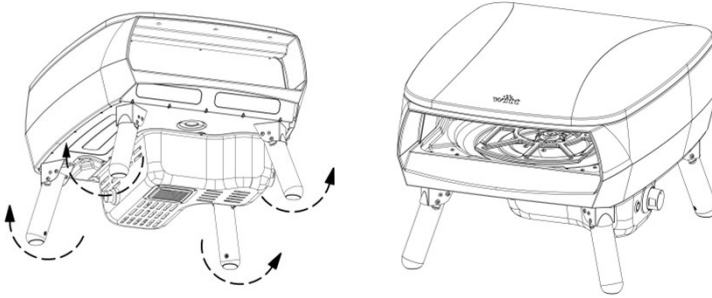


Voorbeeld 3:
Open aan beide kanten:
Vooraan en achteraan



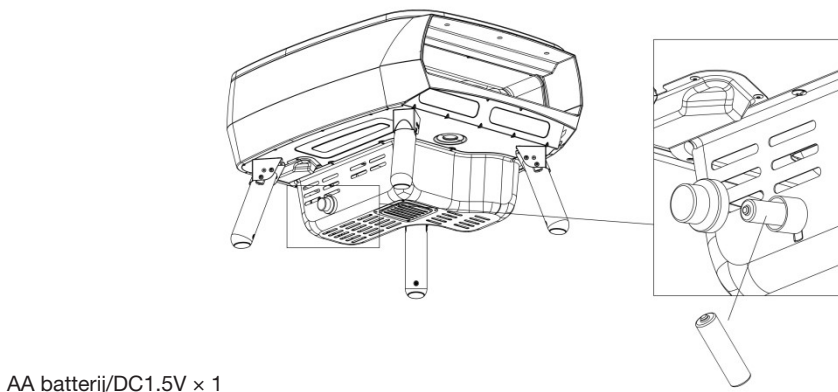
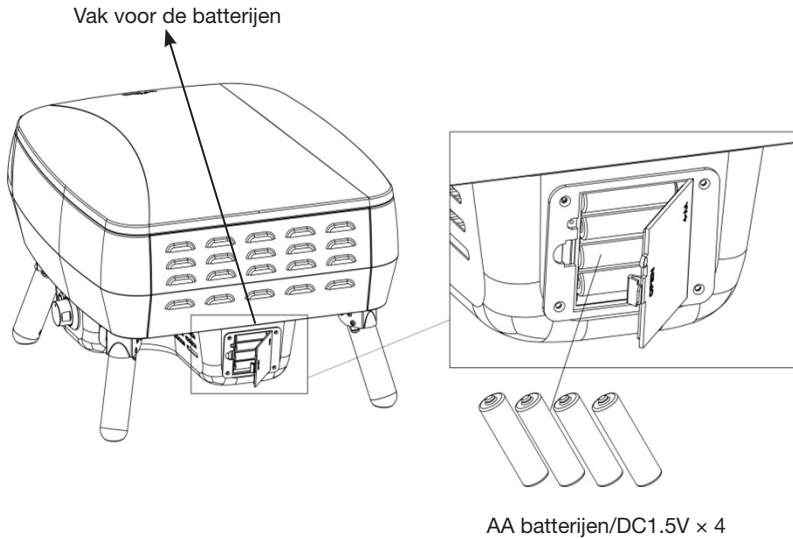
Montage:

1. Vouw de poten volledig uit en stel de pizzaoven op.
(let op: de oven weegt 19 kg).

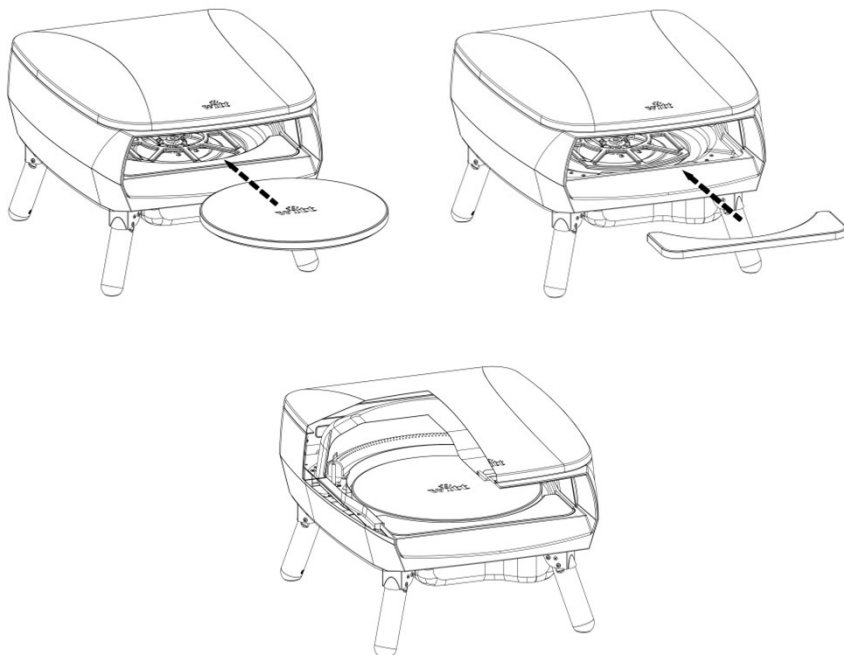


2. Het deksel van de elektronische ontsteking losschroeven en een AA-batterij plaatsen. Let op de (+) en (-) polen in het batterijvak. Schroef het deksel weer dicht. Open het deksel van het batterijvak. Plaats 4 nieuwe AA-batterijen op de juiste manier zodat de polen (+) en (-) overeenkomen.

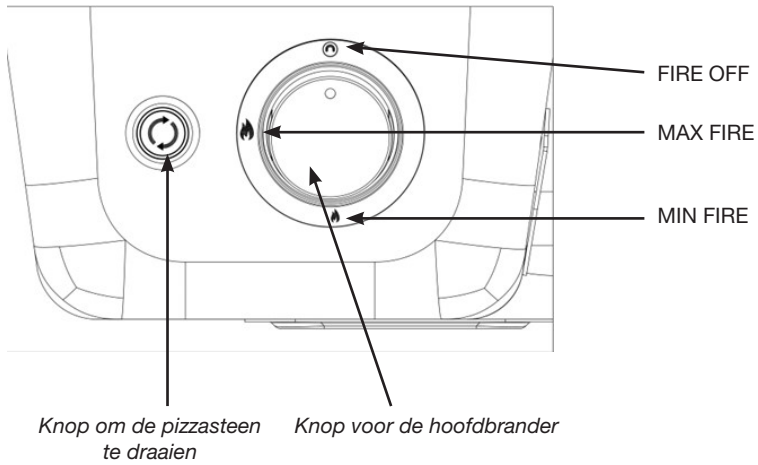
Sluit het deksel van het batterijvak.



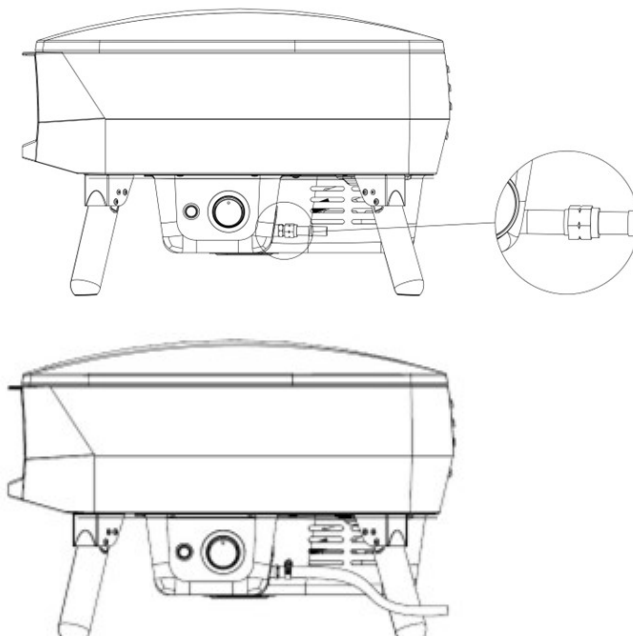
3. Verwijder de verpakking van de pizzasteen en monteer deze op de draaischotel.



4. Zorg ervoor dat de knoppen van de brander uitgeschakeld zijn (OFF) alvorens u de gas slang aansluit.



5. De gas slang op de pizzaoven aansluiten.

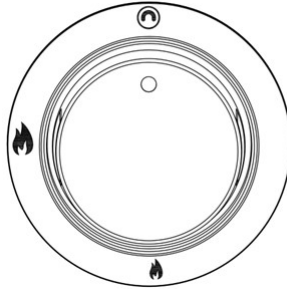


GEBRUIK VAN DE PIZZAOVEN/INSTRUCTIES OM AAN TE STEKEN

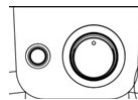
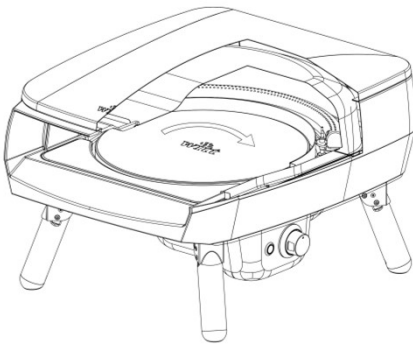
Als de regelaar correct is aangesloten mag u de gaskraan opendraaien.



Witt PICCOLO Rotante

Om de brander aan te steken: De aan/uit-knop naar beneden duwen en tegelijkertijd tegen de wijzers van de klok in draaien tot u een klik hoort en de brander in gang schiet. Dit duurt 8 à 10 seconden, omdat het gas door de slang naar de oven moet. Houd de aan/uit-knop nog 10 seconden ingedrukt na de ontsteking en laat dan de knop los. Stel de brander in zoals gewenst. Als de brander niet in gang schiet, zet de knop dan in de OFF positie en wacht vijf minuten alvorens het opnieuw te proberen.



Druk op de knop om het draaien van de pizzasteen te starten.



Symbol	Beschrijving
	Hoofdbrander
	Rotatieknop

REINIGING EN ONDERHOUD

Buitenkant:

- Zorg ervoor dat de pizzaoven voldoende afgekoeld is en dat u hem veilig kunt aanraken voor u begint met het reinigen van de buitenkant.
- Geverfde delen en plastic delen met een milde zeepoplossing en een schone doek reinigen (geen schurende of ontvettende middelen en geen schuursponsen gebruiken).
- We raden aan het schoonmaakmiddel eerst op een klein oppervlak van het toestel uit te testen. **GEBRUIK NOOIT** verfverdunder of een dergelijk oplosmiddel en **GIET NOOIT** koud water op warme oppervlakken.
- Droog af met een doek.

Binnenkant:

- Zorg ervoor dat de pizzaoven voldoende afgekoeld is en dat u hem veilig kunt aanraken voor u begint met het reinigen van de binnenkant.
- Verwijder de ronde pizzasteen en de voorste steen voor de reiniging.
- Gebruik natriumcarbonaat op een natte spons om hardnekkig vuil te verwijderen. Gebruik geen schuurmiddelen.

Pizza Stone:

- De pizzasteen is uitsluitend bedoeld om in een Witt pizzaoven te worden gebruikt. Hij is niet geschikt voor gebruik in een open vuur.
- De pizzasteen is fragiel en kan breken als hij valt of een schok krijgt.
- De pizzasteen wordt heet tijdens het gebruik en blijft nog lang warm na gebruik.
- Voor de reiniging van de pizzasteen de oven ongeveer 30 minuten verwarmen. Dan kunt u de resten van de pizzasteen verwijderen als deze wat is afgekoeld, bijvoorbeeld met behulp van de Witt pizzaovenborstel.
- De pizzasteen en de voorste steen moeten tussen twee beurten droog bewaard worden. Ze kunnen niet tegen vocht.

FOUTEN OPSPOREN

Als de brander niet in gang schiet:

Het gasventiel staat niet open.	Open het ventiel.
De gasfles is leeg.	Vervang de gasfles door een nieuwe.
De ontstekingsknop werkt niet.	Check de batterij.
Er ontstaat geen vonk bij het aansteken.	Neem contact op met het servicecenter.

De vlam brandt onregelmatig.

De vlam brandt in de brander (fluitend geluid).	Zet de brander uit en laat hem afkoelen. Probeer hem daarna opnieuw aan te steken.
De regelaar is stuk.	Neem contact op met het servicecenter.
De injector is gedeeltelijk geblokkeerd.	Maak de injector schoon met een tandenborstel. Niet uitboren en geen staaldraad gebruiken om een blokkage weg te nemen. Neem contact op met het servicecenter.

Gaslek aan de koppelingen:

De koppelingen zitten niet vast.	Losse koppelingen beter aandraaien (niet overdrijven) en een lekkagetest uitvoeren met behulp van een zeepoplossing. (zie instructies onder Lekkagetest op pagina 4).
De slang is beschadigd.	Vervang de slang door een nieuwe. (Neem contact op met het servicecenter)
Het gasventiel is stuk.	Neem contact op met het servicecenter.
De koppelingen zijn beschadigd.	Neem contact op met het servicecenter.

De pizzasteen roteert niet:

De pizzasteen roteert niet.	Controleer of de kabel van de stroomadapter correct is aangesloten en of de stroom ingeschakeld is. Controleer of de batterijen correct in het batterijvak zijn gelegd. Controleer of de batterijen volledig zijn opgeladen en vervang ze indien nodig. Om zeker te zijn dat de voorste steen de rotatie niet verhindert, moet deze naar voren worden geschoven, naar de opening toe.
De pizzasteen is beschadigd.	Neem contact op met het servicecenter.
De knop/het contact of de kabel zijn beschadigd.	Neem contact op met het servicecenter.

RECLAMATIERECHT EN SERVICE

BELANGRIJK

Het recht op reclamatie omvat de materialen en werkuren. Als u contact opneemt met het servicecenter dient u de naam en het serienummer van het product te vermelden alsook het serviceformulier op <https://service.witt.dk/service/da/witt/pizzaservice.aspx> in te vullen.

Deze gegevens vindt u op het typeplaatje. Noteer eventueel de gegevens hier in de gebruikershandleiding, zodat u ze bij de hand hebt. Zo kan de servicemonteur de juiste vervangende onderdelen sneller vinden.

Tijdens de garantieperiode zal uw pizzaoven gerepareerd worden door een erkend Witt servicecenter op voorwaarde dat de oven daar gebracht en opgehaald wordt, zie voorwaarden hieronder.

RECHT OP RECLAMATIE

2 jaar

HET RECLAMATIERECHT GELDT NIET:

1. Bij fouten en schade die niet zijn veroorzaakt door fabricage- en materiaalfouten
2. Normale, redelijke slijtage (bijvoorbeeld verkleuring door warmte van roosters/platen)
3. Productschade veroorzaakt door ongedierte.
4. Als er niet-originele onderdelen zijn gebruikt
5. Als de gebruiksaanwijzingen niet zijn opgevolgd
6. Als de installatie anders is uitgevoerd dan in de handleiding is aangegeven.
7. Als onbevoegden het product hebben geïnstalleerd of gerepareerd.
8. Roest en verkleuringen.

TRANSPORTSCHADE

Transportschade die wordt vastgesteld bij levering door de verkoper aan de klant, is een zaak tussen de klant en de verkoper. Als de klant zelf verantwoordelijk was voor het transport van het product, neemt de leverancier geen enkele verplichting op zich in verband met eventuele transportschade. Eventuele transportschade dient onmiddellijk en uiterlijk 24 uur na ontvangst van het product te worden gemeld. Zo niet wordt de claim afgewezen.

BEDRIJFSMATIGE AANKOOP

Er is sprake van bedrijfsmatige aankoop wanneer de gekochte apparaten niet in een privéhuishouden, maar in een bedrijfs- of vergelijkbare omgeving worden gebruikt (restaurant, café, kantine enz.) of worden gebruikt om te worden uitgeleend of op een andere manier waar meerdere gebruikers bij betrokken zijn.

Voor een bedrijfsmatige aankoop wordt geen garantie aangeboden, aangezien dit product is bedoeld voor algemeen huishoudelijk gebruik.

Alle vragen in verband met service:

EMAIL: service@wittpizza.dk

Lees meer op: www.wittpizza.com

Verklaring van overeenstemming EG:

Witt Hvidevarer A/S bevestigt hierbij dat de volgende accessoires beantwoorden aan alle permanente en belangrijke vereisten van EU-richtlijn 2014/53. 1935/2004. Witt Hvidevarer A/S Gødstrup Søvej 9, DK-7400 Denemarken. Witt US, LLC POSTBOKS: 1044, 800 State Route 11, Champlain, NY 12919, USA, Witt UK & Ireland Ltd. 4 Tannery House, Tannery Lane, Send, Working, Surrey, GU23 7EF. www.witt.dk

SISUKORD

OHUTUSJUHISED.....	115
<i>Lekkekatse</i>	116
<i>Gaasiballooni ühendamine</i>	117
<i>Gaasiballooni lahtiühendamine</i>	117
<i>Patareid</i>	118
TEHNILINE TEAVE	119
VÄLITINGIMUSTES PAIGALDAMISE JUHEND	120
<i>Kokkupanek:</i>	121
PITSAAHJU KASUTAMINE / SÜÜTAMISJUHEND	125
PUHASTAMINE JA HOOLDUS.....	126
TÕRKEOTSING	127
GARANTII JA TEENINDUS.....	128

OHUTUSJUHISED

Tulekahju või muude kahjustuste ohu vähendamiseks lugege käesolev ohutusjuhend enne seadme kasutamist hoolikalt ja täielikult läbi.



- **ÄRGE KASUTAGE SEDA SEADET ENNE KASUTUSJUHENDI LUGEMIST**
- **ÄRGE ASETAGE** ESEMEID SELLE SEADME PEALE VÕI VASTU SEDA
- **ÄRGE HOIDKE** SELLE SEADME LÄHEDEL KEMIKAALE, TULEOHTLIKKE MATERJALE EGA PIHUSTIPURKE
- **ÄRGE KASUTAGE** SEDA SEADET SISERUUMIDES
- **ÄRGE LASKE** RASVADEL/ÕLIDEL, TUHAL VÕI PÕLETAMATA KÜTUSEL SEADMESSE KOGUNEDA AJAL, MIL SEADET EI KASUTATA.

- HOIATUS: pitsaahju osad võivad olla väga kuumad!
- Ainult välitingimustes kasutamiseks. Ärge kunagi kasutage pitsaahju suletud, kinnistes ruumides.
- Hoidke lapsed ja lemmikloomad seadmest alati eemal.
- Ärge liigutage seadet kasutamise ajal.
- Pärast seadme kasutamist sulgege gaasivarustus gaasiballoonist.
- Ärge muutke seadet.
- Kasutaja ei tohi tootja tihendatud originaalosasid muuta.
- Kuumade komponentide käsitlemisel kandke alati grillikindaid.
- Ärge hoidke seadet siseruumides, kui gaasiballoon ei ole lahti ühendatud. Kui seadet ei kasutata pikema aja jooksul, tuleb see eemaldada ja panna originaalpakendis kuiva kohta hoiule.

Märkus: gaasiballooni tuleb alati hoida välitingimustes hea ventilatsiooniga kohas. Lahti ühendatud gaasiballooni ei tohi hoida hoones, garaažis või muus kinnises ruumis! Gaasiballoone tuleb hoida väljas püstises asendis lastele kättesaamatus kohas.

- HOIATUS: Puhastamine ja hooldus tuleb läbi viia ainult siis, kui ahi on täielikult jahtunud ja gaasiballoon on lahti ühendatud.

- Ärge kunagi laske riietel või muudel tuleohtlikel materjalidel põleti või mis tahes kuuma pinnaga kokku puutuda või sellele liiga lähedale sattuda, kuni seade on jahtunud. Materjal võib süttida ja põhjustada tõsiseid vigastusi.
- Teatavad sünteetilised tekstiilid on kergesti süttivad ja neid ei tohiks ahju kasutamise ajal kanda. Ahju kasutamise ajal ei tohi kanda lahtisi ega varrukatega riideid.
- Ka ahju alumine külg saavutab kõrge temperatuuri. Ärge asetage pitsaahju plastikust laudadele või muudele süttivatele pindadele, laudlinadele vms.
- Pitsaahi ei ole mõeldud kasutamiseks paatides, matkaautodes või haagissuvilates.
- Ärge muutke lektsaahju, sest see võib põhjustada kehavigastusi või tootekahjustusi.
- Pitsaahju omavolilised muudatused toovad kaasa ka garantii kehtetuks tunnistamise.
- Pitsaahju kohal ei tohi olla ühtegi objekti, mis ulatub üle pitsaahju, näiteks puude oksad või katusekonstruktsioonid.

LEKKEKATSE:

- **KONTROLLIGE ENNE KASUTAMIST KÕIKI SEADME GAASIÜHENDUSI, LIITMIKKE JA LIITEKOHTI:** Kuigi seadme gaasiühendusi on enne pakkimist ja transportimist lekke suhtes kontrollitud, tuleb paigalduskohas läbi viia täielik lekkekats. Kui mingil hetkel on tunda gaasilõhna, lõpetage kohe pitsaahju kasutamine ja kontrollige kogu süsteemi lekete suhtes. Valmistage lahus, milles vähesele veele on lisatud tilk vedelat nõudepesuvahendit. Lahuse pealekandmiseks liitmikele kasutage pihustuspudelit, pintsliit või lappi. Kandke kõikidele gaasiliitmikele seebilahust. Kohtades, kus on leke, tekivad seebimullid. Lekke korral lülitage gaasivarustus kohe välja ja pingutage lekkivaid elemente. Tehke lekkekats iga kord, kui vahetate gaasimahutit või kui ahju ei ole pikema aja jooksul kasutatud.
- Veenduge, et ventiil on õigesti paigutatud. Veenduge, et voolik ei ole kahjustatud.

TÄHELEPANU: kui gaasilekkeid ei saa peatada, lülitage gaasivarustus välja ja võtke ühendust klienditeenindusega.

HOIATUS: ÄRGE kunagi lülitage põleteid sisse gaasilekke kontrollimise ajal.

MÄRKUS: kuna mõned katselahused, sealhulgas seebivesi, võivad põhjustada roostet, tuleb pärast lekkekatsi kõik ühendused veega loputada.

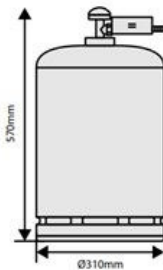
Gaasiballooni ühendamine:

- Gaasivarustus või voolik peab vastama kehtivatele nõuetele ning seda tuleb regulaarselt kontrollida ja vajaduse korral tuleb see välja vahetada. Voolik peab vastama standardile EN16436. Regulaator peab vastama standardile EN16129.

OHT: ärge kasutage reguleeritavat rõhuregulaatorit (näiteks sellist, mida kasutatakse umbrohupõletite puhul). Plahvatus- või süttimisoht.

- Nimivõimsus (gaasirõhk) on vahemikus 28–37 mbar, ning 50 mbar Saksamaal, Austrias ja Šveitsis.
- Kulunud või kahjustatud voolikud tuleb välja vahetada. Veenduge, et voolik ei ole kokku surutud, lõhenenud ega puutu kokku pitsaahjuga, välja arvatud selle ühenduskohas.
- Mõnes piirkonnas ei pruugi seadmega kaasas olla voolikut ja regulaatorit.
- Seadme voolik ei tohiks olla pikem kui 1,5 m.
- Ühendage gaasiballoon ahjuga, kasutades voolikut ja regulaatorit. Pingutage mutreid ettevaatlikult, kuid ärge pingutage ega keerake neid üle. Olge ettevaatlik, et mitte kahjustada regulaatori liitmikke. Enne gaasiballooni avamist veenduge, et KÕIK ahju ventiilid/nupud on väljalülitatud asendis.
- Regulaatori voolikut tuleb hoida teravatest esemetest ja soojusallikatest eemal.
- Enne gaasiballooni vahetamist: veenduge, et gaas on välja lülitatud, enne kui ühendate vooliku ja regulaatori balloonest lahti (mitte ahjust endast).
- Asendage painduv voolik vastavalt kehtivatele riiklikele suunistele.
- Ärge kasutage vedelgaasiballooni, mille maksimaalne laius ületab 310 mm ja kõrgus 570 mm.

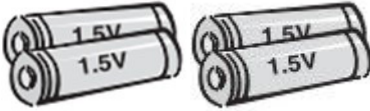
Lekkekatsed: Kui voolik ja regulaator on paigaldatud ja kinnitatud vastavalt juhistele, võib gaasi sisse lülitada. Seejärel pihustage ühenduskohti vee ja seebi seguga, et kontrollida võimalikke lekete olemasolu.



MÄRKUS: veenduge, et gaasiballoon on ahjust täielikult kaitsega eraldatud.

Gaasiballooni lahtiühendamine:

- Gaasiballooni lahtiühendamisel: veenduge, et ahju sisse-/väljalülitamise nupp on pööratud asendisse VÄLJAS. Veenduge, et gaasiballooni ventiili on suletud asendis. Ühendage regulaatori koost gaasiballoonist lahti ja eemaldage see. Hoidke gaasiballooni kindlasti vähemalt ühe meetri kaugusel ahjust, et vältida süttimisohtu.
- Regulaatorile ja voolikule kohalduvad nõuded/eeskirjad: gaasipõletiga ahjuga kasutatav regulaator peab olema CE-kinnitusega ning vastama kehtivatele nõuetele ja eeskirjadele.



Patareid:

- Hävitage patareid vastutustundlikult ja hoidke neid lastele kättesaamatus kohas, et nad ei saaks neid alla neelata. **Kui laps neelab patarei alla, pöörduge kohe arsti poole!**
- Ärge segage vanu patareid uute patareidega. See võib põhjustada patareide ülekuumenemist ja lekkimist.
- Laadijasse ei tohi panna mitte-laetavaid patareid.
- Ärge võtke patareid lahti, ärge , muljuge, augustage ega kahjustage neid mingil viisil. See võib põhjustada purunemisi või lekkeid.
- Pikendage patareide kestvust, lülitades seadme välja ja eemaldades patareid, kui seadet ei kasutata – või eeldatavasti ei kasutata – pikema aja jooksul.
- Kasutage spetsiaalset tüüpi patareid (5 x AA patareid).
- Paigaldage kõik patareid õigesti. Veenduge, et patareide polaarsus (- ja +) on õige.
- Eemaldage tühjenenud patareid seadmest viivitamatult ning kõrvaldage need turvaliselt ja nõuetekohaselt vastavalt eeskirjadele. Ärge visake patareid prügikasti, vaid viige need kõrvaldamiseks lähimasse jäätmejaama.

TEHNILISED ANDMED

Mudeli number	Saajariik	Kogu soojusvarustus	Põletid	Injektori/suuruse märgistus	Kategooriad	Gaasitüübid
Witt PICCOLO Rotante	BE, CH, CY, CZ, ES, FR, GB, GR, IE, IT, LT, LU, LV, PT, SI, SK, TR, IL	5,2 kw	1	Φ 1,12 mm	I 3+(28-30/37)	G30 butaan 28-30 mbar G31 propaan 37 mbar
	BE, BG, CY, CZ, DK, EE, FI, GB, HR, HU, IT, LT, LU, SI, MT, NL, NO, RO, SE, KE, IS	5,2 kw	1	Φ 1,12 mm	I 3B/P(30)	G30 butaan või G31 propaan 30 mbar
	AT, CH, DE, SK	5,2 kw	1	Φ 1,06 mm	I 3P(50)	G31 propaan 50 mbar
	PL	5,2 kw	1	Φ 1,12 mm	I 3P(37)	G30 butaan või G31 propaan 37 mbar

Toote üksikasjad	Witt PICCOLO Rotante
Mõõtmed	650 × 535 × 440
Kaal NW/GW	19 / 26

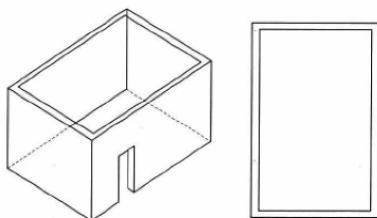
PIN CODE: 1336DO050

VÄLITINGIMUSTES PAIGALDAMISE JUHEND

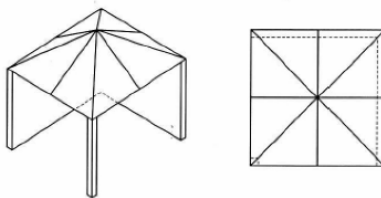
Pitsaahi on mõeldud ainult välitingimustes kasutamiseks ja seda tohib kasutada ainult hästi ventileeritud kohas, eemal süttivatest materjalidest. Ärge kunagi kasutage pitsaahju siseruumides, garaazides, verandadel, kuurides või muudes suletud ruumides. Pitsaahi ei ole ette nähtud kasutamiseks paatides, elamutes või haagissuvilates ning seda ei tohi paigutada süttiva või kuumustundliku pinna lähedale või alla. Ärge blokeerige õhuvärske ja põlemist pitsaahju ümber, kui see on kasutusel. Pitsaahju ohutuks ja nõuetekohaseks toimimiseks ning tõhususeks on vajalik piisav ventilatsioon. Samuti on see ohutum nii kasutajale kui ka teistele inimestele piirkonnas, kus pitsaahju kasutatakse. Pitsaahju ei tohi KUNAGI kasutada suletud, kaetud ruumides.

Pitsaahi tuleb paigaldada välitingimustesse, kus see on vähemalt kahelt küljelt või ülaltpoolt avatud, nagu on näidatud allpool. Oluline on, et võimaliku gaasilekke korral pääseks gaas välja ja eemale, vältimaks plahvatust.

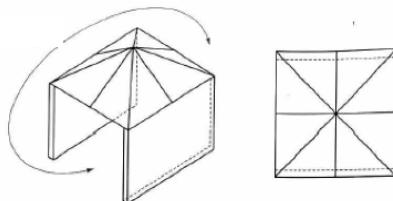
Näide 1.
Ventilatsioon avatud katuse ja avatud ukse kaudu



Näide 2.
Avatud mõlemalt poolt: eest ja paremalt

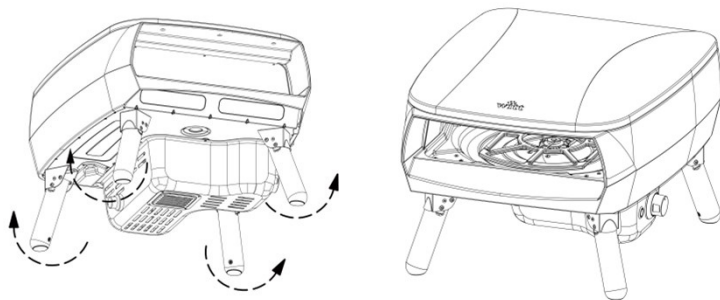


Näide 3.
Avatud mõlemalt poolt: eest ja tagant



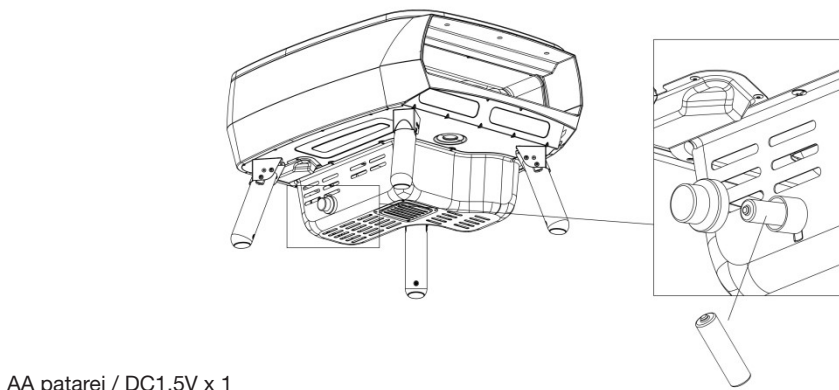
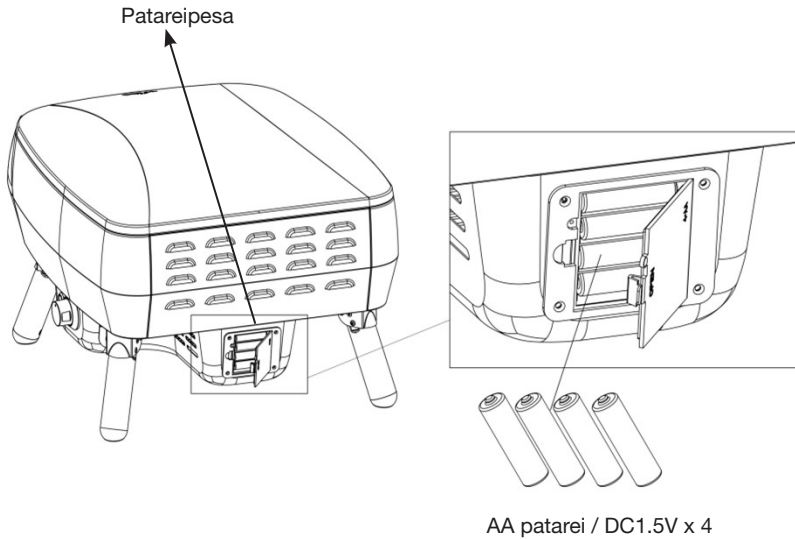
Kokkupanek:

1. Voltige jalad täielikult lahti ja pange pitsaahi seisma (arvestage, et see kaalub kuni 19 kg).

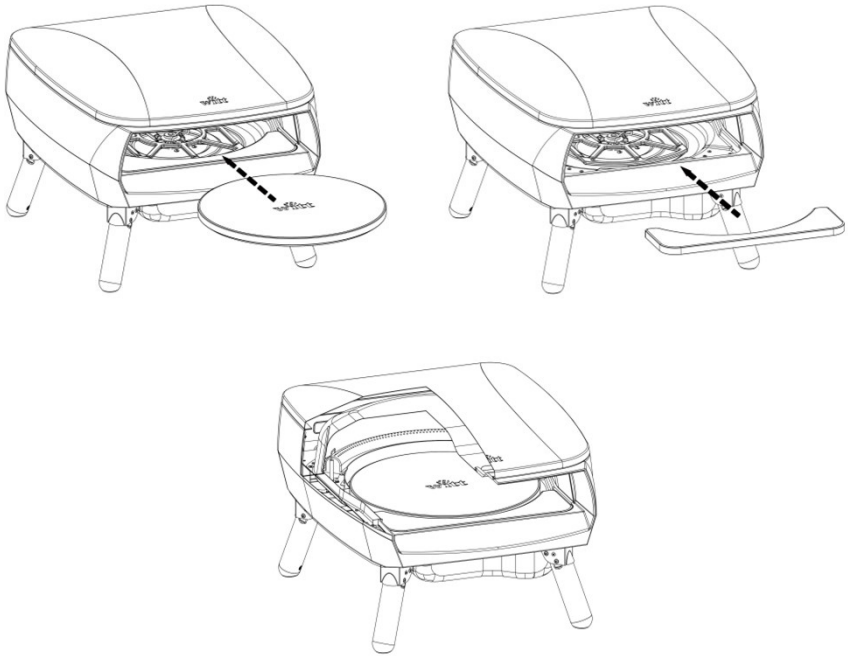


2. Keerake lahti elektroonilise süüte kate ja sisestage AA patarei. Pange tähele (+) ja (-) märgistusi patareipesas. Kruvige kate tagasi oma kohale. Avage patareipesa. Sisestage neli uut AA-patareid ja asetage patareid vastavalt pluss- (+) ja miinuspooluse (-) märgistusele.

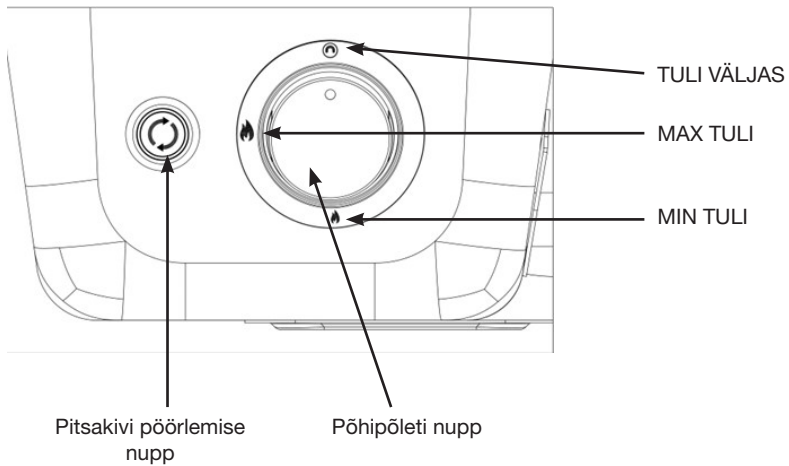
Sulgege patareipesa.



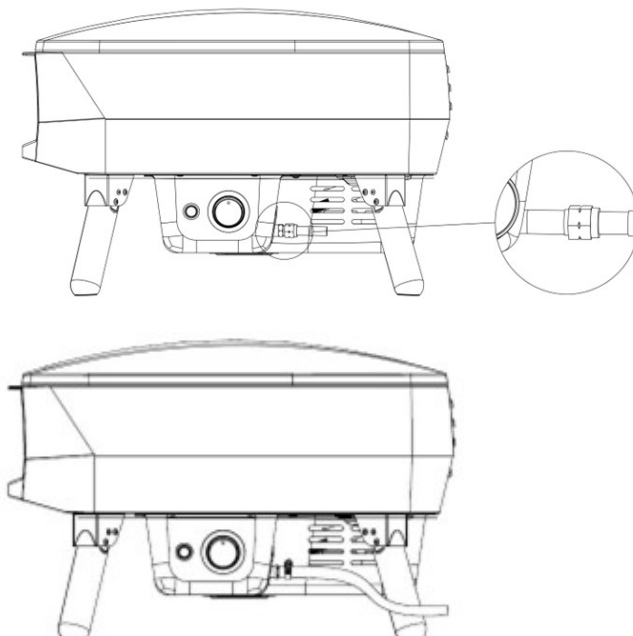
3. Eemaldage pakend pitsakivilt ja paigutage pitsakivi alusele.



4. Enne gaasivooliku ühendamist veenduge, et põleti nupud on asendis VÄLJAS.



5. Ühendage gaasivoolik pitsaahjuga.

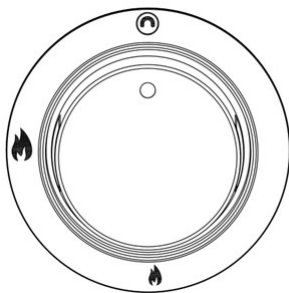


PITSAAHJU KASUTAMINE / SÜÜTAMISJUHEND

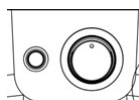
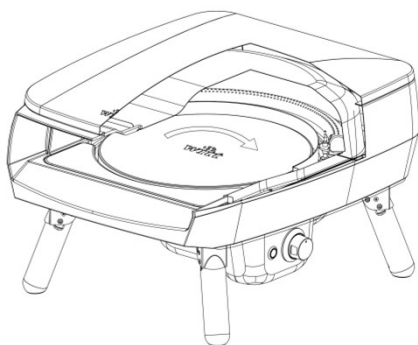
Kui regulaator on korralikult ühendatud, saab gaasi sisse lülitada.

Witt PICCOLO Rotante

Põleti süütamiseks: vajutage ja keerake samal ajal sisse-/väljalülitusnappu aeglaselt vastupäeva, kuni kuulete klõpsatust ja põleti süttib. See võtab umbes 8–10 sekundit, sest gaas peab jõudma läbi põleti toru ahju. Hoidke sisse-/väljalülitusnappu pärast süütamist veel 10 sekundit vajutatult ja laske seejärel napp lahti. Seadistage põleti soovitud viisil. Kui põleti ei lülitu sisse, jätke napp asendisse VÄLJAS ja oodake viis minutit, enne kui proovite uuesti.



Vajutage nappu, et panna pitsakivi pöörlema.



Sümbol	Kirjeldus
	Põhipõleti
	Pöörlemine

Väljastpoolt:

- Enne kui puhastate pitsaahju välispinda, veenduge et see on jahtunud ja seda on ohutu puudutada.
- Värvitud osi ja plastpindu saab puhastada lahja seebivee ja puhta lapiga (ärge kasutage küürimis- või rasvaeemaldusaineid ega rasva eemaldamise vahendeid ega küürimisnuustikuid).
- Soovitatav on kõigepealt katsetada pesuvahendit seadme väiksemal alal. ÄRGE kunagi kasutage värvilahjendeid või sarnaseid lahusteid ja ÄRGE kunagi valage soojale pinnale külma vett.
- Pühkige lapiga.

Seestpoolt:

- Veenduge, et pitsaahi on jahtunud ja seda on ohutu puudutada, enne kui puhastate selle sisemust.
- Eemaldage enne puhastamist ümmargune pitsakivi ja esikivi.
- Kangekaelse mustuse või rasva puhastamiseks kasutage niisket käsna, millele on pandud veidi söögisoodat. Ärge kasutage küürimisvahendeid.

Pitsakivi:

- Pitsakivi on mõeldud ainult Witt'i pitsaahjus kasutamiseks, see ei ole mõeldud kasutamiseks lahtise tule kohal.
- Pitsakivi on habras ja võib puruneda, kui seda lüüakse või kukutatakse.
- Pitsakivi muutub kasutamisel väga kuumaks ja jääb pärast kasutamist pikaks ajaks soojaks.
- Pitsakivi puhastamiseks kuumutage ahju umbes 30 minutit ja te saate pitsakivilt jäägid eemaldada pärast selle maha jahtumist näiteks Witt'i pitsaahjuharjaga.
- Pitsakivi ja esikivi tuleb hoida kasutuskordade vahepeal kuivas, sest need ei talu niiskust.

TÖRKEOTSING

Põleti ei sütti:

gaasiventiil ei ole sees.	Lülitage ventiil sisse.
Gaasiballoon on tühi.	Asendage gaasiballoon uuega.
Süütenupp ei tööta.	Kontrollige patareid.
Süütamisel ei teki sädet.	Võtke ühendust teeninduskeskusega

Põleti leek on ebaregulaarne:

leek põleb põleti sees (sosistav heli).	Lülitage põleti välja ja laske sel jahtuda. Seejärel proovige veel kord süütamist.
Regulaator on defektne.	Võtke ühendust teeninduskeskusega
Injektor on osaliselt blokeeritud.	Puhastage injektor hambaharjaga. Ärge puurige väljapoole ja ärge kasutage ummistuste eemaldamiseks traati/terastraati. Võtke ühendust teeninduskeskusega

Gaasileke liitmike vahel:

ühendused on lahti.	Pingutage lahtised ühendused (mitte üle pingutada) ja tehke lekkekatsse seebiveega (vt juhiseid jaotisest "Lekkekatsse" lk 4)
Voolik on kahjustatud.	Vahetage voolik välja. (Teeninduskeskuse kontaktandmed).
Gaasiventiil on defektne.	Võtke ühendust teeninduskeskusega
Ühendused/liitmikud on kahjustatud.	Võtke ühendust teeninduskeskusega

Pitsakivi ei pöörle:

pitsakivi ei pöörle.	Veenduge, et toiteadapteri kaabel on õigesti ühendatud ja et seade on sisse lülitatud. Veenduge, et patareid on õigesti patareipessa sisestatud. Kontrollige, kas patareid on täis laetud ja vajadusel vahetage need välja. Veendumaks, et esikivi ei blokeeri pöörlmist, tuleb esiosa ahjuava poole nihutada.
Pitsakivi on kahjustatud.	Võtke ühendust teeninduskeskusega
Nupud/kontaktid või kaablid on kahjustatud.	Võtke ühendust teeninduskeskusega

GARANTII JA TEENINDUS

TÄHELEPANU

Garantii hõlmab materjale ja töötasu. Kui võtate ühendust teenindusosakonnaga, teatage toote nimi ja seerianumber ning täitke teenindusvorm aadressil

<https://service.witt.dk/service/da/witt/pizzaservice.aspx>.

Selle teabe leiab tüübisildilt. Kirjutage nende juhiste teave üles, et need oleksid teil käepärast. See võimaldab hooldustehnikul õiged varuosad lihtsamalt leida. Garantiiperioodi jooksul parandab teie pitsaahju Witt'i volitatud teeninduskeskus tingimusel, et teie pitsaahi toimetatakse teeninduskeskusesse ja viiakse sealt ära, vt alltoodud tingimusi.

GARANTII

Kaks aastat

GARANTII EI HÕLMA:

1. Vead ja kahjustused, mis ei ole tingitud tootmis- või materjaliprobleemidest
2. Loomulik, mõistlik kulumine (nt restide/plaatide värvimuutus kuumuse tõttu).
3. Kahjurite põhjustatud tootekahjustused.
4. Mitteoriginaalvaruosade kasutamine.
5. Kasutusjuhendis toodud juhiste mittejärgimine.
6. Kui seadet ei ole seadistatud/koostatud vastavalt juhistele.
7. Kui toote on paigaldanud või parandanud mitteprofessionaalid.
8. Rooste ja tuhmumine.

TRANSPORDIKAHJUSTUS

Kui toode on transpordi käigus kahjustunud ja see avastatakse alles siis, kui jaemüüja toote kliendile kätte toimetab, on see üksnes kliendi ja jaemüüja vaheline küsimus. Kui klient on toote ise transportinud, ei vastuta tarnija võimalike transpordikahjustuste eest. Transpordi käigus tekkinud kahjustustest tuleb teatada kohe ja hiljemalt 24 tunni jooksul pärast toote kättesaamist. Vastasel juhul lükatakse kliendi nõue tagasi.

KOMMERTSOSTUD

Kommertsostud on kõik selliste seadmete ostud, mis ei ole mõeldud kasutamiseks kodumajapidamistes, vaid on mõeldud kasutamiseks äriistel eesmärkidel (restoranides, kohvikutes, sööklates jne) või mis on mõeldud rendile andmiseks või muul viisil mitme kasutaja poolt kordamööda kasutamiseks.

Garantiid ei pakuta kommertsostudele, kuna see toode on mõeldud ainult tavaliseks koduseks kasutamiseks.

Kõik teenusetaotlused:

E-POST: service@wittpizza.dk

Vaata lähemalt: www.wittpizza.com

ELi vastavusdeklaratsioon:

Witt Hvidevarer A/S kinnitab käesolevaga, et järgmine seade vastab kõigile püsivatele ja olulistele nõuetele vastavalt ELi direktiivile 2014/53.

1935/2004. Witt Hvidevarer A/S Gødstrup Søvej 9, DK-7400 Denmark. Witt

US, LLC PO BOX: 1044, 800 State Route 11, Champlain, NY 12919, USA,

Witt UK & Ireland Ltd. 4 Tannery House, Tannery Lane, Send, Working, Surrey,

GU23 7EF. www.witt.dk

SATURS

DROŠĪBAS INSTRUKCIJA	131
<i>Noplūdes pārbaude</i>	132
<i>Gāzes balona pievienošana</i>	133
<i>Gāzes balona atvienošana</i>	133
<i>Baterijas</i>	134
TEHNISKĀ INFORMĀCIJA	135
ĀRA UZSTĀDĪŠANAS INSTRUKCIJA.....	136
<i>Uzstādīšana:</i>	137
PICAS KRĀSNS IZMANTOŠANA/AIZDEDZES ROKASGRĀMATA	141
TĪRĪŠANA UN APKOPE	142
TRAUCĒJUMMEKLĒŠANA	143
GARANTIJA UN SERVISS	144

DROŠĪBAS INSTRUKCIJA

Lai samazinātu ugunsgrēka vai citu bojājumu risku, pirms šīs ierīces lietošanas rūpīgi izlasiet šo drošības rokasgrāmatu.



- **NELIETOJIETŠO IERĪCI, PIRMS ŠĪS LIETOŠANAS INSTRUKCIJAS IZLASĪŠANAS**
- **NENOVĪTOJIETVAI NEATBALSTIET PRIEKŠMETUS PIE ŠĪS IERĪCES**
- **NEGLABĀJIET KĪMISKĀS VIELAS, UZLIESMOJOŠUS MATERIĀLUS VAI AEROSOLA KĀRBAS ŠĪS IERĪCVES TUVUMĀ**
- **IERĪCI AIZLIEGTS IZMANTOT IEKŠTELPĀS**
- **AIZLIEGTS TAUKIEM/ELĻĀM, PELNIEM VAI NESADEGUŠAI DEGVIELAI UZKRĀTIES IERĪCĒ STARP LIETOŠANAS REIZĒM.**

- **BRĪDINĀJUMS:** picas krāsns daļas var būt ļoti karstas!
- Tikai lietošanai ārpus telpām. Nekad neizmantojiet picas krāsni slēgtās, nosegtās telpās.
- Bērniem un mājdzīvniekiem aizliegts piekļūt pie ierīces.
- Nepārvietojiet ierīci lietošanas laikā.
- Pēc ierīces lietošanas izslēdziet gāzes padevi gāzes balonā.
- Nepārveidojiet ierīci.
- Aizliegts modificēt ražotāja aizzīmogatās oriģinālās detaļas.
- Strādājot ar karstiem komponentiem, vienmēr valkājiet grila cimdus.
- Neglabājiet ierīci iekštelpās, izņemot gadījumus, kad gāzes balons ir atvienots. Ja ierīce nav tikusi izmantota ilgāku laiku, tā ir jānoņem un jāuzglabā oriģinālajā iepakojumā sausā vietā.

Piezīme: gāzes balons vienmēr jāuzglabā ārā, vietā ar labu ventilāciju. Atvienotu gāzes balonu nedrīkst glabāt ēkā, garžā vai citā slēgtā vietā! Gāzes baloni jāuzglabā stāvus ārā, bērniem nepieejamā vietā.

- **BRĪDINĀJUMS:** Tīrīšana un apkope jāveic tikai tad, kad picas krāsns ir pilnībā atdzisusi un gāzes balons ir atvienots.

- Nekad neļaujiet apgērbam vai citiem viegli uzliesmojošiem materiāliem saskarties ar degli vai karstu virsmu, kamēr ierīce nav atdzisusi. Materiāls var aizdegties un izraisīt nopietnus savainojumus.
- Daži sintētiskas materiāli ir viegli uzliesmojoši, un tos nevajadzētu valkāt, kad izmantojat picas krāsni. Izmantojot picas krāsni, nedrīkst valkāt brīvus apgērbus vai piedurknes.
- Arī picas krāsns apakšdaļa sakarst līdz augstai temperatūrai. Nenovietojiet picas krāsni uz plastmasas galdiem vai citām degošām virsmām, galdautiem, u.tml.
- Picas krāsns nav paredzēta lietošanai uz laivām, motormājās vai treileros.
- Nepārveidojiet picas krāsni, jo tas var izraisīt miesas bojājumus vai produkta bojājumus.
- Turklāt neatļautas picas krāsns modifikācijas rezultātā tiks zaudēta garantija.
- Pār picas krāsni nedrīkst būt, piemēram, koki vai jumta konstrukcijas.

NOPLŪDES PĀRBAUDES:

- **PIRMS IERĪCES LIETOŠANAS PĀRBAUDIET VISUS GĀZES SAVIENOJUMUS IERĪCĒ:** Lai gan pirms iepakojšanas un nosūtīšanas ierīces gāzes pieslēgumi ir hermētiski pārbaudīti, uzstādīšanas vietā ir jāveic pilnīga pārbaude. Ja kādā brīdī jūtat gāzes smaku, nekavējoties pārtrauciet picas krāsns izmantošanu un pārbaudiet, vai visā sistēmā nav gāzes noplūdes. Pagatavojiet šķīdumu ar pilienu šķīdtrauku mazgāšanas līdzekļa un nedaudz ūdens. Lai uzklātu šķīdumu armatūrai, jums būs nepieciešama aerosola pudele, birste vai drāniņa. Uzklājiet ziepju šķīdumu visai gāzes armatūrai. Vietās, kur ir noplūde, būs ziepju burbuļi. Ja ir noplūde, nekavējoties izslēdziet gāzes padevi un noslēdziet noplūdes elementus. Veiciet noplūdes pārbaudi katru reizi, kad maināt gāzes tvertni, vai pēc ilgāka laika perioda, kad krāsns nav izmantota.
- Pārliedzinieties, vai vārsts ir pareizi novietots. Pārliedzinieties, vai caurule nav bojāta.

SVARĪGI: ja gāzes noplūdi nevar apturēt, izslēdziet gāzes padevi un sazinieties ar klientu apkalpošanas servisu.

BRĪDINĀJUMS: NEKAD neieslēdziet degļus, kamēr tiek veiktas gāzes noplūdes pārbaudes.

IEVĒROT: tā kā daži testa šķīdumi, tostarp ziepjūdens, var izraisīt rūsas, visi savienojumi ir jāizskalo ar ūdeni, kad noplūdes pārbaude ir pabeigta.

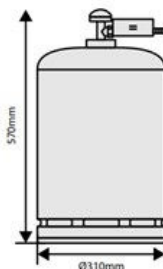
Gāzes balona pievienošana:

- Gāzes padevei vai caurulei jāatbilst spēkā esošajām prasībām, un tās regulāri jāpārbauda un vajadzības gadījumā jānomaina. Caurulei jāatbilst EN16436 standartam. Regulatoram jāatbilst EN16129 standartam.

BĪSTAMĪBA: Neizmantojiet spiediena regulatoru (piemēram, tādu, kādu izmanto nezāļu degļiem). Eksplozijas vai aizdegšanās risks.

- Nominālā jauda (gāzes spiediens) ir no 28-37 mbar un 50 mbar Vācijā, Austrijā un Šveicē.
- Nolietotās vai bojātās caurules ir jānomaina. Pārbaudiet, vai caurule nav saspiesta, sadalīta vai saskarē ar pīcas krāsni, izņemot vietu, kur tā ir pievienota.
- Dažos reģionos caurule un regulators var nebūt piegādāti kopā ar ierīci.
- Ierīces caurule nedrīkst pārsniegt 1,5 m.
- Savienojiet gāzes balonu ar pīcas krāsni, izmantojot cauruli un regulatoru. Uzmanīgi pievelciet uzgriežņus, bet nepārvelciet un nesagrieziet. Esiet uzmanīgi un nesabojājiet regulatora armatūru. Pirms gāzes balona atvēršanas pārliecinieties, vai VISI krāsns vārsti/pogas ir izslēgti.
- Regulatora caurule nedrīkst atrasties asu priekšmetu un siltuma avotu tuvumā.
- Pirms gāzes balona nomainīšanas: pirms caurules un regulatora atvienošanas no balona (nevis no pašas krāsns) pārliecinieties, vai gāze ir izslēgta.
- Nomainiet elastīgo cauruli saskaņā ar spēkā esošajām nacionālajām prasībām.
- Neizmantojiet sašķidrinātās naftas gāzes balonu, kura maksimālais platums ir 310 mm un augstums pārsniedz 570 mm.

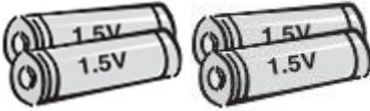
Noplūdes pārbaudes: Kad caurule un regulators ir uzstādīti un nostiprināti saskaņā ar lietošanas instrukciju, gāzi var ieslēgt. Pēc tam apsmidziniet savienojumus ar ūdens/ziepju maisījumu, lai pārbaudītu, vai nav noplūdes.



IEVĒROT: Pārliecinieties, vai gāzes balons ir pilnībā aizsargāts no krāsns.

Gāzes balona atvienošana:

- Atvienojot gāzes balonu: Pārliecinieties, vai krāsns ieslēgšanas/izslēgšanas poga ir pozīcijā OFF. Pārliecinieties, vai balona vārsts ir aizvērtā stāvoklī. Atvienojiet regulatora bloku no gāzes balona un noņemiet to. Noteikti novietojiet gāzes balonu vismaz viena metra attālumā no krāsns, lai izvairītos no aizdegšanās riska.
- Prasības/noteikumi regulatoram un caurulei: jūsu gāzes degļa krāsni izmantotajam regulatoram ir jābūt CE marķētam un jāatbilst piemērojamām prasībām un noteikumiem.



Baterijas:

- Atbrīvojieties no baterijām atbildīgi un glabāiet tās bērniem nepieejamā vietā, ja viņi tās varētu norīt. **Ja bērns norij bateriju, nekavējoties sazinieties ar ārstu!**
- Nejauciet vecās baterijas ar jaunām. Tas var izraisīt bateriju pārkaršanu un noplūdi.
- Neuzlādējamās baterijas nedrīkst ievietot lādētājā.
- Neizjauciet, nespiediet, nepārduriet vai nekādā veidā nesabojājat baterijas. Tas var izraisīt plaisas vai noplūdes.
- Uzturiet bateriju ilgmūžību, izslēdzot ierīci un atvienojot baterijas no kontaktligzdas, ja ierīce netiek lietota - vai ir paredzēts, ka tā tiks izmantota - ilgāku laiku.
- Izmantojiet noteikta veida baterijas (5 × AA baterijas).
- Ievietojiet baterijas pareizi. Pārliecinieties, vai bateriju poli (- un +) ir pagriezti pareizi.
- Nekavējoties izņemiet no ierīces izlietotās baterijas un atbrīvojieties no tām droši un pareizi saskaņā ar noteikumiem. Neizmetiet baterijas atkritumos, tās jānodod tuvākajā pārstrādes centrā.

TEHNISKĀ INFORMĀCIJA

Modeļa numurs	Saņēmējvalsts	Kopējā siltumapgāde	Degļi	Inžektors/ Izmēra marķējums	Kategorijas	Gāzes veidi
Witt PICCOLO Rotante	BE, CH, CY,CZ, ES,FR, GB,GR,IE,IT,LT,LU,L- V,PT, SI,SK,TR, IL	5,2 kW	1	Φ 1,12mm	I 3+(28~30/37)	G30 Butane 28~30 mbar G31 Propane 37 mbar
	BE, BG, CY, CZ, DK, EE, FI, GB, HR, HU, IT, LT, LU, SI, MT, NL, NO, RO, SE, KE,IS	5,2 kW	1	Φ 1,12mm	I 3B/P(30)	G30 Butane vai G31 Propane 30mbar
	AT, CH, DE, SK	5,2 kW	1	Φ 1,06mm	I 3P(50)	G31 Propane 50mbar
	PL	5,2 kW	1	Φ 1,12mm	I 3P(37)	G30 Butane vai G31 Propane 37mbar

Produkta detaļas	Witt PICCOLO Rotante
Izmēri	650 × 535 × 440
Svars NW/GW	19 / 26

PIN CODE: 1336DO050

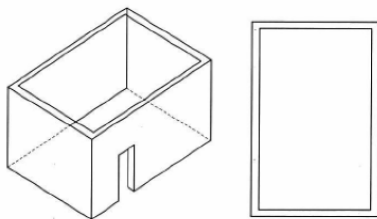
ĀRA UZSTĀDĪŠANAS INSTRUKCIJA

Picas krāsns ir paredzēta lietošanai vienīgi ārpus telpām, un to drīkst izmantot tikai labi vēdināmā vietā, prom no degošiem materiāliem.

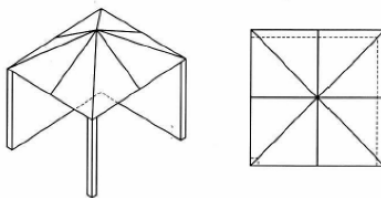
AIZLIEGTS izmantot picas krāsni iekštelpās, garāžās, terasēs, nojumēs vai citās slēgtās telpās. Picas krāsns nav paredzēta lietošanai uz laivām, motormājās vai treileros, un to nedrīkst novietot tuvu vai zem virsmas, kas var degt vai ir karstumjutīga. Nenobloķējiet gaisa padevi un degšanu ap picas krāsni lietošanas laikā. Atbilstoša ventilācija ir nepieciešama drošai un pareizai picas krāsns darbībai un efektivitātei. Tas būs arī drošāk gan lietotājam, gan apkārtesošajiem vietā, kur tiek izmantota picas krāsns. Picas krāsni AIZLIEGTS izmantot slēgtās, nosegtās telpās.

Kā norādīts tālāk ilustrācijā, picas krāsns jāuzstāda ārā, vietā, kas ir atvērta vismaz no divām pusēm vai augšpusē. Tas ir svarīgi it īpaši gāzes noplūdes situācijā, jo tad gāze var izkļūt ārā un tiek novērsts sprādziens.

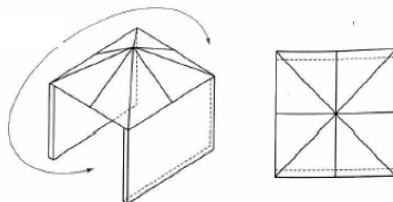
1. piemērs:
Ventilācija no atvērta jumta un atvērtām durvīm



2. piemērs:
Atvērts abās pusēs: Priekšpuse un pa labi



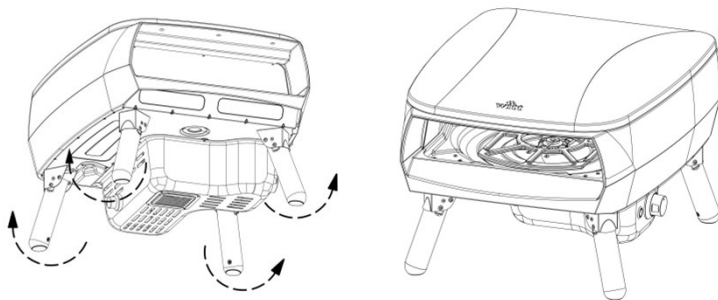
3. piemērs:
Atvērts abās pusēs: Priekšpuse un aizmugure



Uzstādīšana:

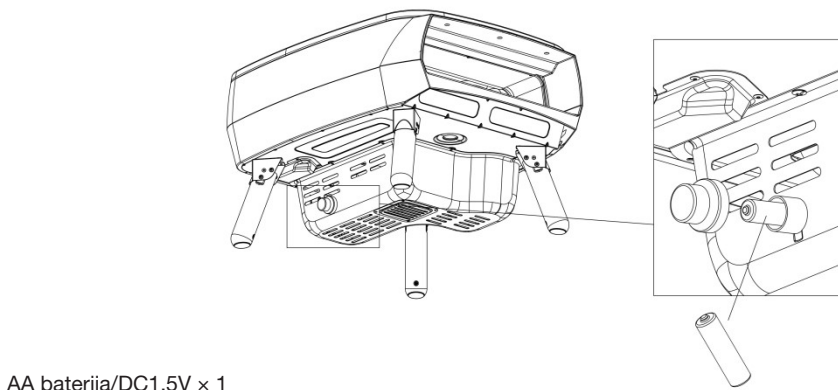
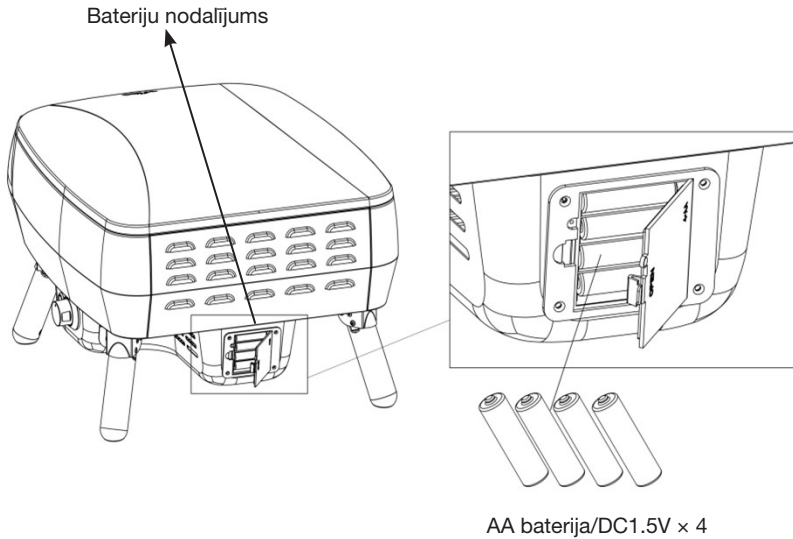
1.

Pilnībā atlociet krāsns kājas un pēc tam nostādiēt picas krāsni (ņemiet vērā, ka tā sver līdz 19 kg).

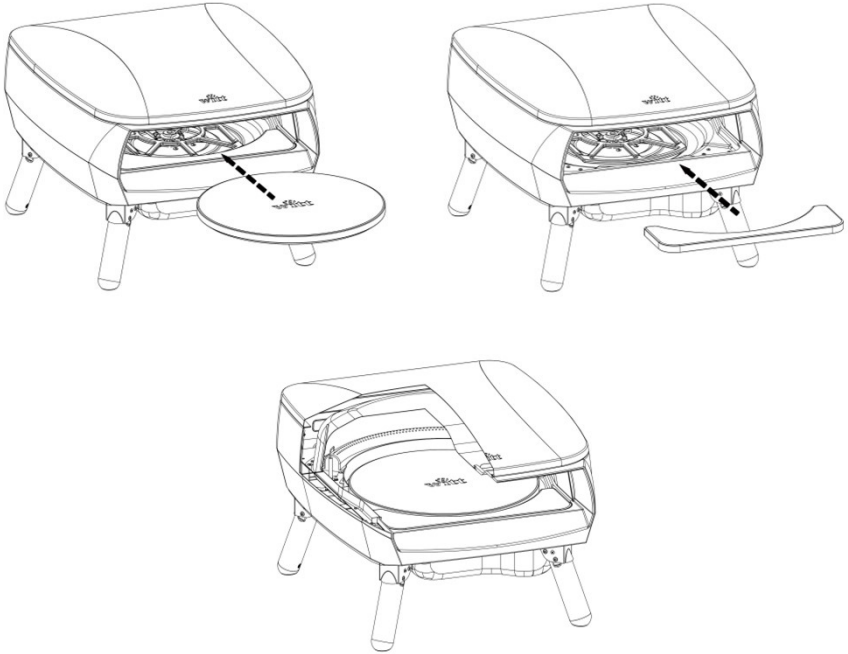


2. Noskrūvējiet elektroniskās aizdedzes vāciņu un ievietojiet AA bateriju. Ievērojiet (+) un (-) marķējumus bateriju nodalījumā. Aizskrūvējiet vāku atpakaļ vietā. Atveriet bateriju nodalījumu. Ievietojiet četras jaunas AA baterijas un ievietojiet tās tā, lai (+) un (-) būtu pareizajā virzienā atbilstoši norādēm.

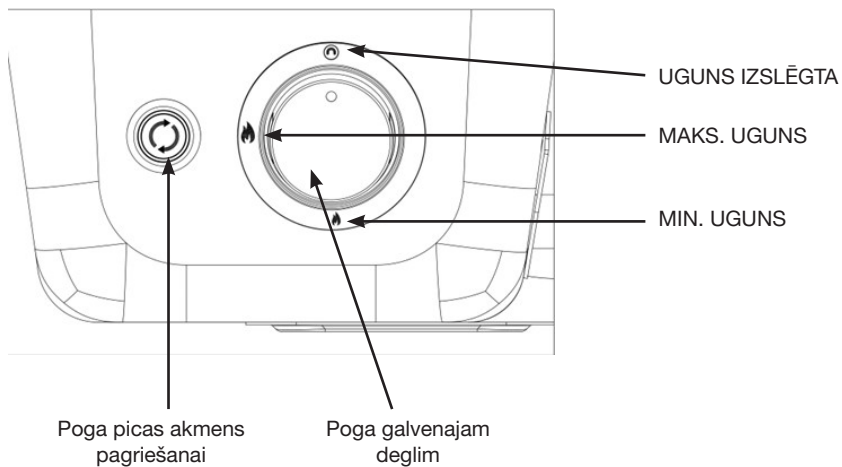
Aizveriet bateriju nodalījumu.



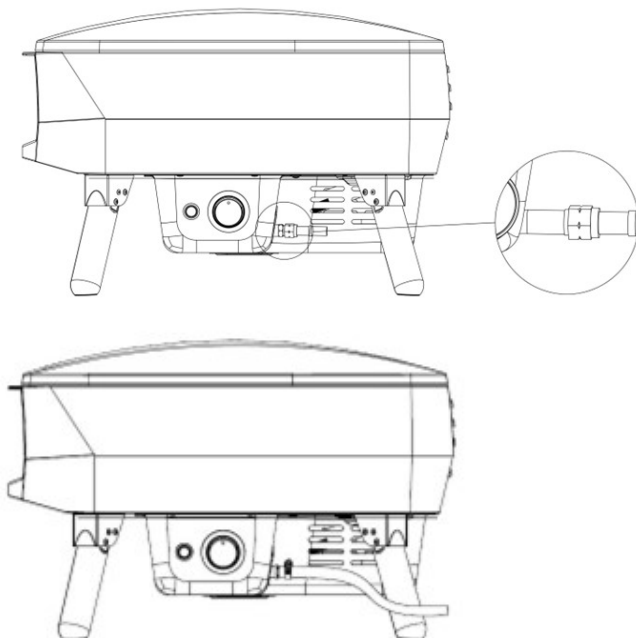
3. Noņemiet iepakojumu no picas akmens un piestipriniet to pie picas akmens paplātes.



4. Pirms gāzes caurules pievienošanas pārliecinieties, vai degļa pogas ir IZSLĒGTA pozīcijā.



5. Savienojiet gāzes cauruli ar picas krāsni.

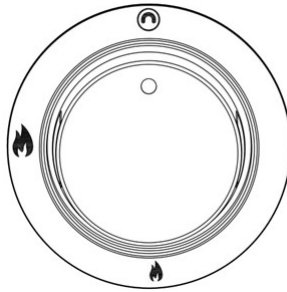


PICAS KRĀSNS IZMANTOŠANA/AIZDEDZES ROKASGRĀMATA

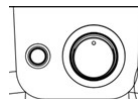
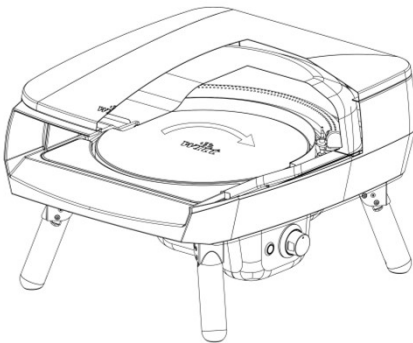
Kad regulators ir pareizi pievienots, gāzi var ieslēgt.



Witt PICCOLO Rotante

Lai aizdedzinātu degli: nospiediet un vienlaikus lēnām pagrieziet ieslēgšanas/izslēgšanas pogu pretēji pulksteņrādītāja virzienam, līdz atskan klikšķis un deglis aizdegas. Tas aizņems apmēram 8-10 sekundes, jo gāzei ir jāpārvietojas pa degļa cauruli uz krāsni. Pēc aizdedzes turiet nospiestu ieslēgšanas/izslēgšanas pogu vēl 10 sekundes un pēc tam atlaidiet pogu. Iestatiet degli pēc nepieciešamības. Ja deglis neieslēdzas, atstājiet pogu IZSLĒGTA pozīcijā un pagaidiet piecas minūtes, pirms mēģināt vēlreiz.



Nospiediet pogu, lai uzstādītu picas akmens griešanos.



Simbols	Apraksts
	Galvenais deglis
	Grozāma rotācija

Ārpuse:

- Pirms ārpusē tīrīšanas pārliecinieties, vai picas krāsns ir atdzisusi, un tai ir droši pieskarties.
- Krāsotās detaļas, kā arī plastmasas virsmas var tīrīt ar maigu ziepjūdeni un tīru drānu (neizmantojiet beršanas vai tauku noņemšanas līdzekļus vai tīrīšanas spilventiņu).
- Ieteicams vispirms pārbaudīt mazgāšanas līdzekli mazākā ierīces laukumā. AIZLIEGTS izmantot krāsas atšķaidītājus vai līdzīgus šķīdinātājus un NEKAD neļieiet aukstu ūdeni uz siltām virsmām.
- Noslaukiet ar drānu.

Iekšpuse:

- Pirms ārpusē tīrīšanas pārliecinieties, vai picas krāsns ir atdzisusi, un tai ir droši pieskarties.
- Pirms tīrīšanas noņemiet apaļo picas akmeni un priekšējo akmeni
- Lai notīrītu noturīgus netīrumus vai taukus, uz mitra sūkļa uzklājiet nedaudz cepamās sodas. Neizmantojiet tīrīšanas līdzekļus.

Picas akmens:

- Picas akmens ir paredzēts lietošanai tikai Witt picas krāsnī, tas nav paredzēts lietošanai uz atklātas uguns.
- Picas akmens ir trausls un var salūzt, ja to sasiņ vai nomet.
- Picas akmens lietošanas laikā ļoti sakarsts un pēc lietošanas ilgstoši paliek silts.
- Lai notīrītu picas akmeni, uzkaršējiet krāsni apmēram 30 minūtes, un pēc tās atdzišanas varat noņemt atlikumus no picas akmens, piemēram, ar Witt picas krāsns birsti.
- Picas akmens un priekšējais akmens starp lietošanas reizēm jāuzglabā sausā veidā, jo tas nepanes mitrumu.

TRAUCĒJUMMEKLĒŠANA

Deglis neaizdegas:

Gāzes vārsts nav ieslēgts.	Ieslēgt vārstu.
Gāzes balons ir tukšs.	Nomainiet gāzes balonu pret jaunu.
Aizdedzes poga nedarbojas.	Pārbaudiet bateriju.
Aizdedzes laikā nav dzirksteles.	Sazinieties ar servisa centru

Degļa liesma ir neregulāra:

Liesma deg degļa iekšpusē (čukstoša skaņa).	Izslēdziet degli un ļaujiet tai atdzist. Pēc tam mēģiniet aizdedzināt vēlreiz.
Regulators ir bojāts.	Sazinieties ar servisa centru
Inžektors ir daļēji bloķēts.	Notīriet inžektoru ar zobu birsti. Neizurbiet un neizmantojiet stiepli/tērauda stiepli, lai notīrītu aizsprostojumus. Sazinieties ar servisa centru

Gāzes noplūde starp savienojumiem:

Savienojumi ir vaļīgi.	Pievelciet vaļīgos savienojumus (nepievelciet pārāk cieši) un veiciet spiediena noplūdes pārbaudi, izmantojot ziepjūdeni (skatīt instrukciju 'Noplūdes pārbaude' 4. lappusē).
Caurule ir bojāta.	Nomainiet cauruli. (Sazinieties ar servisa centru).
Gāzes vārsts ir bojāts.	Sazinieties ar servisa centru
Savienojumi ir bojāti.	Sazinieties ar servisa centru

Picas akmens negriežas:

Picas akmens negriežas.	Pārliecinieties, vai strāvas adaptera kabelis ir pievienots pareizi un strāva ir ieslēgta. Pārliecinieties, vai baterijas ir pareizi ievietotas bateriju nodalījumā. Pārbaudiet, vai baterijas ir pilnībā uzlādētas, un, ja nepieciešams, nomainiet tās. Lai nodrošinātu, ka priekšējais akmens netraucē rotāciju, priekšpuse ir jābīda uz priekšu līdz krāsns atverei.
Picas akmens ir bojāts.	Sazinieties ar servisa centru
Poga/slēdzis vai kabelis ir bojāti.	Sazinieties ar servisa centru

GARANTIJA UN SERVISS

IEVĒROT

Garantija ietver materiālus un darba samaksu. Sazinoties ar servisa nodaļu, lūdzu, norādiet preces nosaukumu, sērijas numuru un aizpildiet servisa veidlapu vietnē

<https://service.witt.dk/service/da/witt/pizzaservice.aspx>.

Šo informāciju var atrast uz tipa zīmes. Pierakstiet informāciju šajās instrukcijās, lai tā būtu pa rokai. Tādējādi servisa tehniķim ir vieglāk atrast pareizās rezerves daļas.

Garantijas laikā jūsu picas krāsni remontēs Witt Authorised Service Centre, ja jūsu picas krāsns tiks piegādāta servisa centrā un izņemta no tā, skatiet tālāk sniegtos noteikumus un nosacījumus.

GARANTIJA

Divi gadi

GARANTIJĀ NAV IETVERTS:

1. Kļūdas un bojājumi, kas nav radušies ražošanas vai materiālu problēmu dēļ
2. Normāls, saprātīgs nolietojums (piemēram, režģa/plākšņu karstuma maiņa).
3. Produkta bojājumi, ko izraisījuši kaitēkļi.
4. Ja tiek izmantotas neoriģinālas rezerves daļas.
5. Ja lietotāja rokasgrāmatā sniegtie norādījumi nav ievēroti.
6. Ja ierīce nav iestatīta/samontēta, kā norādīts instrukcijās
7. Ja izstrādājumu uzstādījuši vai remontējuši neprofesionāļi.
8. Rūsa un apraiņa.

TRANSPORTA BOJĀJUMI

Ja prece ir bojāta transportēšanas laikā un tas tiek atklāts tikai tad, kad mazumtirgotājs precī piegādā klientam, tas ir tikai un vienīgi klienta un mazumtirgotāja starpā. Gadījumos, kad klienti precī transportējuši paši, piegādātājs nav atbildīgs par iespējamiem bojājumiem transportēšanas laikā. Par jebkādiem bojājumiem, kas radušies transportēšanas laikā, ir jāziņo nekavējoties un ne vēlāk kā 24 stundu laikā pēc preces piegādes. Ja nē, klienta prasība tiks noraidīta.

KOMERCIĀLIE PIRKUMI

Komerčiālie pirkumi ir visi tādu ierīču pirkumi, kuras nav paredzētas lietošanai privātās māsaimniecībās, bet gan komerciālos nolūkos (restorānos, kafejnīcās, ēdnīcās u.c.) vai ir paredzētas izīrēšanai vai kā citādi lietošanai vairākiem lietotājiem šajā valstī. pagrieziena.

Komerčiālajiem pirkumiem garantija netiek piedāvāta, jo šis produkts ir paredzēts tikai regulārai lietošanai māsaimniecībā.

Visi servisa pieprasījumi:

E-PASTS: service@wittpizza.dk

Skatīt vairāk vietnē: www.wittpizza.com

EK atbilstības deklarācija:

Ar šo Witt Hvidevarer A/S apstiprina, ka šī prece atbilst visām pastāvīgajām un būtiskajām prasībām saskaņā ar ES direktīvu 2014/53.

1935/2004. Witt Hvidevarer A/S, Gødstrup Søvej 9, DK-7400 Dānija. Witt US, LLC PO BOX: 1044, 800 State Route 11, Champlain, NY 12919, USA, Witt UK & Ireland Ltd. 4 Tannery House, Tannery Lane, Send, Working, Surrey, GU23 7EF. www.witt.dk

TURINYS

SAUGUMO INSTRUKCIJOS	147
<i>Nuotėkio patikrinimas</i>	148
<i>Dujų baliono jungtis</i>	149
<i>Dujų baliono atjungimas</i>	149
<i>Baterijos</i>	150
TECHNINĖ INFORMACIJA	151
MONTAVIMO LAUKE VADOVAS	152
<i>Surinkimas:</i>	153
PICOS KROSNIES/UŽDEGIMO VADOVO NAUDOJIMAS	157
VALYMAS IR PRIEŽIŪRA.....	158
TRIKDŽIŲ ŠALINIMAS.....	159
GARANTIJA IR APTARNAVIMAS.....	160

SAUGUMO INSTRUKCIJOS

Kad sumažintumėte gaisro ar kitokios žalos pavojų, prieš naudodami šį prietaisą atidžiai ir iki galo perskaitykite šį saugos vadovą.



- **NENAUDOKITE** ŠIO PRIETAISO PRIEŠ TAI NEPERSKAITĘ NAUDOJIMO INSTRUKCIJŲ
- **NEDĖKITE** DAIKTŲ ANT ŠIO PRIETAISO ARBA PRIEŠAIS JĮ
- **NELAIKYKITE** CHEMIKALŲ, DEGIŲ MEDŽIAGŲ AR SKARDINIŲ SU PUKRŠTUKAIS ŠALIA ŠIO PRIETAISO
- **NENAUDOKITE** ŠIO PRIETAISO PATALPOSE
- **NELEISKITE** RIEBALAMS/ALIEJUI, PELENAMS ARBA NESUDEGUSIAM KURUI KAUPIS ANT PRIETAISO LAIKOTARPIU TARP PRIETAISO NAUDOJIMŲ

- ĮSPĖJIMAS: picos krosnies dalys gali būti labai įkaitusios!
- Skirta naudoti tik lauke. Niekada nenaudokite picos krosnies uždaroje, uždengtose patalpose.
- Vaikus ir gyvūnus visada laikykite atokiai nuo prietaiso.
- Naudojimo metu prietaiso nejudinkite prietaiso.
- Panaudoję prietaisą, išjunkite dujų tiekimą iš dujų baliono.
- Prietaiso nemodifikuokite.
- Naudotojui neleistina keisti sandarių originalių gamintojo dalių.
- Dirbdami su karštais komponentais, visada mūvėkite kepimui skirtas pirštines.
- Nelaiykite prietaiso patalpoje, nebent dujų balionas yra atjungtas. Jei prietaisas nėra naudojamas ilgesnį laiką, jį reikia pašalinti iš naudojimo vietos ir laikyti originalioje pakuotėje sausoje laikymo vietoje.

Pastaba: dujų balionas visada turi būti laikomas lauke, gerai vėdinamoje vietoje. Atjungto dujų baliono negalima laikyti pastate, garaže ar kitoje uždaroje patalpoje! Dujų balionai turi būti laikomi lauke, vaikams nepasiekiamoje vietoje.

- **ATSARGIAI!** Krosnies valymas ir priežiūra turi būti atliekami tik jai visiškai atvėsus ir atjungus dujų balioną.

- Niekada neleiskite drabužiams ar kitoms degioms medžiagoms liestis ar priartėti prie degiklio ar bet kurio kito karšto paviršiaus, kol prietaisas neatvės. Medžiaga gali užsidegti ir sukelti rimtą sužalojimą.
- Kai kurios sintetinės medžiagos yra labai degios ir neturėtų būti dėvimos naudojant krosnį. Naudojant krosnį negalima dėvėti palaidų drabužių ar rankovių.
- Krosnies apatinis paviršius taip pat pasiekia aukštą temperatūrą. Nestatykite picos krosnies ant plastikinių stalų ar kitų degių paviršių, staltiesių ar panašių daiktų.
- Picos krosnis nėra skirta naudoti laivuose, nameliuose ant ratų ar priekabose.
- Nemodifikuokite picos krosnies, nes galite susižaloti arba sugadinti gaminį.
- Neleistini picos krosnies pakeitimai taip pat nutrauks garantijos galiojimą.
- Virš picos krosnies neturi būti jokių objektų, tokių kaip medžiai ar stogo konstrukcijos.

NUOTĖKIO PATIKRINIMAS:

- **PRIEŠ NAUDOJANT PATIKRINKITE VISAS PRIETAISO DUJŲ JUNGTIS, JUNGTIS IR SUJUNGIMUS:** Nors prietaiso dujų jungčių nuotėkis buvo patikrintas prieš supakuojant ir išsiunčiant, montavimo vietoje reikia atlikti išsamų patikrinimą. Jei bet kuriuo metu pajaučiate dujų kvapą, nedelsdami nustokite naudoti picos krosnį ir patikrinkite visą sistemą, ar joje nėra nuotėkio. Paruoškite tirpalą su lašeliu skysto indų ploviklio ir trupučiu vandens. Norint aplikuoti tirpalą ant jungiamųjų detalių, jums reikės buteliuko su purkštuku, šepetėlio ar audinio skiautės. Užtepkite muilo tirpalą ant visų dujų jungčių. Nesandariose vietose susidarys muilo burbulai. Jei yra aptiktas nuotėkis, nedelsdami išjunkite dujų tiekimą ir priveržkite nesandarius elementus. Atlikite nuotėkis patikrinimą kiekvieną kartą, kai keičiate dujų balioną arba po ilgesnio laiko tarpo, kai krosnis nebuvo naudojama.
- Įsitikinkite, kad vožtuvas yra nukreiptas tinkamai. Įsitikinkite, kad žarna nėra pažeista.

SVARBU: jei nepavyksta sustabdyti dujų nuotėkio, išjunkite dujų tiekimą ir susisiekiate su klientų aptarnavimo tarnyba.

ĮSPĖJIMAS: NIEKADA nejunkite degiklių, kol atliekate dujų nuotėkio patikrinimą.

PASTABA: kadangi kai kurie tikrinimui skirti tirpalai, įskaitant muiluotą vandenį, gali sukelti rūdžių atsiradimą, baigus nuotėkio patikrinimą, visas jungtis reikia nuplauti vandeniu.

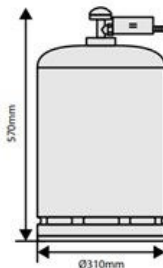
Dujų baliono jungtis:

- Dujų tiekimas arba žarna turi atitikti taikomus reikalavimus ir turi būti reguliariai tikrinami ir prireikus - pakeisti. Žarna turi atitikti EN16436 standartą. Reguliatorius turi atitikti EN16129 standartą.

PAVOJUS: Nenaudokite reguliuojamo slėgio reguliatoriaus (pvz., tokio tipo, kuris naudojamas piktžolių degikliuose). Sprogimo arba užsidegimo pavojus.

- Nominali galia (dujų slėgis) yra nuo 28-37 mbar, o Vokietijoje, Austrijoje ir Šveicarijoje - 50 mbar.
- Susidėvėjusias arba pažeistas žarnas reikia pakeisti. Patikrinkite, ar žarna nėra suspausta, suskilusi ir, ar nesiliečia su picos krosnimi, išskyrus toje vietoje, kur ji yra prijungta.
- Kai kuriuose regionuose žarna ir reguliatorius gali nebūti pridedami kartu su prietaisu.
- Prietaiso žarna neturi viršyti 1,5 m ilgio.
- Prijunkite dujų balioną prie krosnies naudodami žarną ir reguliatorių. Atsargiai priveržkite veržles, tačiau jų neperveržkite ir nesusukite. Būkite atsargūs, kad nepažeistumėte reguliatoriaus jungiamųjų detalių. Prieš atidarydami dujų balioną įsitinkite, kad VISI krosnies vožtuvai/mygtukai yra padėtyje „Off“.
- Reguliatoriaus žarna turi būti laikoma atokiau nuo aštrių daiktų ir šilumos šaltinių.
- Prieš keičiant dujų balioną: prieš atjungdami žarną ir reguliatorių nuo flakono (ne nuo pačios krosnies), įsitinkite, kad dujos yra išjungtos.
- Lanksčią žarną pakeiskite pagal galiojančias nacionalines rekomendacijas.
- Nenaudokite SND baliono, kurio didžiausias plotis yra daugiau nei 310 mm, o aukštis didesnis nei 570 mm.

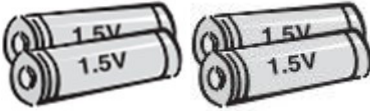
Nuotėkio patikrinimai: Kai žarna ir reguliatorius yra sumontuoti ir pritvirtinti pagal instrukcijas, galima įjungti dujas. Tuomet siūles apipurkškite vandens/ muilo mišiniu, kad patikrintumėte, ar nėra nuotėkio.



PASTABA: Įsitinkite, kad dujų balionas yra visiškai atskirtas nuo krosnies.

Dujų baliono atjungimas:

- Atjungiant dujų balioną: Įsitinkite, kad krosnies įjungimo/išjungimo mygtukas yra pasuktas į padėtį „OFF“. Įsitinkite, kad cilindro vožtuvas yra uždarytoje padėtyje. Atjunkite reguliatoriaus bloką nuo dujų baliono ir nuimkite jį. Būtinai laikykite dujų balioną bent vieno metro atstumu nuo krosnies, kad išvengtumėte gaisro pavojaus.
- Reikalavimai/taisyklės reguliatoriui ir žarnai: su jūsų dujine krosnimi naudojamas reguliatorius turi būti patvirtintas CE ir atitikti taikomus reikalavimus bei reglamentus.



Baterijos:

- Atsakingai išmeskite baterijas ir laikykite jas vaikams nepasiekiamoje vietoje, kad jie jų neprarytų. **Jeį vaikas praryja bateriją, nedelsdami kreipkitės į gydytoją!**
- Nemaišykite senų baterijų su naujomis. Dėl šios priežasties baterijos gali perkaisti ir atsirasti nuotėkis.
- Neįkraunamų baterijų negalima dėti į įkroviklį.
- Jokiu būdu neišardykite, nespauskite, nepradurkite ir nepažeiskite baterijų. Dėl to baterijose gali atsirasti įtrūkimai arba atsirasti nuotėkis.
- Išlaikykite baterijų ilgaamžiškumą išjungdami prietaisą ir baterijas iš elektros lizdo, kai prietaisas nėra naudojamas arba nėra numatomas naudoti ilgą laiką.
- Naudokite tam tikro tipo baterijas (5 × AA baterijas).
- Teisingai įdėkite baterijas. Įsitinkinkite, kad baterijų poliai (- ir +) yra pasukti teisinga kryptimi.
- Nedelsdami išimkite išsikrovusias baterijas iš prietaiso ir saugiai bei tinkamai išmeskite jas pagal taisykles. Nemeskite baterijų į šiukšlių dėžę, jas reikia atiduoti artimiausiame perdirbimo centre.

TECHNINĖ INFORMACIJA

Modelio numeris	Primanti šalis	Bendras šilumos tiekimas	Degikliai	Purkštuko/ dydžio ženklinimas	Kategorijos	Dujų tipai
Witt PICCOLO Rotante	BE, CH, CY,CZ, ES,FR, GB,GR,IE,IT,LT,LU,L- V,P,T, SI,SK,TR, IL	5,2 kW	1	Φ 1,12 mm	I 3+(28~30/37)	G30 Butanas 28~30 mbar G31 Propanas 37 mbar
	BE, BG, CY, CZ, DK, EE, FI, GB, HR, HU, IT, LT, LU, SI, MT, NL, NO, RO, SE, KE,IS	5,2 kW	1	Φ 1,12 mm	I 3B/P(30)	G30 Butanas arba G31 Pro- panas 30m bar
	AT, CH, DE, SK	5,2 kW	1	Φ 1,06 mm	I 3P(50)	G31 Propanas 50 mbar
	PL	5,2 kW	1	Φ 1,12 mm	I 3P(37)	G30 Butanas arba G31 Pro- panas 37 mbar

Išsami informacija apie produktą	Witt PICCOLO Rotante
Išmatavimai	650 × 535 × 440
Svoris GS/BS	19 / 26

PIN CODE: 1336DO050

MONTAVIMO LAUKE VADOVAS

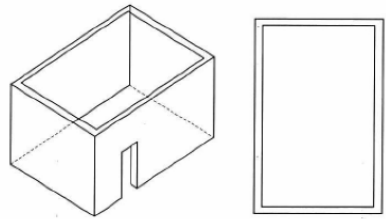
Picos krosnis yra skirta naudoti tik lauke ir gali būti naudojama tik gerai vėdinamoje vietoje, atokiau nuo degių medžiagų.

NIEKADA nenaudokite picos krosnies patalpose, garažuose, verandose, pastogėse ar kitose uždaroose patalpose. Picos krosnis nėra skirta naudoti laivuose, nameliuose ant ratų ar priekabose ir negali būti naudojama šalia ar po bet kokių paviršiumi, kuris gali uždegti arba yra jautrus karščiui. Neblokuokite oro tiekimo ir degimo aplink picos krosnį, kai ją naudojate. Kad picos krosnis veiktų efektyviai, saugiai ir tinkamai, reikalinga tinkama ventiliacija. Tai taip pat užtikrina didesnę saugumą naudotojui ir kitiems asmenims, esantiems toje vietoje, kur naudojama picos krosnis. Picos krosnies NIEKADA negalima naudoti uždaroose, uždengtose patalpose.

Picos krosnis turi būti įrengta lauke, tokioje vietoje, kur ji būtų atvira bent iš dviejų pusių arba iš viršaus, kaip yra parodyta toliau. Svarbu tai, kad esant galimam dujų nuotėkiui, yra galimybė, kad dujos išeis ir pasišalins, o sprogitas neįvyks.

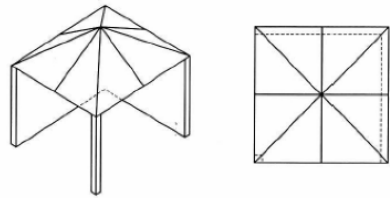
1 pavyzdys:

Vėdinimas esant atviram stogui ir atviroms durims



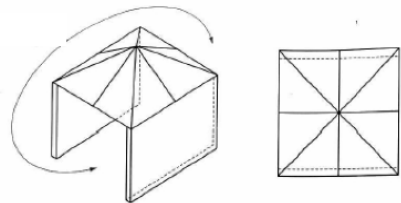
2 pavyzdys:

Atvira iš abiejų pusių: Priekis ir dešinė pusė



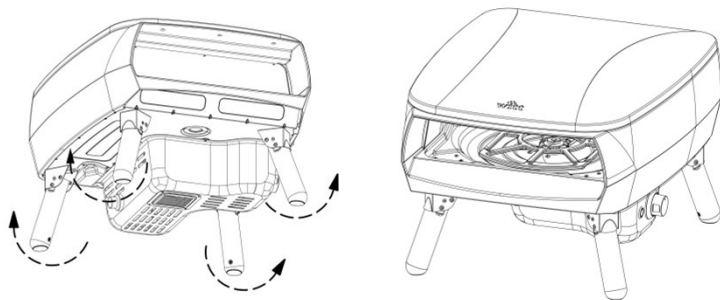
3 pavyzdys:

Atvira iš abiejų pusių: Priekis ir užpakalinė pusė



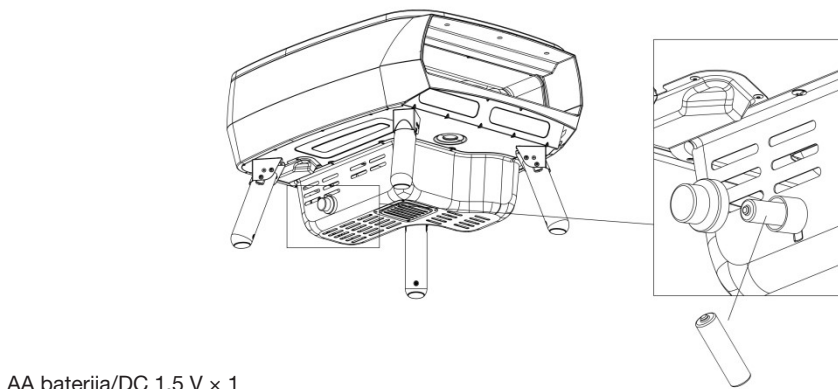
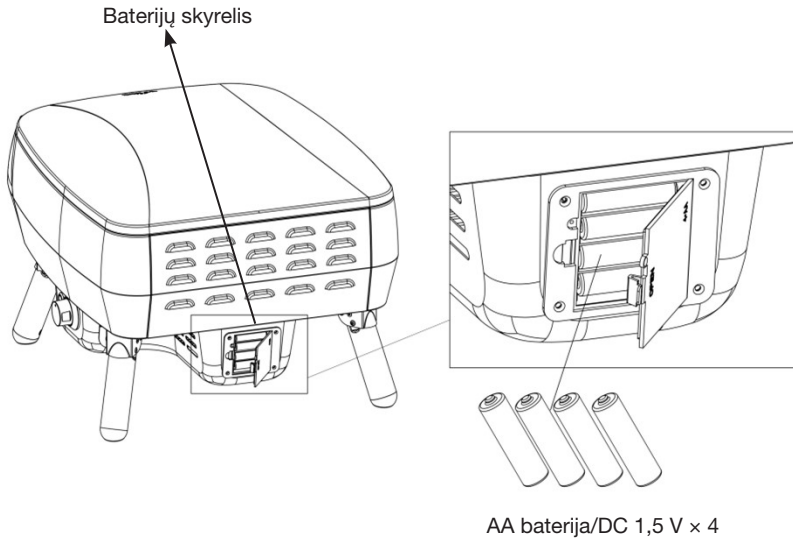
Surinkimas:

1. Pilnai išskleiskite kojas ir pastatykite picos krosnij (atkreipkite dėmesį, kad ji sveria iki 19 kg).

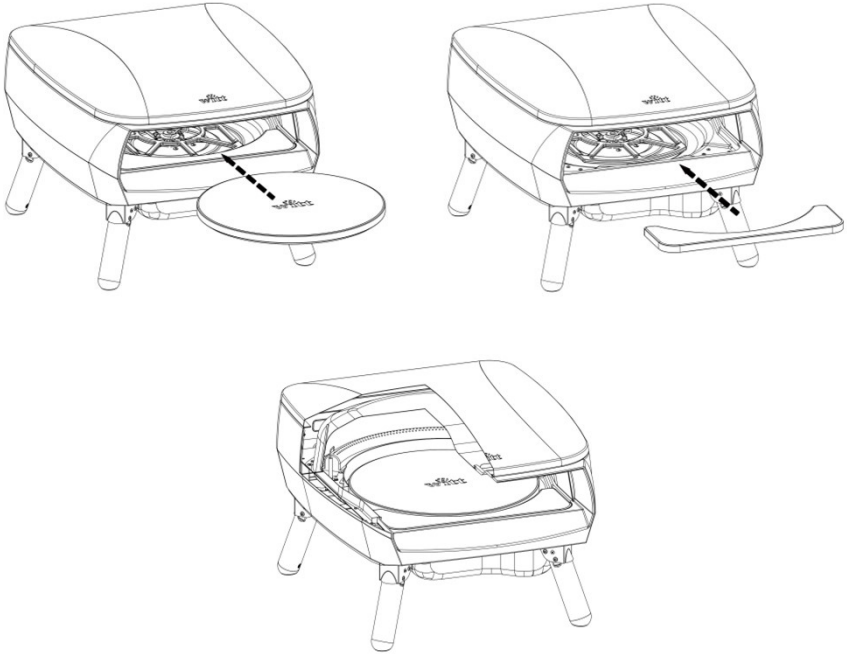


2. Atsukite elektroninio uždegimo dangtelį ir įdėkite AA bateriją. Atkreipkite dėmesį į (+) ir (-) ženklus esančius baterijų skyrelyje. Užsukite dangtelį atgal į vietą. Atidarykite baterijų skyrelį. Įdėkite keturias naujas AA baterijas ir įdėkite jas taip, kad (+) ir (-) būtų nukreipti teisinga kryptimi, kaip nurodyta.

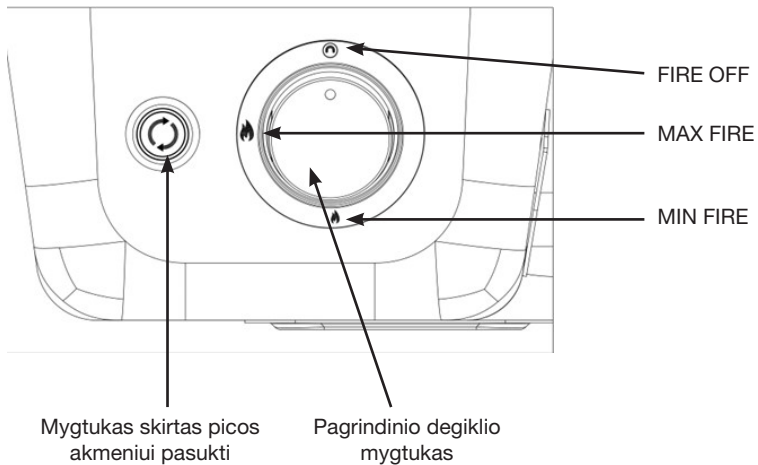
Uždarykite baterijų skyrelį.



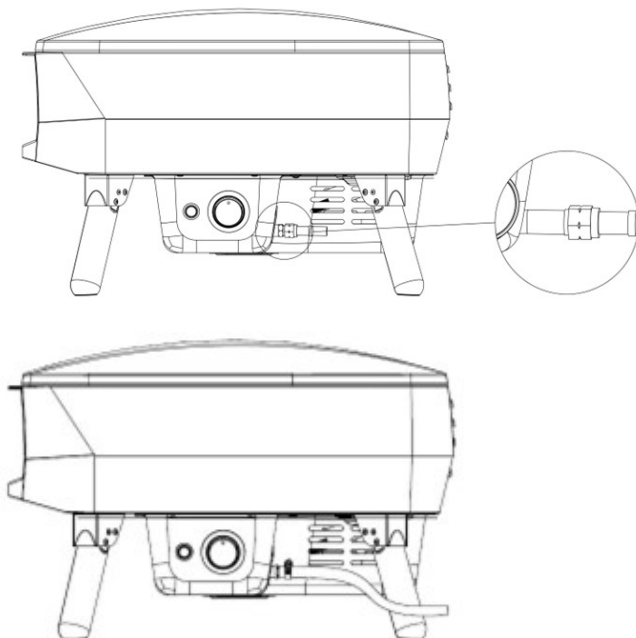
3. Nuimkite pakuotę nuo picos akmens ir įdėkite jį į picos akmens padėklą.



4. Prieš prijungdami dujų žarną įsitikinkite, kad degiklio mygtukai yra padėtyje „OFF“.



5. Prijunkite dujų žarną prie picos krosnies.

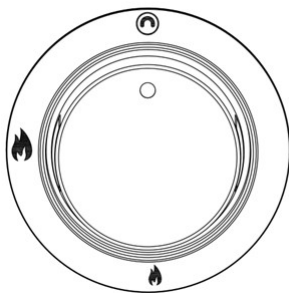


PICOS KROSNIES/UŽDEGIMO VADOVO NAUDOJIMAS

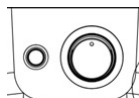
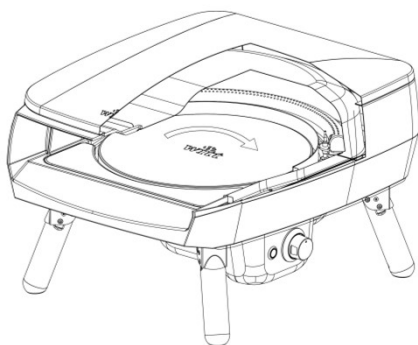
Tinkamai prijungus reguliatorių, galima įjungti dujas.

Witt PICCOLO Rotante

Norėdami uždegti degiklį: paspauskite ir vienu metu lėtai pasukite įjungimo/išjungimo mygtuką prieš laikrodžio rodyklę, kol išgirsite spragtelėjimą ir degiklis užsidegs. Tai užtruks apie 8-10 sekundžių, nes dujos turi nukeliauti per degiklio vamzdį į krosnį. Po uždegimo palaikykite nuspaudę įjungimo/išjungimo mygtuką dar 10 sekundžių, tada mygtuką atleiskite. Nustatykite degiklį taip, kaip norite. Jei degiklis neįsijungia, palikite mygtuką padėtyje „OFF“ ir palaukite penkias minutes prieš bandydami dar kartą.



Paspauskite mygtuką, kad nustatytumėte picos akmens sukimąsi.



Simbolis	Aprašymas
	Pagrindinis degiklis
	Disko pasukimas

VALYMAS IR PRIEŽIŪRA

Išorė:

- Prieš valydami išorę įsitikinkite, kad picos krosnis yra atvėrusi ir ją saugu liesti.
- Dažytas dalis, taip pat plastikinius paviršius galima nuvalyti švelniu muiluotu vandeniu ir švaria šluoste (nenaudokite šveitimo, riebalų šalinimo priemonių ar šveitimui skirtų servetėlių).
- Pirmiausia rekomenduojama išbandyti ploviklį mažesniame prietaiso plote. NIEKADA nenaudokite dažų skiediklių ar panašių tirpiklių ir NIEKADA nepilkite šalto vandens ant šiltų paviršių.
- Nuvalykite šluoste.

Vidus:

- Prieš valydami vidų įsitikinkite, kad picos krosnis yra atvėrusi ir ją saugu liesti.
- Prieš valydami išimkite apvalų picos akmenį ir priekinį akmenį
- Jei norite nuvalyti įsisenėjusius nešvarumus ar riebalus, ant drėgnos kempinės naudokite šiek tiek kepimo sodos. Nenaudokite šveitimo priemonių.

Picos akmuo:

- Picos akmuo yra skirtas naudoti tik „Witt“ picos krosnyje, jis nėra skirtas naudoti ant atviros ugnies.
- Picos akmuo yra trapus ir gali lūžti, jei bus sutrenktas arba nukris.
- Picos akmuo naudojimo metu labai įkaista ir po naudojimo ilgai išlieka karštas.
- Norėdami išvalyti picos akmenį, įkaitinkite krosnį maždaug 30 minučių, o likučius nuo picos akmens galėsite pašalinti po atvėsinimo, pavyzdžiui, naudodami „Witt“ picos krosnies šepetį.
- Picos akmuo ir priekinis akmuo tarp naudojamų turi būti laikomi sausi, nes netoleruoja drėgmės.

TRIKDŽIŲ ŠALINIMAS

Degiklis neužsidega:

Dujų vožtuvas neįjungtas.	Ijunkite vožtuvą.
Dujų balionas yra tuščias.	Pakeiskite dujų balioną nauju.
Uždegimo mygtukas neveikia.	Patikrinkite baterijas.
Uždegimo metu nėra kibirkšties.	Susisieki su aptarnavimo centru

Degiklio liepsna yra netolygi:

Liepsna dega degiklio viduje (šnabždesys).	Išjunkite degiklį ir leiskite jam atvėsti. Tada pabandykite uždegti dar kartą.
Regulatorius sugedęs.	Susisieki su aptarnavimo centru
Purkštukas iš dalies užblokuotas.	Nuvalykite purkštuką dantų šepetėliu. Negręžkite ir nenau-dokite vielos/plieninės vielos užsikimšimams pašalinti. Susisieki su aptarnavimo centru

Dujų nuotėkis tarp jungčių:

Jungtys yra atsilaisvinusios.	Priveržkite laisvas jungtis (neperveržkite) ir atlikite slėgio nuotėkio bandymą muiluotu vandeniu (žr. instrukcijas „Nuotėkio patikrinimas“ 4 puslapyje.
Žarna yra pažeista.	Pakeiskite žarną. (Susisieki su aptarnavimo centru).
Dujų vožtuvas yra sugedęs.	Susisieki su aptarnavimo centru
Jungtys/sujungimai yra pažeisti.	Susisieki su aptarnavimo centru

Picos akmuo nesisuka:

Picos akmuo nesisuka.	Išitikinkite, kad maitinimo adapterio laidas yra tinkamai prijungtas ir maitinimas yra įjungtas. Išitikinkite, kad baterijos yra tinkamai įdėtos į baterijų skyrelį. Patikrinkite, ar baterijos visiškai įkrautos ir, jei reikia, jas pakeiskite. Kad priekinis akmuo netrukdytų sukimuisi, priekinę dalį reikia pastumti į priekį iki krosnies angos.
Picos akmuo yra pažeistas.	Susisieki su aptarnavimo centru
Mygtukas/kontaktas arba laidai yra pažeisti.	Susisieki su aptarnavimo centru

GARANTIJA IR APTARNAVIMAS

SVARBU

Garantija apima medžiagas ir darbo užmokestį. Kreipdamiesi į aptarnavimo skyrių, nurodykite gaminio pavadinimą, serijos numerį ir užpildykite aptarnavimo formą adresu

<https://service.witt.dk/service/da/witt/pizzaservice.aspx>.

Šią informaciją galima rasti ant tipo ženklo. Užrašykite šiose instrukcijose nurodytą informaciją, kad turėtumėte ją po ranka. Tai padeda techninės priežiūros specialistui lengviau rasti tinkamas atsargines dalis.

Garantiniu laikotarpiu jūsų picos krosnį suremontuos įgaliotasis „Witt“ aptarnavimo centras, jei jūsų picos krosnis bus pristatyta į aptarnavimo centrą ir paimta iš jo, žr. toliau pateiktas sąlygas.

GARANTIJA

Du metai

GARANTIJA NETAIKOMA:

1. Gedimams ir pažeidimams, atsiradusiems ne dėl gamybos ar medžiagų problemų
2. Normaliam, pagrįstam nusidėvėjimui (pvz., grotelių/plokščių spalvos pasikeitimas dėl karščio).
3. Kenkėjų sukeltos žalos gaminiui atveju.
4. Naudojant neoriginalias atsargines dalis.
5. Jei nesilaikoma naudotojo vadove pateiktų nurodymų.
6. Jei prietaisas nebuvo paruoštas/surinktas taip, kaip nurodyta instrukcijoje
7. Jei gaminį sumontavo ar taisė neprofesionalai.
8. Esant rūdimis ir nešvarumams.

ŽALA TRANSPORTUOJANT

Jei gaminys yra sugadintas transportavimo metu ir tai pastebima tik pardavėjui pristatant prekę klientui, tai yra išimtinai kliento ir pardavėjo reikalas. Tais atvejais, kai klientai prekę gabeno patys, tiekėjas neatsako už galimą žalą transportavimo metu. Apie bet kokią transportavimo metu sukeltą žalą reikia pranešti nedelsiant ir ne vėliau kaip per 24 valandas nuo prekės pristatymo. Jei ne, kliento pretenzija bus atmesta.

KOMERCINIAI PIRKIMAI

Komerciniai pirkimai – tai bet koks įrenginių, kurie nėra skirti naudoti privačiuose namų ūkiuose, o skirti naudoti komerciniais tikslais (restoranuose, kavinėse, valgyklose ir pan.), pirkimai arba pirkimai, kurie yra skirti išsinuomoti ar kitaip naudoti keliems naudotojams paeiliui.

Komerciniams pirkiniams garantija nėra teikiama, nes šis gaminys yra skirtas tik įprastam naudojimui buityje.

Visi klausimai dėl paslaugų:

EL. PAŠTO ADRESAS: service@wittpizza.dk
Daugiau sužinokite apsilankę: www.wittpizza.com

EB atitikties deklaracija:

Witt Hvidevarer A/S patvirtina, kad šis priedas atitinka visus nuolatinius ir esminius reikalavimus pagal ES direktyvą 2014/53. 1935/2004. Witt Hvidevarer A/S Gødstrup Søvej 9, DK-7400 Danija. Witt US, LLC PO BOX: 1044, 800 State Route 11, Champlain, NY 12919, JAV, Witt JK ir Airija Ltd. 4 Tannery House, Tannery Lane, Send, Working, Surrey, GU23 7EF. www.witt.dk

EFNISYFIRLIT

ÖRYGGISLEIÐBEININGAR.....	163
<i>Lekapróf.....</i>	<i>164</i>
<i>Tenging á gaskút.....</i>	<i>165</i>
<i>Aftenging á gaskút.....</i>	<i>165</i>
<i>Rafhlöður.....</i>	<i>166</i>
TÆKNILEGAR UPPLÝSINGAR	167
LEIÐBEININGAR UM UPPSETNINGU UTANDYRA.....	168
<i>Samsetning:</i>	<i>169</i>
NOTKUN Á PIZZAOFNINUM/KVEIKJULEIÐBEININGAR	173
ÞRIF OG VIÐHALD	174
BILANAGREINING.....	175
ÁBYRGÐ OG ÞJÓNUSTA.....	176

ÖRYGGISLEIÐBEININGAR

Til að draga úr hættu á eldsvoða eða öðrum skemmdum verður að lesa þessa öryggisleiðbeiningar vandlega og í heild sinni áður en tækið er notað.



- **NOTIÐ EKKI** TÆKIÐ ÁÐUR EN ÞESSAR NOTKUNARLEIÐBEININGAR ERU LESNAR
- **SETJIÐ EKKI** HLUTI Á EÐA UPP VIÐ TÆKIÐ
- **GEYMIÐ EKKI** ÍÐEFNI, ELDFIM EFNI EÐA ÚÐADÓSIR NÁLÆGT TÆKINU
- **NOTIÐ EKKI** TÆKIÐ INNANDYRA
- **LEYFIÐ EKKI** FEITI/OLÍU, ÖSKU EÐA ÓBRENNDU ELDSNEYTI AÐ SAFNAST UPP Í TÆKINU Á MILLI ÞESS SEM ÞAÐ ER NOTAÐ.

- **VIÐVÖRUN:** hlutar pizzaofnsins geta verið mjög heitir!
- Aðeins til notkunar utandyra. Notið aldrei pizzaofninn í lokuðum, yfirbyggðum rýmum.
- Haldið ávallt börnum og gæludýrum frá tækinu.
- Ekki færa tækið meðan á notkun stendur.
- Slökkvið á gasveitu á gaskútum eftir notkun tækisins.
- Ekki gera breytingar á tækinu.
- Notandi má ekki gera breytingar á upprunalegum íhlutum sem framleiðandi hefur innsiglað.
- Notið alltaf grillhanska þegar heitir íhlutir eru meðhöndlaðir.
- Ekki geyma tækið innandyra nema gaskúturinn sé aftengdur. Ef tækið er skilið eftir ónotað í langan tíma skal fjarlægja það og geyma í upprunalegum umbúðum á þurrum geymslustað.

Athugið: Það verður alltaf að geyma gaskútinn utandyra á stað með góðri loftræstingu. Ekki má geyma aftengdan gaskút inni í byggingu, bílskúr eða öðru lokuðu rými! Það verður að geyma gaskúta standandi utandyra þar sem börn ná ekki til.

- **VARÚÐ:** Aðeins má framkvæma þrif og viðhald þegar ofninn hefur kólnað alveg og gaskúturinn verið aftengdur.

- Látið aldrei fatnað eða annað eldfimt efni komast í snertingu við eða of nálægt brennararum eða heitu yfirborði fyrr en tækið hefur kólnað. Það getur kviknað í efninu og valdið alvarlegum meiðslum.
- Sum gerviefni eru mjög eldfim og ætti ekki að klæðast þeim þegar ofninn er notaður. Klæðist ekki lausum flíkum eða ermum þegar ofninn er notaður.
- Undirhlíð ofnsins verður einnig mjög heit. Setjið ekki pizzaofninn á plastborð eða annað eldfimt yfirborð, dúka eða álíka.
- Pizzaofninn er ekki ætlaður til notkunar í bátum, húsbílum eða hjólhýsum.
- Gerið ekki breytingar á pizzaofninum þar sem slíkt getur valdið líkamstjóni eða skemmdum á vörunni.
- Óheimilar breytingar á pizzaofninum munu einnig leiða til þess að ábyrgðin fellur úr gildi.
- Það má ekkert hanga yfir pizzaofninum, svo sem tré eða þakbyggingar.

LEKAPRÓF:

- **ATHUGIÐ ALLAR GASTENGINGAR, TENGINGAR OG SAMSKEYTI Á TÆKINU FYRIR NOTKUN:** Þrátt fyrir að gastengingar tækisins hafi verið lekaprófaðar fyrir pökkun og sendingu, verður að framkvæma heildarprófun á uppsetningarstaðnum. Ef þú finnur einhvern tíma gaslykt skal hætta notkun pizzaofnsins strax og athuga leka í öllu kerfinu. Búið til lausn með dropa af uppvottalegi og smá vatni. Þú þarft úðaflösku, bursta eða klút til að bera lausnina á tengibúnaðinn. Berið sápulausnina á allar gastengingar. Það myndast sápukúlur á þeim stöðum þar sem leki er. Við leka skal skrífa strax fyrir gasið og herða leka hluta. Framkvæmið lekapróf í hvert skipti sem skipt er um gaskút eða ef ofninn hefur ekki verið notaður í langan tíma.
- Gangið úr skugga um að staðsetning lokans sé rétt. Gangið úr skugga um að slangan sé óskemmd.

MIKILVÆGT: ef ekki er hægt að stöðva gasleka skal skrífa fyrir gasið og hafa samband við þjónustuver.

VIÐVÖRUN: Kveikið ALDREI á brennurum á meðan skoðun á gasleka fer fram.

ATHUGIÐ: þar sem sumar prófunarlausnir, þar á meðal sápuvatn, geta valdið ryði, verður að skola allar tengingar með vatni þegar lekaprófinu er lokið.

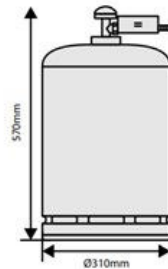
Tenging á gaskút:

- Gasveitan eða slangan verður að uppfylla gildandi kröfur og skoða reglulega og skipta um búnaðinn eftir þörfum. Slangan verður að uppfylla EN16436 staðalinn. Þrýstijafnarinn verður að uppfylla EN16129 staðalinn.

HÆTTA: Notið ekki stillanlegan þrýstijafnara (eins og þá gerð sem notuð er fyrir illgresibrennara). Hætta á sprengingu eða bruna.

- Málúttakið (gasþrýstingurinn) er 28-37 mbar og 50 mbar í Þýskalandi, Austurríki og Sviss.
- Skiptið um slitnar eða skemmdar slöngur. Gætið þess að slangan hafi hvorki kramist, klofnað eða snerti pizzaofninn nema þar sem hún er tengd.
- Á sumum svæðum getur verið að slangan og þrýstijafnarinn fylgi ekki heimilistækinu.
- Slanga tækisins ætti ekki að vera lengri en 1,5 m.
- Tengid gaskútinn við ofninn með slöngunni og þrýstijafnara. Herðið rænar varlega en ekki of mikið eða snúið upp á þær. Gætið þess að skemma ekki tengibúnað þrýstijafnarans. Gangið úr skugga um að ALLIR lokar/hnappar á ofninum séu stilltir í stöðuna SLÖKKT áður en opnað er fyrir gaskútinn.
- Það verður að halda slöngu þrýstijafnarans frá beittum hlutum og hitagjöfum.
- Áður en skipt er um gaskút: Gangið úr skugga um að skrúfað sé fyrir gasið fyrir aftengingu á slöngunni og þrýstijafnarannum frá kútnum (ekki ofninum sjálfum).
- Skiptið um sveigjanlegu slönguna samkvæmt gildandi innlendum reglum.
- Notið ekki LPG-kút sem er breiðari en 310 mm og hærrí en 570 mm.

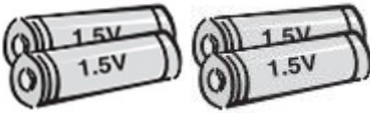
Lekapróf: Eftir ásetningu og festingu slöngunnar og þrýstijafnarans samkvæmt leiðbeiningunum er hægt að skrúfa frá gasinu. Úðið síðan á samskeytin með vatni/sápublöndu til að athuga með leka.



ATHUGID: Gangið úr skugga um að gaskúturinn sé að fullu varinn frá ofninum.

Aftenging gashylkis:

- Við aftengingu á gaskútnum: Gangið úr skugga um að hnappurinn kveikja/slökkva sé stilltur í stöðuna SLÖKKT. Gangið úr skugga um að loki kútsins sé í lokaðri stöðu. Losið þrýstijafnarann af gaskútnum og fjarlægið hann. Gætið þess að halda gaskútnum að minnsta kosti einum metra frá ofninum til að forðast hættu á íkveikju.
- Kröfur/reglur fyrir þrýstijafnara og slöngu: þrýstijafnarinn, sem notaður er með gasbrennaraofninum þínum, verður að vera CE-viðurkenndur og vera í samræmi við gildandi kröfur og reglugerðir.



Rafhlöður:

- Fargið rafhlöðum á ábyrgan hátt og geymið þær þar sem börn ná ekki til ef þau gleypa þær. **Ef barn gleypir rafhlöðu skal tafarlaust hafa samband við lækni!**
- Blandið ekki gömlum rafhlöðum saman við nýjar. Það getur valdið því að rafhlöðurnar ofhitna og leki.
- Setjið ekki einnota rafhlöður í hleðslutæki.
- Ekki má taka í sundur, kreista, gata eða skemma rafhlöður á nokkurn hátt. Það getur leitt til sprungumyndunar eða leka.
- Viðhaldið endingu rafhlaðna með því að slökkva á tækinu og taka rafhlöður úr sambandi þegar tækið er ekki í notkun – eða ekki búist við að það verði notað – í langan tíma.
- Notið viðeigandi rafhlöðugerð (5 x AA rafhlöður).
- Setjið rafhlöðurnar rétt í. Gangið úr skugga um að skaut (- og +) rafhlaðanna snúi rétt.
- Fjarlægið tómar rafhlöður strax úr tækinu og fargið þeim á öruggan og réttan hátt í samræmi við reglur. Ekki henda rafhlöðum í ruslið, þeim á að farga á næstu endurvinnslustöð.

TÆKNILEGAR UPPLÝSINGAR

Gerðarnúmer	Viðtökuland	Heildarhitun	Brennarar	Merking á spiss/stærð	Flokkar	Gastegundir
Witt PICCOLO Rotante	BE, CH, CY, CZ, ES, FR, GB, GR, IE, IT, LT, LU, LV, PT, SI, SK, TR, IL	5,2 kw	1	Φ 1,12 mm	I 3+(28-30/37)	G30 Bútan 28-30 mbar G31 Própan 37 mbar
	BE, BG, CY, CZ, DK, EE, FI, GB, HR, HU, IT, LT, LU, SI, MT, NL, NO, RO, SE, KE, IS	5,2 kw	1	Φ 1,12 mm	I 3B/P(30)	G30 Bútan eða G31 Própan 30 mbar
	AT, CH, DE, SK	5,2 kw	1	Φ 1,06 mm	I 3P(50)	G31 Própan 50 mbar
	PL	5,2 kw	1	Φ 1,12 mm	I 3P(37)	G30 Bútan eða G31 Própan 37 mbar

Upplýsingar um vöru	Witt PICCOLO Rotante
Mál	650 × 535 × 440
Þyngd NW/GW	19 / 26

PIN CODE: 1336DO050

LEIÐBEININGAR FYRIR UPPSETNINGU UTANDYRA

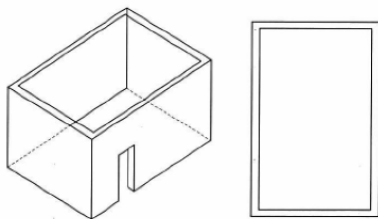
Pizzaofninn er eingöngu ætlaður til notkunar utandyra og má aðeins nota hann á vel loftræstum stað, fjarri eldfimum efnum.

Notið ALDREI pizzaofninn innandyra, í bílskúrum, veröndum, skúrum eða á öðrum lokuðum svæðum. Pizzaofninn er ekki ætlaður til notkunar í bátum, húsbílum eða hjólhýsum og ekki má setja hann nálægt eða undir yfirborð sem getur brennst eða er viðkvæmt fyrir hita. Hindrið ekki loftflæði og bruna í kringum pizzaofninn þegar hann er í notkun. Þörf er á fullnægjandi loftræstingu fyrir örugga og rétta virkni og afkastagetu pizzaofnsins. Það er líka öruggara fyrir notandann og aðra á svæðinu þar sem pizzaofninn er notaður. Pizzaofninn má ALDREI nota í lokuðum, yfirbyggðum rýmum.

Eins og sýnt er að neðan verður að setja pizzaofninn upp utandyra þar sem opið er fyrir að minnsta kosti tvær hliðar eða að ofan. Það er mikilvægt að gas geti borist út og í burtu ef gasleki á sér stað svo sprenging eigi sér ekki stað.

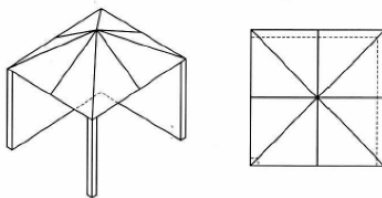
Dæmi 1:

Loftræsting frá opnu þaki og opinni hurð



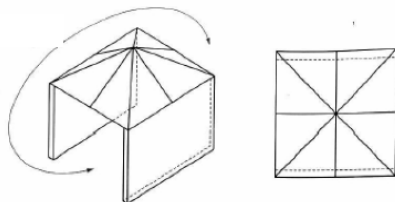
Dæmi 2:

Opið á báðum hliðum: Framan og hægri



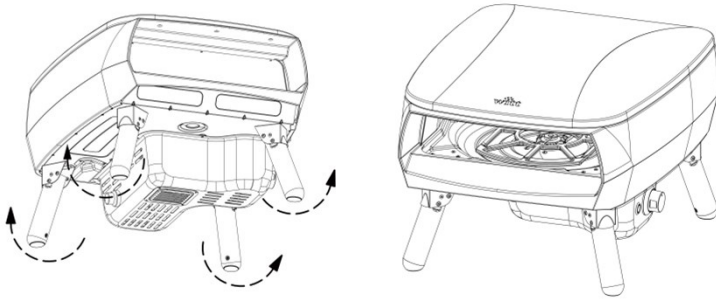
Dæmi 3:

Opið á báðum hliðum: Framan og aftan



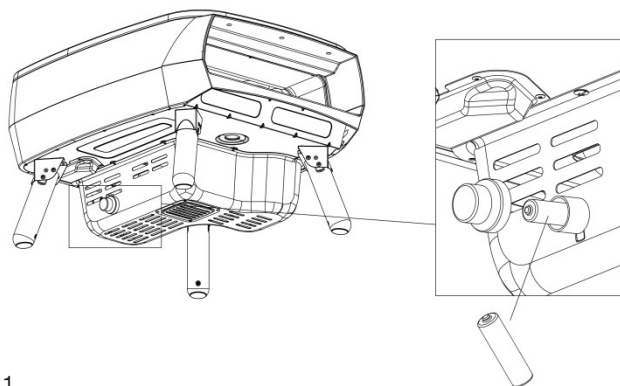
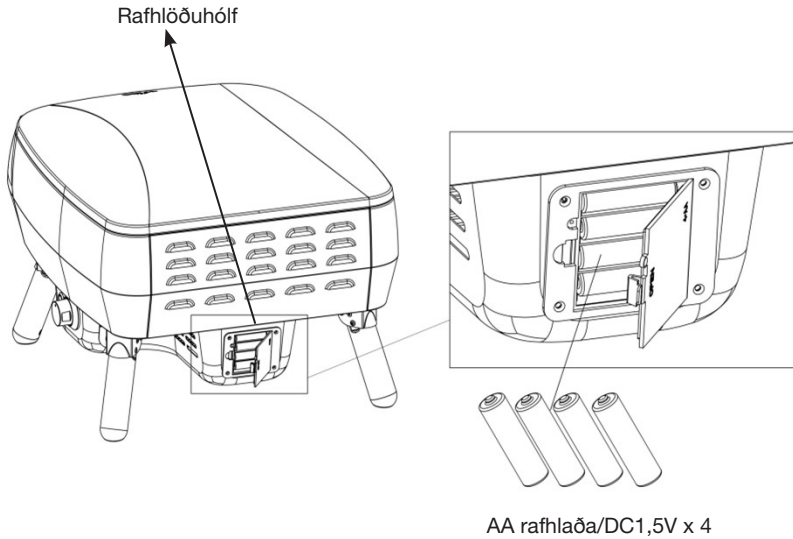
Samsetning:

1. Setjið fæturla alveg út og látið pizzaofninn standa (athugið að hann vegur allt að 19 kg).

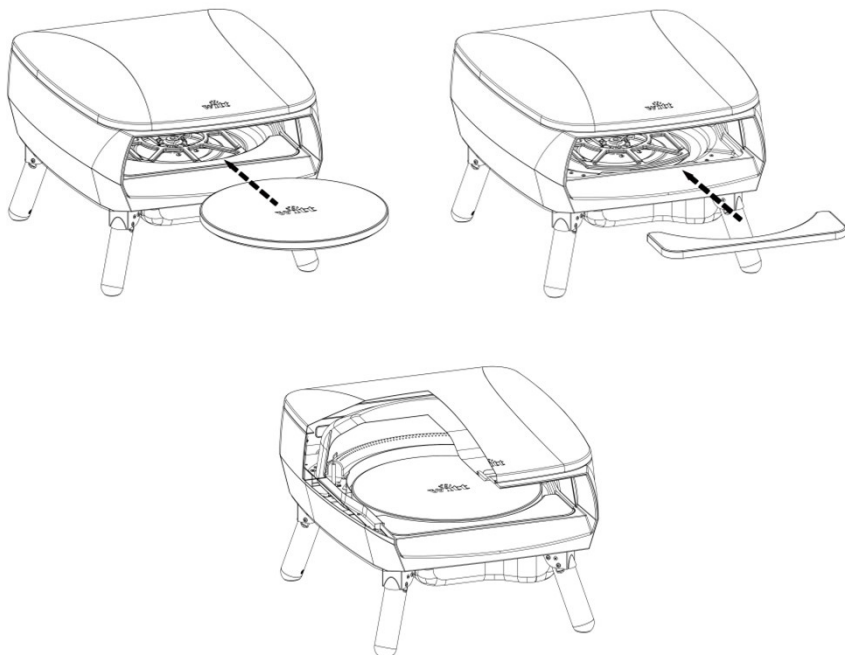


2. Skrúfið hlíf rafknúnu kveikjunnar af og setjið AA rafhlöðu í. Gætið að (+) og (-) merkingum í rafhlöðuhólfinu. Skrúfið hlífina aftur á sinn stað. Opnið rafhlöðuhólfið. Setjið fjórar nýjar AA rafhlöður í og setjið rafhlöðurnar þannig í að (+) og (-) vísi í rétta átt í samræmi við leiðbeiningar.

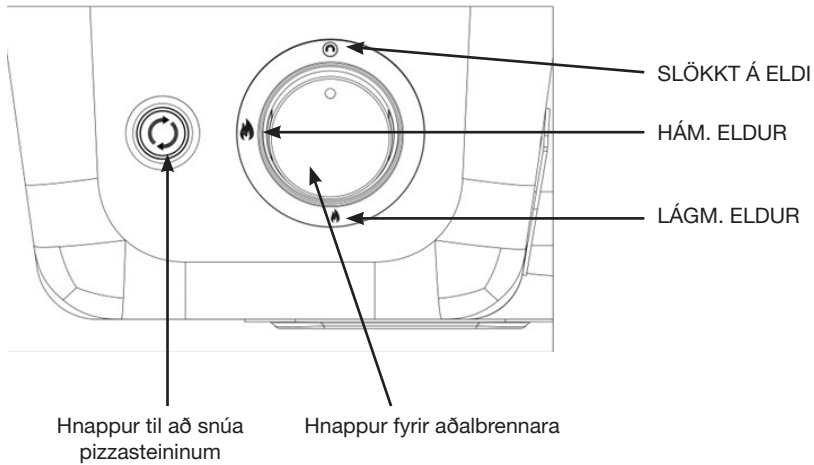
Lokið rafhlöðuhólfinu.



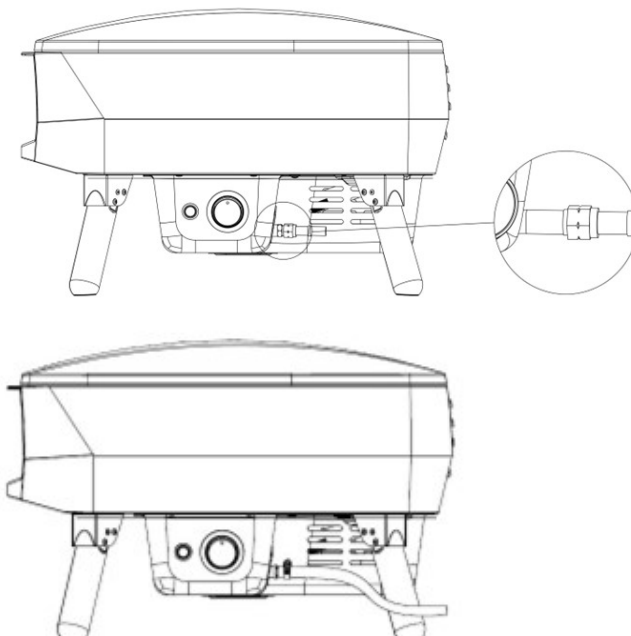
3. Fjarlægið umbúðirnar af pizzasteininum og komið bakka pizzasteinsins fyrir.



4. Gangið úr skugga um að brennarhapparnir séu í stöðunni **SLÖKKT** áður en gasslangan er tengd.



5. Tengid gasslönguna við pizzaofninn.

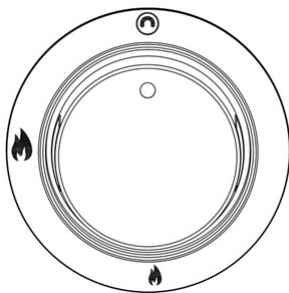


NOTKUN Á PIZZAOFNINUM / KVEIKJULEIÐBEINGAR

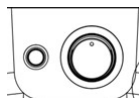
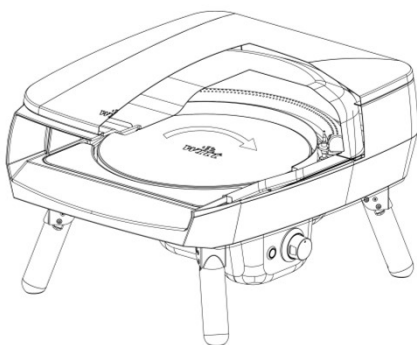
Pegar þrýstijafnarinn er rétt tengdur er hægt að skrúfa frá gasinu.



Witt PICCOLO Rotante

Til að kveikja á brennarinum: ýtið á og snúið á sama tíma hnappinum kveikja/slökkva hægt rangsælis þar til smellur heyrst og það kviknar á brennarinum. Það mun taka um 8-10 sekúndur, þar sem gasið þarf að fara í gegnum brennararörið að ofninum. Haldið áfram hnappinum kveikja/slökkva inni í 10 sekúndur í viðbót eftir kveikingu og sleppið svo hnappinum. Stillið brennarann eftir þörfum. Ef ekki kviknar á brennarinum skal setja hnappinn í stöðuna SLÖKKT og bíða í fimm mínútur áður en reynt er aftur.



Ýtið á hnappinn til að stilla snúning pizzasteinsins.



Tákn	Lýsing
	Aðalbrennari
	Snúanlegur

Að utanverðu:

- Gangið úr skugga um að pizzaofninn hafi kólnað og að óhætt sé að snerta hann áður en hann er þrífinn að utan.
- Þrifa má málaða hluta sem og plastfleti með mildu sápuvatni og hreinum klút (ekki nota ræstiduft eða fituleysi eða stálull).
- Mælt er með því að prófa hreinsiefnið fyrst á minna svæði á tækinu. Notið ALDREI málingarþynna eða álíka leysiefni og hellið ALDREI köldu vatni á heitt yfirborð.
- Þurrkið af með klút.

Að innanverðu:

- Gangið úr skugga um að pizzaofninn hafi kólnað og að óhætt sé að snerta hann áður en hann er þrífinn að innan.
- Fjarlægjið kringlóttu pizzasteininn og framsteininn fyrir þrif
- Til að þrifa erfið óhreinindi eða fitu skal nota smá matarsóða á blautum svampi. Ekki nota ræstiduft.

Pizzasteinn:

- Pizzasteinninn er eingöngu ætlaður til notkunar í Witt-pizzaofni, hann er ekki ætlaður til notkunar yfir opnum eldi.
- Pizzasteinninn er viðkvæmur og getur brotnað ef slegið er í hann eða hann dettur.
- Pizzasteinninn verður mjög heitur við notkun og helst heitur í langan tíma eftir notkun.
- Til að þrifa pizzasteininn skal hita ofninn í um það bil 30 mínútur og hægt er að fjarlægja leifar af pizzasteininum eftir að hann hefur kólnað með til dæmis með Witt pizzaofnburstanum.
- Pizzastein og framstein á að geyma þurr á milli notkunar þar sem hann polir ekki raka.

BILANAGREINING

Það kviknar ekki á brennar anum:

Ekki er skrófað frá gaslokanum.	Skrúfið frá lokanum.
Gaskúturinn er tómur.	Skiptið gaskútnum út fyrir nýjan.
Kveikjuhappurinn virkar ekki.	Athugið rafhlöðuna.
Enginn neisti myndast við kveikingu.	Hafðu samband við þjónustudeildina

Logi brennarans er óreglulegur:

Logi brennur inni í brennar anum (hvíslhjöld).	Slökkvið á brennar anum og látið hann kólna. Reynið svo að kveikja upp aftur.
Prýstijafnarinn er bilaður.	Hafðu samband við þjónustudeildina
Spiss er stíflaður að hluta.	Hreinsið spissinn með tannbursta. Hvorki má bora út götin né nota vír/stálvír til að fjarlægja stíflur. Hafðu samband við þjónustudeildina

Gasleki á milli samskeyta:

Tengingar eru lausar.	Herðið lausar tengingar (herðið ekki of mikið) og framkvæmið þrýstingslekapróf með sápuvatni (sjá leiðbeiningar í „Lekapróf“ á blaðsíðu 4.
Slangan er skemmd.	Skiptið um slönguna. (Hafið samband við þjónustuver).
Gasventillinn er bilaður.	Hafðu samband við þjónustudeildina
Skemmdir á tengingum/samskeytum.	Hafðu samband við þjónustudeildina

Pizzasteinninn snýst ekki:

Pizzasteinninn snýst ekki.	Gangið úr skugga um að snúra straumbreytisins sé rétt tengd og að kveikt sé á rafmagni. Gangið úr skugga um að rafhlöðurnar séu rétt settar í rafhlöðuhólf. Athugið hvort rafhlöðurnar séu fullhlaðnar og skiptið um þær ef þörf krefur. Til að tryggja að framsteinninn hindri ekki snúning verður að ýta framhlöðinni fram á opið á ofninum.
Pizzasteinninn er skemmdur.	Hafðu samband við þjónustudeildina
Skemmdir á hnappi/snertu eða snúru.	Hafðu samband við þjónustudeildina

ÁBYRGÐ OG ÞJÓNUSTA

MIKILVÆGT

Ábyrgðin nær yfir efniskostnað og laun. Þegar þú hefur samband við þjónustudeildina skal gefa upp nafn, raðnúmer vörunnar og fylla út þjónustueyðublaðið á

<https://service.witt.dk/service/da/witt/pizzaservice.aspx>.

Þessar upplýsingar má finna á gerðarmerkinu. Skrifðu niður upplýsingarnar í þessum leiðbeiningum þannig að þú hafir þær við höndina. Það auðveldar tæknimanninum að finna rétta varahluti.

Á ábyrgðartímanum verður gert við pizzaofninn þinn á viðurkenndri þjónustumiðstöð Witt, að því gefnu að pizzaofninn þinn sé afhentur og sóttur til þjónustumiðstöðvarinnar, sjá skilmála og skilyrði hér að neðan.

ÁBYRGÐ

Tvö ár

ÁBYRGÐIN NÆR EKKI YFIR:

1. Bilanir og skemmdir sem eru ekki vegna framleiðslu- eða efnisvandamála
2. Eðlilegt, hæfilegt slit (t.d. hitaupplitan á rist/plötum).
3. Skemmdir á vörunni af völdum meindyra.
4. Ef notaðir eru óupprunalegir varahlutir.
5. Ef leiðbeiningunum í notendahandbókinni hefur ekki verið fylgt.
6. Ef tækið hefur ekki verið sett upp/sett saman eins og tilgreint er í leiðbeiningunum
7. Ef aðrir en fagmenn hafa sett upp eða gert við vöruna.
8. Ryð og blettir.

FLUTNINGSSKEMMDIR

Ef varan skemmist við flutning og það kemur fyrst í ljós þegar söluaðili afhendir vöruna til viðskiptavinar er það eingöngu mál á milli viðskiptavinar og söluaðila. Í þeim tilvikum, sem viðskiptavinir hafa flutt vöruna sjálfir, ber birgir ekki ábyrgð á hugsanlegu tjóni við flutning. Tjón af völdum flutnings skal tilkynna tafarlaust og eigi síðar en 24 klukkustundum eftir að varan hefur verið afhent. Ef ekki, verður kröfu viðskiptavinar hafnað.

KAUP Í ATVINNUSKYNI

Kaup í atvinnuskyni eru öll kaup á tækjum sem ekki eru ætluð til notkunar á einkaheimilum heldur til notkunar í atvinnuskyni (á veitingahúsum, kaffihúsum, mötuneytum o.s.frv.) eða ætluð til útleigu eða á annan hátt notað af mörgum notendum til skiptis.

Engin ábyrgð er tekin á kaupum í atvinnuskyni, þar sem þessi vara er eingöngu ætluð til venjulegrar heimilisnotkunar.

Allar beiðnir um þjónustu:

NETFANG: service@wittpizza.dk
Frekari upplýsingar á: www.wittpizza.com

Samræmisyfirlýsing EB:

Witt Hvidevarer A/S staðfestir hér með að eftirfarandi aukabúnaður uppfyllir allar varanlegar og grunnkröfur samkvæmt tilskipun ESB 2014/53. 1935/2004. Witt Hvidevarer A/S Gødstrup Søvej 9, DK-7400 Danmörk. Witt US, LLC PO BOX: 1044, 800 State Route 11, Champlain, NY 12919, USA, Witt UK & Ireland Ltd. 4 Tannery House, Tannery Lane, Send, Working, Surrey, GU23 7EF. www.witt.dk

